

RoHS Compliance

NOTE:

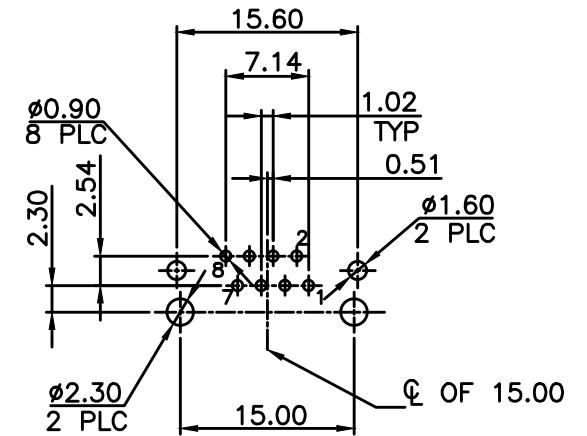
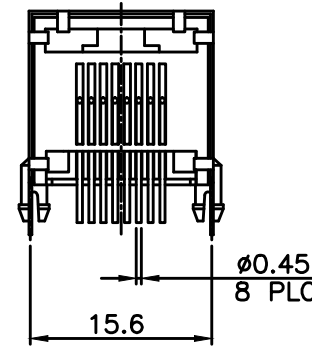
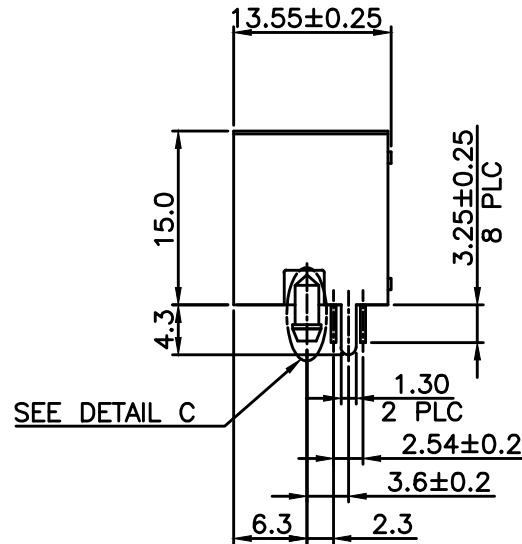
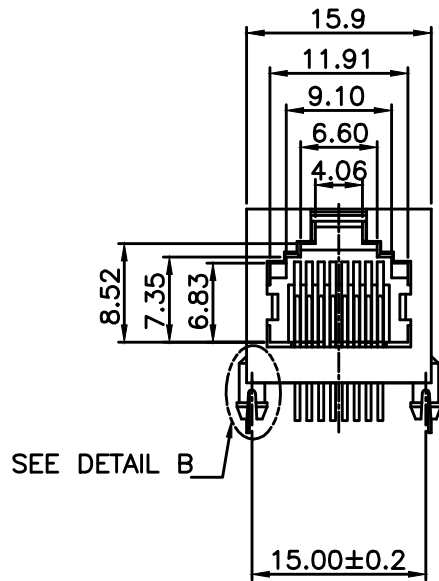
CAVITY CONFIRMS TO FCC RULES AND REGULATIONS PART 68, SUBPART F.

1. MATERIAL:

HOUSING: PBT, WITH GLASS FIBER,
UL 94V-0, STANDARD COLOR-BLACK.
CONTACTS: PHOSPHOR BRONZE.
SHELL: BRASS.

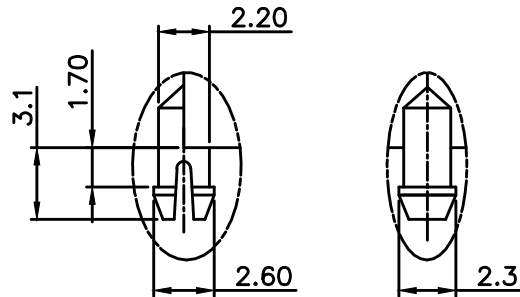
2. FINISH:

CONTACTS: 15U" GOLD PLATED ON ENTIRE CONTACT,
1.27μm [50μ"] MIN. NICKEL UNDERPLATED
ALL OVER.
SHELL: 0.508μm [20μ"] MIN. NICKEL PLATED.

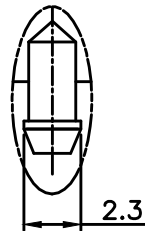


RECOMMENDED PCB LAYOUT

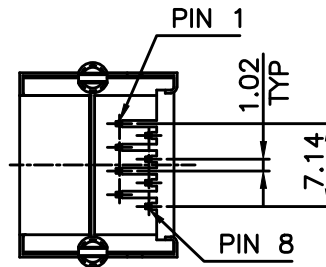
RECOMMENDED PCB THICKNESS: 1.6mm
TOLERANCE: ±0.05 (TOP VIEW)



DETAIL B
(SCALE 2:1)



DETAIL C
(SCALE 2:1)



THIS DRAWING IS A CONTROLLED DOCUMENT. DO NOT SCALE DRAWING.	
DIMENSIONS: MM	TOLERANCES UNLESS OTHERWISE SPECIFIED:
	0 PLC ± -
	1 PLC ± 0.25
	2 PLC ± 0.13
	3 PLC ± 0.05
THIRD ANGLE PROJECTION	ANGLES ± -
MATERIAL SEE NOTES	FINISH SEE NOTES
DWN <i>A.HUANG</i>	DATE AUG-10-2010
CHK <i>M.CHANG</i>	DATE AUG-10-2010
APVD <i>W.J.YANG</i>	DATE AUG-11-2010

XMULTIPLE

TITLE
RJ45, MINI LOW PROFILE,
WITH SHELL, SIDE ENTRY PCB JACK

LTR	DESCRIPTION	DATE	APVD
REVISIONS			

SIZE A4	CAUSE CODE -	DRAWING NO XMM-9612-8811-SA-C
WEIGHT -	GRAMS Ref.	REV 5 SHEET 1