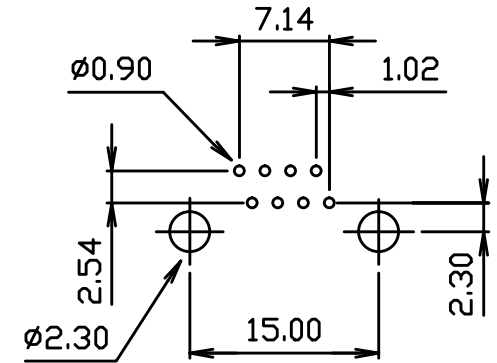
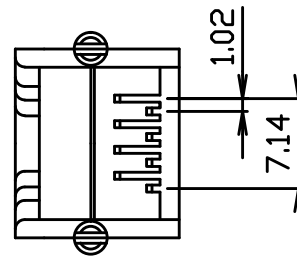
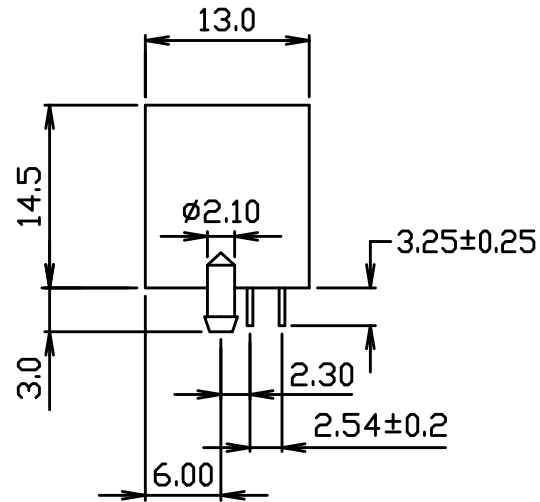
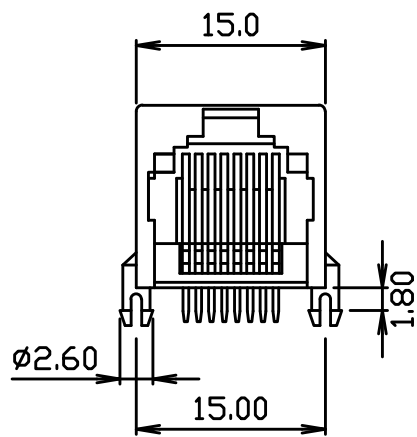
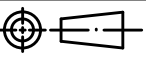


MATERIAL: HOUSING-PBT POLYESTER PHOS-BRONZE
 MIXED GLASS FIBER
 STANDARD COLOR-GRAY.
 CONTACTS-0.45mm DIAMETER PHOS-BRONZE
 PLATED WITH 15U' HARH GOLD.
 CAVITY CONFIRMS TO FCC RULES AND REGULATIONS
 PART68,SUBPART F.



PC Board Layout

DO NOT SCALE DRAWING	TOLERANCES UNLESS OTHERWISE NOTED	INCH	MM	DR. M.L.HUANG	DATE OCT-20 '00	<i>XMULTIPLE</i>		
 THIRD ANGLE PROJECTION	LINEAR MM INCH	00 ± .01 000 ± .005 0000 ± .002	0.0 ± 0.25 0.00 ± 0.13 0.000 ± 0.05	CK'D M.CHANG	OCT-20 '00			
MM INCH	ANGLE ± 0° 30'	RADII	+ 0.40 - 0.15	APP'D		SCALE SIZE DWG.NO. XMM-9612-8811-AVY	REV. 1	SHEET 1