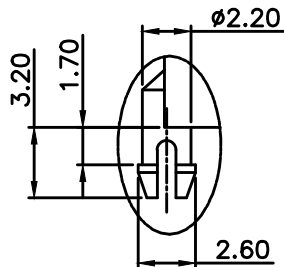
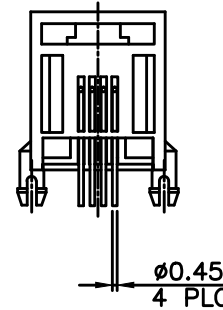
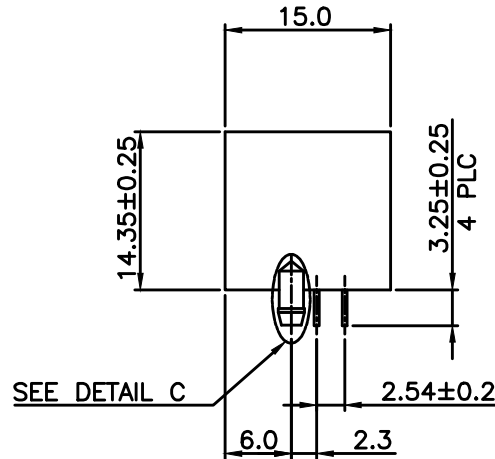
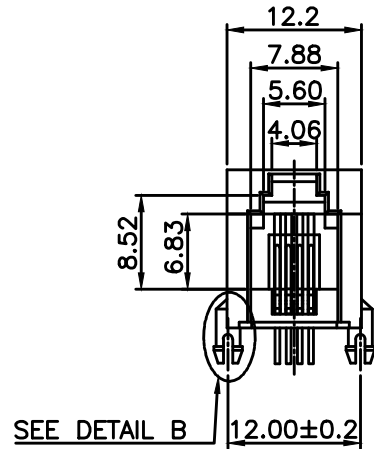


# RoHS Compliance

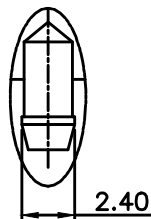
NOTE:

CAVITY CONFIRMS TO FCC RULES AND REGULATIONS PART 68, SUBPART F.

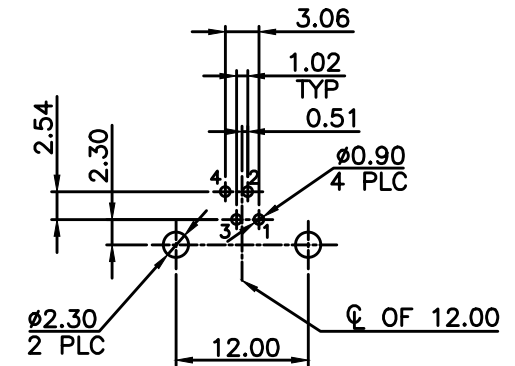
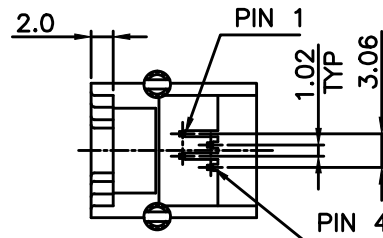
1. MATERIAL:  
HOUSING: PBT OR PA6T OR PA46, WITH GLASS FIBER, UL 94V-0, STANDARD COLOR-GRAY.  
CONTACTS: PHOSPHOR BRONZE.
2. FINISH:  
CONTACTS: 15u" GOLD PLATED ON ENTIRE CONTACT, 1.27μm [50μ"] MIN. NICKEL UNDERPLATED ALL OVER.



DETAIL B  
(SCALE 2:1)



DETAIL C  
(SCALE 2:1)



RECOMMENDED PCB LAYOUT  
RECOMMENDED PCB THICKNESS: 1.6mm  
TOLERANCE: ±0.05 (TOP VIEW)

THIS DRAWING IS A CONTROLLED DOCUMENT. DO NOT SCALE DRAWING.			
DIMENSIONS: MM		TOLERANCES UNLESS OTHERWISE SPECIFIED:	
 THIRD ANGLE PROJECTION		0 PLC	± -
		1 PLC	± 0.25
MATERIAL		FINISH	
SEE NOTES		SEE NOTES	
DWN	A.HUANG	DATE	JAN-29-2010
CHK	M.CHANG	DATE	JAN-29-2010
APVD	W.J.YANG	DATE	JAN-30-2010

# XMULTIPLE

TITLE  
6\*4POSITION, LOW PROFILE,  
SIDE ENTRY PCB JACK

LTR	DESCRIPTION	DATE	APVD
REVISIONS			

SIZE	CAUSE CODE	DRAWING NO
A3	-	XMM-9604-4411-C-AVY
WEIGHT	- GRAMS Ref.	REV 3 SHEET 1