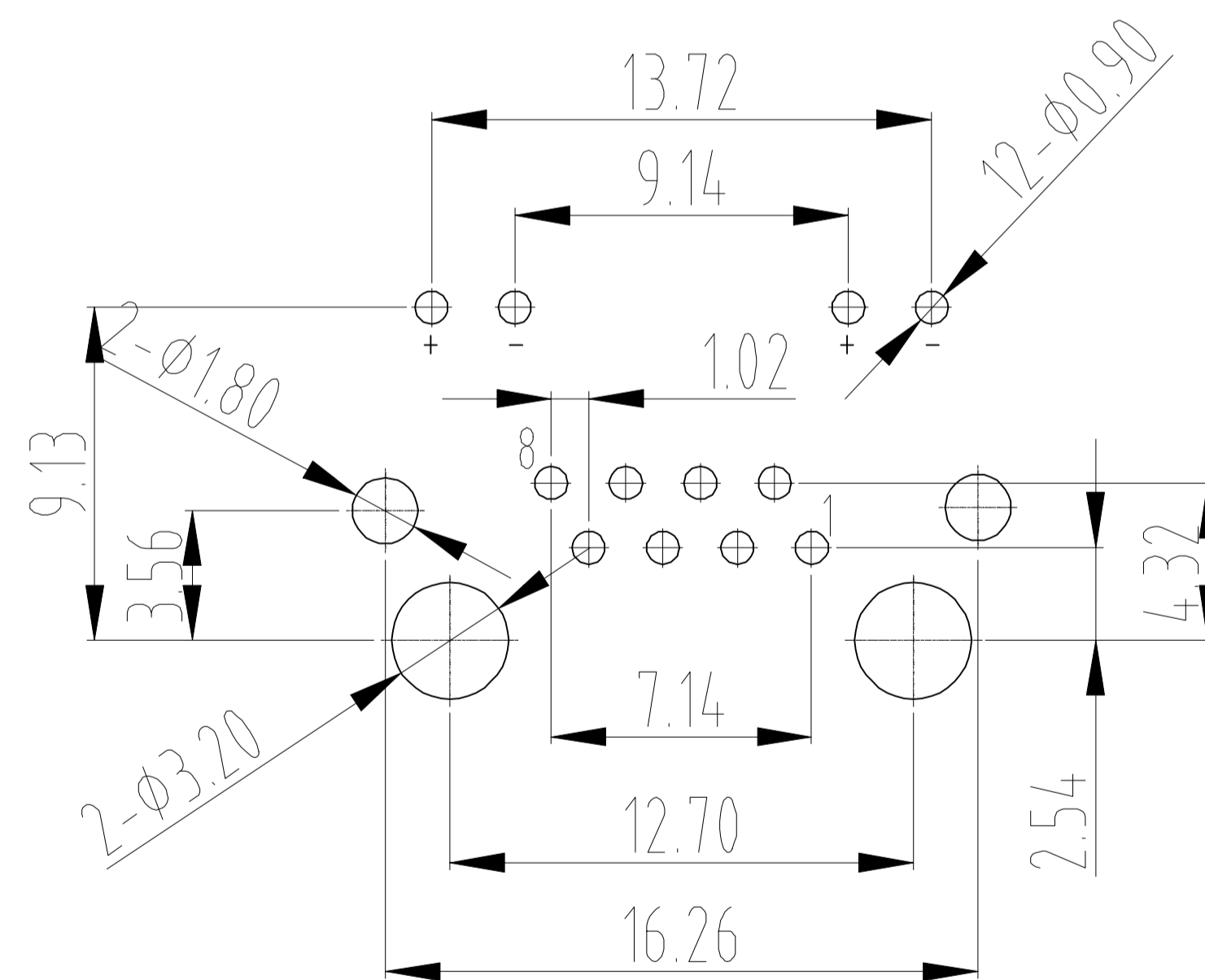
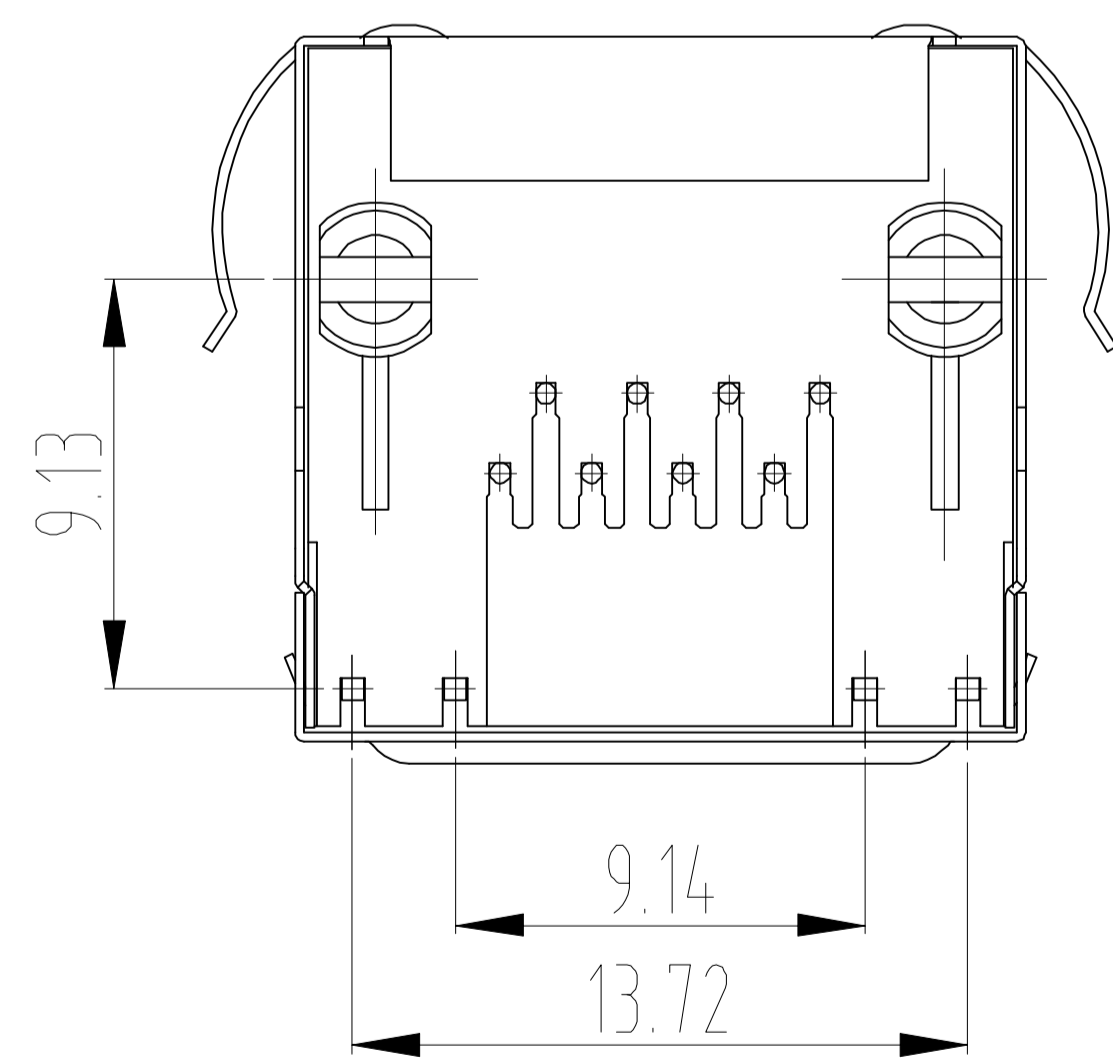
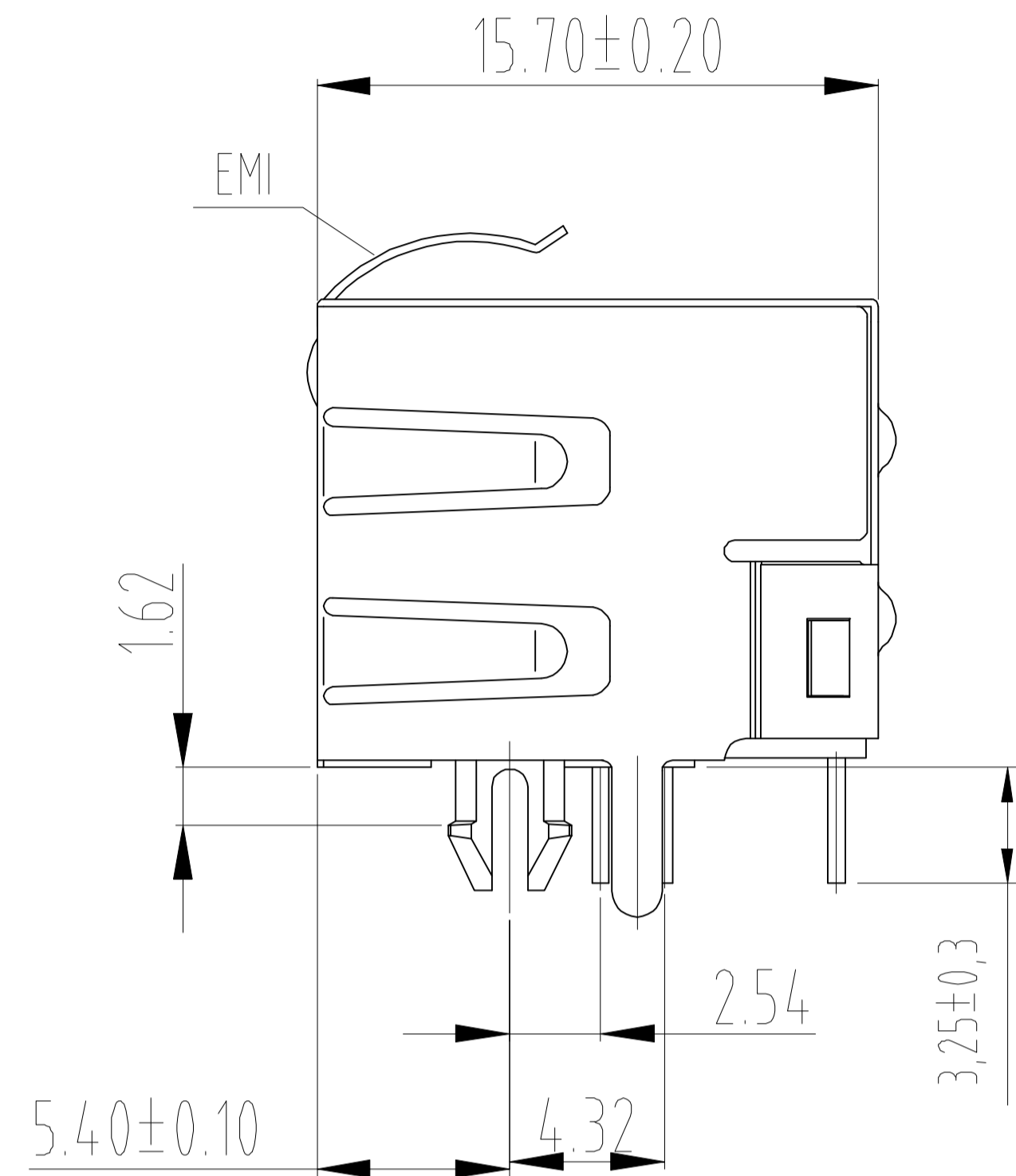
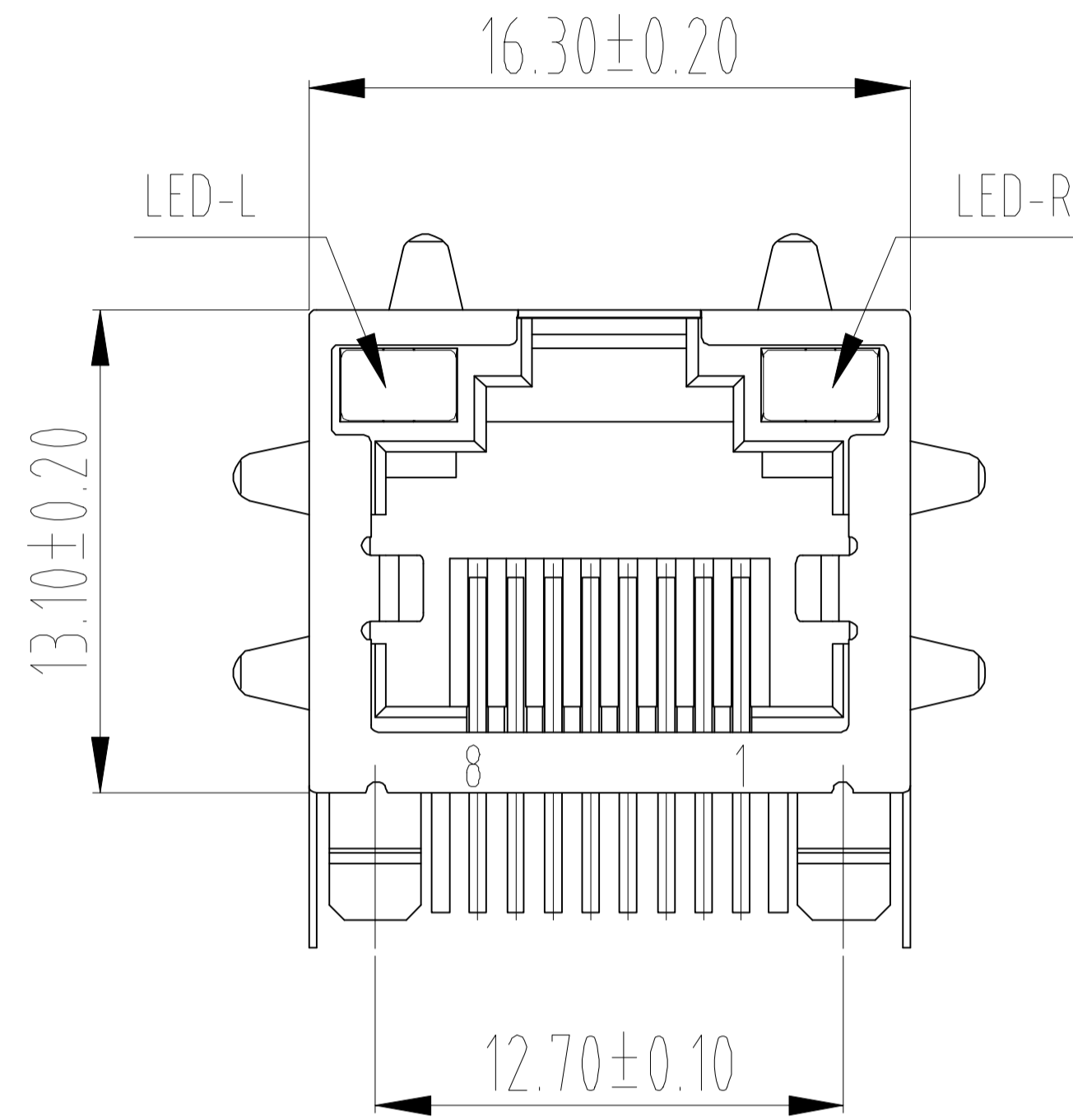


1. Mechanicals:

Part Number:

XMM-5JA881X11101



PCB LAYOUT/TOP VIEW

MATERIAL:

- 1. HOUSING : GLASS FILLED POLYESTER UL94V-0
- 2. CONTACT : PHOSPHOR BRONZE =0.3mm GOLD PLATING OVER NICKEL
- 3. SHIELD : 0.20mm THICKNESS COPPER ALLOY WITH NICKEL PLATED.

ELECTRICAL:

- 1. VOLTAGE RATING : 125V AC.
- 2. CURRENT RATING : 1.5AMP
- 3. CONTACT RESISTANCE : 30 MILLIOHMS MAX.
- 4. INSULATION RESISTANCE : 50D MEGOHMS MIN @ 500V DC.
- 5. DIELECTRIC WITHSTANDING VOLTAGE : 1000V AC RMS 50Hz OR 60Hz. 1MIN

MECHANICAL:

- 1. INSERTION FORCE : 2.2Kg MAX.
- 2. RETENTION STRENGTH : 7.7Kg BETWEEN JACK AND PLUG
- 3. DURABILITY : 750 CYCLES MINI.

ENVIRONMENTAL:

- 1. STORAGE : -40°C+85°C
- 2. OPERATION : 0°C TO 70°C

RoHS Compliant

		CONNECTING THE INFORMATION AGE	
Xmultiple Technologies, Inc. 1060 Los Angeles Avenue Simi Valley, CA 93065			G/NO:
THIS DRAWING IS A CONTROLLED DOCUMENT.			DWG NO:
TITLE: RJ45 Connectors, With LED, Shielded/Thru Hole			DRAWING: MIN DING
PART NO: XMM-5JA881X11101			CHKD: Michael Lin
		UNIT: mm[inch]	SHEET: 2 of 2
		REV: 01	DATE: 2012/9/03