

NOTES:

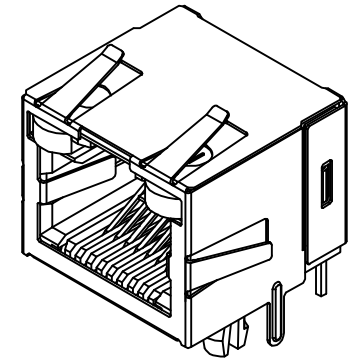
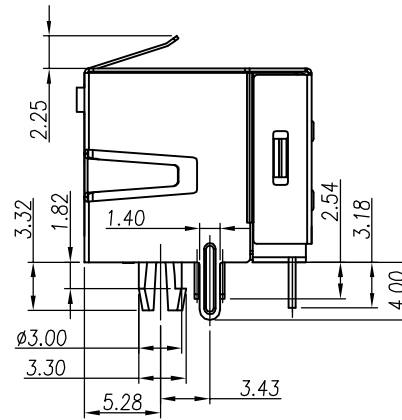
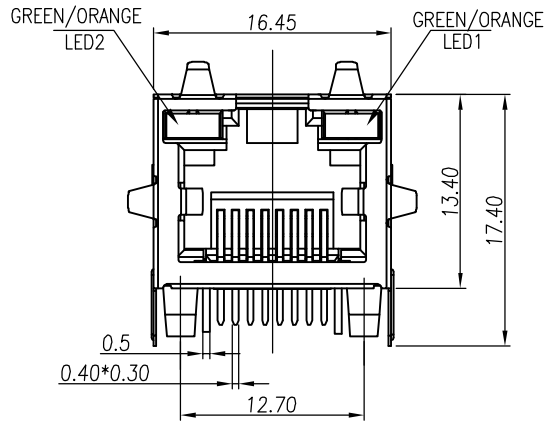
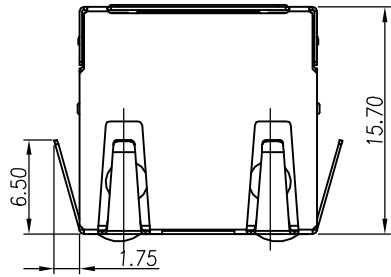
1. MATERIALS:

HOUSING: HIGH TEMP. THERMOPLASTIC, PBT, UL 94V-0  
 CONTACTS: T=0.30PHOSPHOR BORNZE, NICKEL UNDERPLATE  
 ON ALL AREA, TIN ON TERMINATION END,  
 HARD GOLD PLATED WITH 30u" ON CONTACT AREA.

SHIELD: SUS T=0.20mm, PLATED WITH NICKEL.

2. OPERATING TEMPERATURE: -40°C ~ +85°C

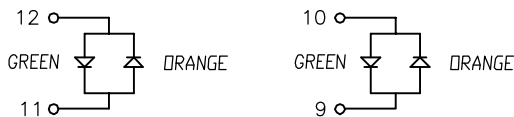
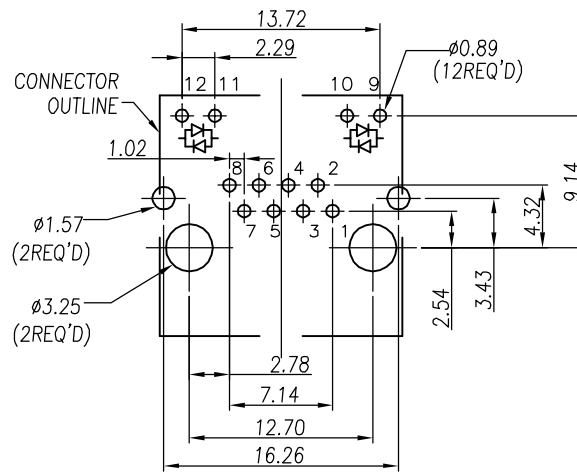
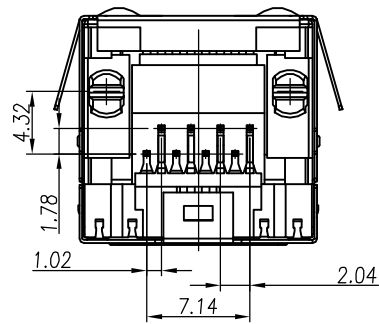
3. JACK CAVITY CONFORMS TO FCC RULES AND REGULATIONS PART 68, SUBPART F



PART NO:

XMM-01-G-C-A-7-0-PB-0

B: Housing color is Black  
 7: PLATED 30U"  
 LED COLOR: Left GREEN/ORANGE Right GREEN/ORANGE



SUGGESTED PCB LAYOUT  
 (TOP VIEW)  
 DIMENSIONAL TOLERANCE: .XX ±0.05

RoHS Compliant

X MULTIPLE			CONNECTING THE INFORMATION AGE	
Xmultiple Technologies, Inc. 1060 Los Angeles Avenue Simi Valley, CA 93065				G/NO:
THIS DRAWING IS A CONTROLLED DOCUMENT.				DWG NO: XMM-01-G-C-A-7-0-PB-0
TITLE: RJ45 CONNECTOR 1*1Port W/ LED, 8P8C, W/ Spring Shielded/Thru Hole				DRAWN: Ivy Li
PART NO: XMM-01-G-C-A-7-0-PB-0				CHKD: Michael
UNIT		SHEET	REV	DATE:
mm[inch ]		1 of 1	01	2012/03/02