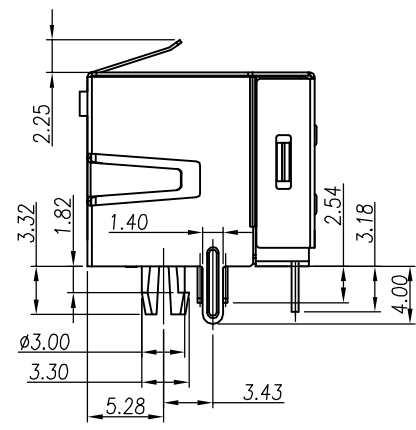
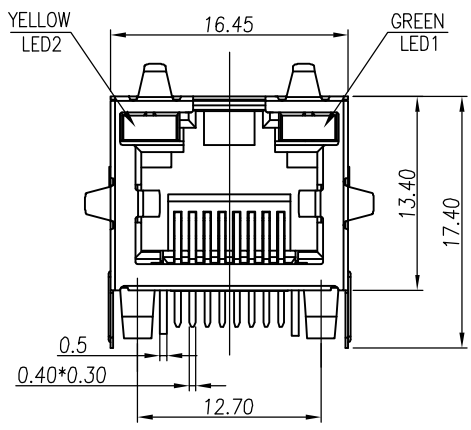
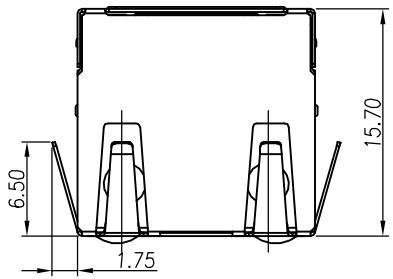


1 2 3 4 5 6 7 8

NOTES:

- 1. MATERIALS:
 HOUSING: HIGH TEMP. THERMOPLASTIC, PBT, UL 94V-0
 CONTACTS: T=0.30PHOSPHOR BORNZE, NICKEL UNDERPLATE
 ON ALL AREA, TIN ON TERMINATION END,
 HARD GOLD ON CONTACT AREA.
 SHIELD: SUS T=0.20mm,PLATED WITH NICKEL.
- 2. OPERATING TEMPERATURE: -40L ~ +85L
- 3. JACK CAVITY CONFORMS TO FCC RULES AND REGULATIONS PART 68, SUBPART F

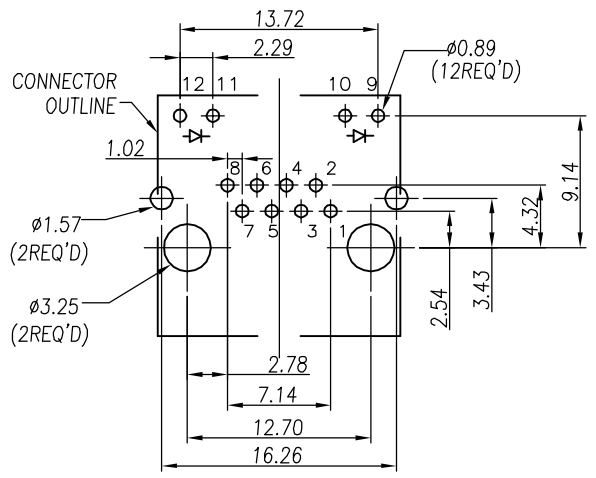
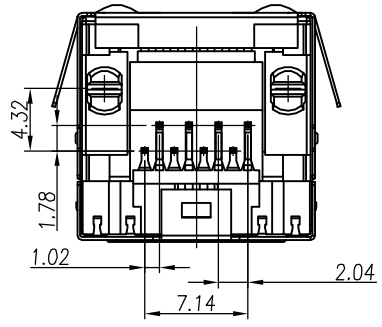


PART NO:

XMM-01-1-C-A-2-0-PB-0

B: Housing color is Black

LED COLOR: Left Yellow Right Green



SUGGESTED PCB LAYOUT
 (TOP VIEW)
 DIMENSIONAL TOLERANCE: .XX ±0.05

RoHS Compliant

XMULTIPLE			CONNECTING THE INFORMATION AGE	
Xmultiple Technologies, Inc. 1060 Los Angeles Avenue Simi Valley, CA 93065			G/NO:	
THIS DRAWING IS A CONTROLLED DOCUMENT.			DWG NO: XMM-01-1-C-A-2-0-PB-0	
TITLE: RJ45 CONNECTOR 1*1Port W/ LED, 8P8C, W/ Spring Shielded/Thru Hole			DRAWN: Ivy Li	
PART NO: XMM-01-1-C-A-2-0-PB-0			CHKD: Michael	
UNIT mm[inch]		SHEET 1 of 1	REV 01	DATE: 2012/02/20

1 2 3 4 5 6 7 8