

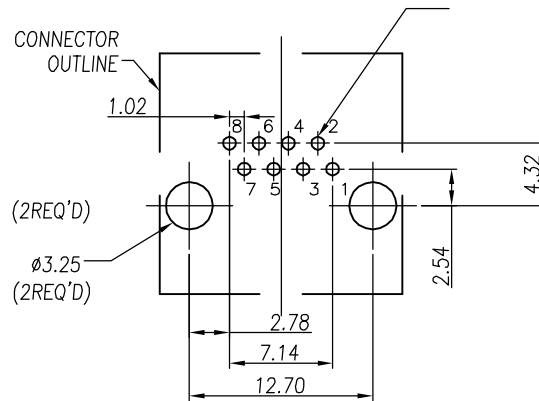
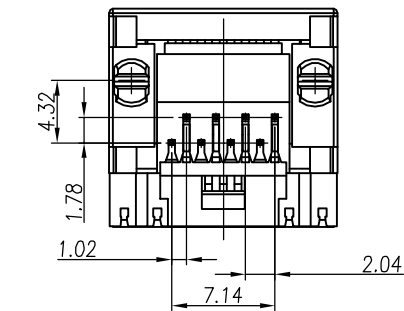
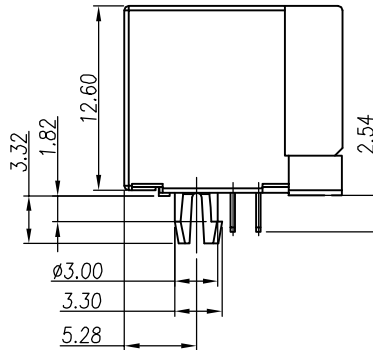
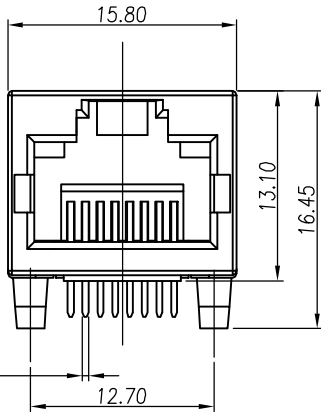
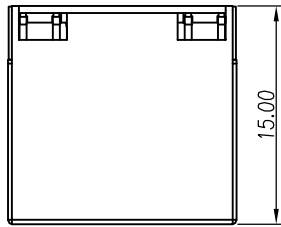
NOTES:

1. MATERIALS:

HOUSING: HIGH TEMP. THERMOPLASTIC, PBT, UL 94V-0  
 CONTACTS: T=0.30PHOSPHOR BORNZE, NICKEL UNDERPLATE  
 ON ALL AREA, TIN ON TERMINATION END,  
 HARD GOLD ON CONTACT AREA.

2. OPERATING TEMPERATURE: -40± ~ +85±

3. JACK CAVITY CONFORMS TO FCC RULES AND REGULATIONS PART 68, SUBPART F



SUGGESTED PCB LAYOUT  
 (TOP VIEW)  
 DIMENSIONAL TOLERANCE: .XX ±0.05

PART NO:

XMM-01-0-C-U-2-0-PB-0

0:W/O LED  
 U:Unshielded  
 2-gold plated 3u"  
 B: Housing color is Black

RoHS Compliant

X MULTIPLE			CONNECTING THE INFORMATION AGE		
Xmultiple Technologies, Inc. 1060 Los Angeles Avenue Simi Valley, CA 93065			G/NO:		
THIS DRAWING IS A CONTROLLED DOCUMENT.			DWG NO: XMM-01-0-C-U-2-0-PB-0		
TITLE: RJ45 CONNECTOR 1*1Port W/O LED, 8P8C, UnShielded/Thru Hole			DRAWN: Ivy Li		
PART NO: XMM-01-0-C-U-2-0-PB-0			CHKD: JEFF		
UNIT mm[inch ]		SHEET 1 of 1	REV 01	DATE: 2011/10/12	