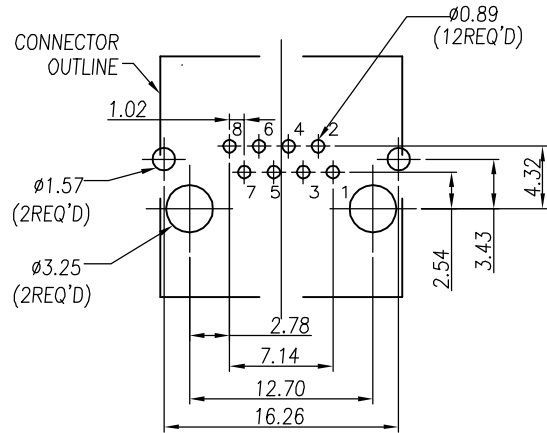
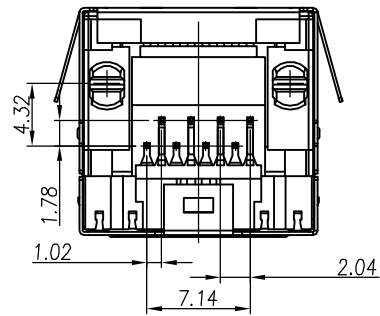
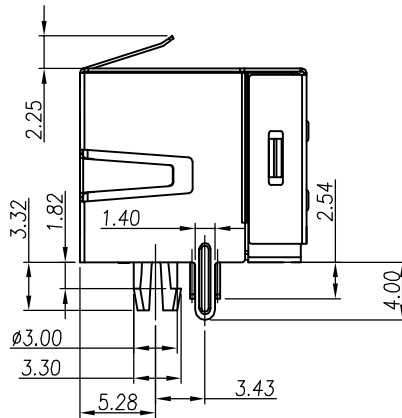
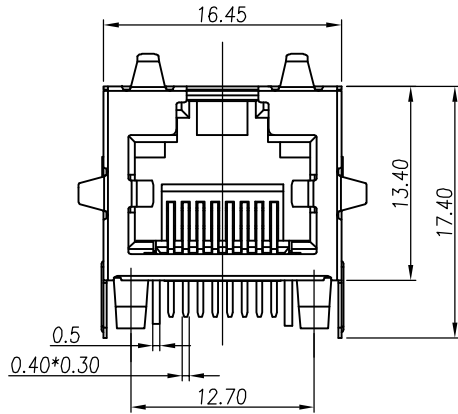
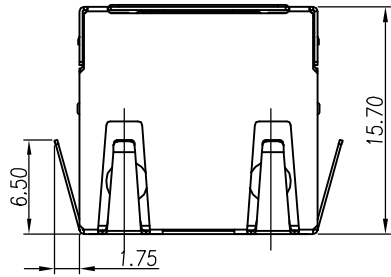


1 2 3 4 5 6 7 8

NOTES:

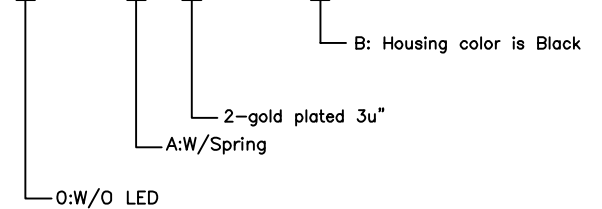
1. MATERIALS:
 HOUSING: HIGH TEMP. THERMOPLASTIC, PBT, UL 94V-0
 CONTACTS: T=0.30PHOSPHOR BORNZE, NICKEL UNDERPLATE
 ON ALL AREA, TIN ON TERMINATION END,
 HARD GOLD ON CONTACT AREA.
 SHIELD: SUS T=0.20mm, PLATED WITH NICKEL.
2. OPERATING TEMPERATURE: -40L ~ +85L
3. JACK CAVITY CONFORMS TO FCC RULES AND REGULATIONS PART 68, SUBPART F



SUGGESTED PCB LAYOUT
 (TOP VIEW)
 DIMENSIONAL TOLERANCE: .XX ±0.05

PART NO:

XMM-0-C-A-2-0-PB-0



RoHS Compliant

			CONNECTING THE INFORMATION AGE Xmultiple Technologies, Inc. 1060 Los Angeles Avenue Simi Valley, CA 93065		G/NO:
					DWG NO: XMM-0-C-A-2-0-PB-0
THIS DRAWING IS A CONTROLLED DOCUMENT.					DRAWN: AUSTIN
TITLE: RJ45 CONNECTOR 1*1Port W/O LED, 8P8C, W/ Spring Shielded/Thru Hole					CHKD: JEFF
PART NO: XMM-0-C-A-2-0-PB-0					DATE:
		UNIT mm[inch]	SHEET 1 of 1	REV 01	

1 2 3 4 5 6 7 8