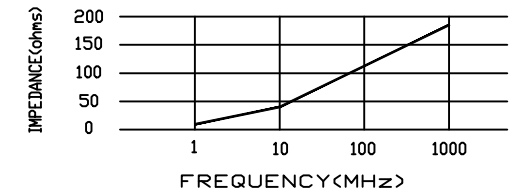
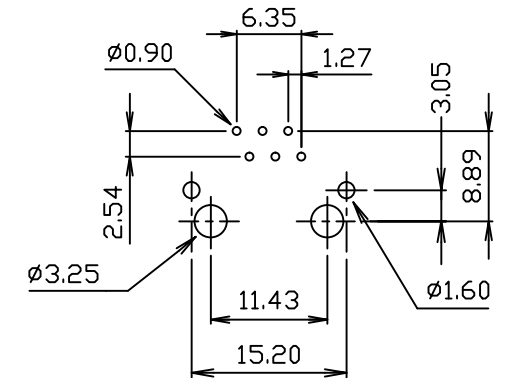
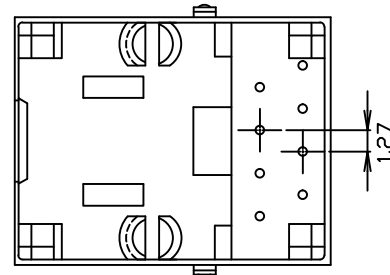
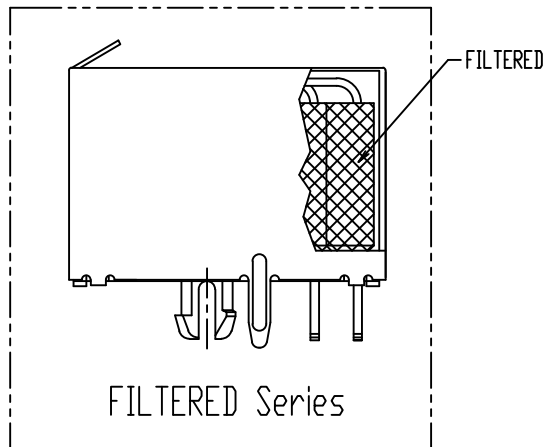
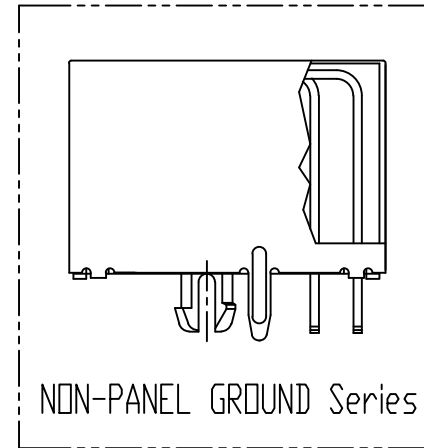
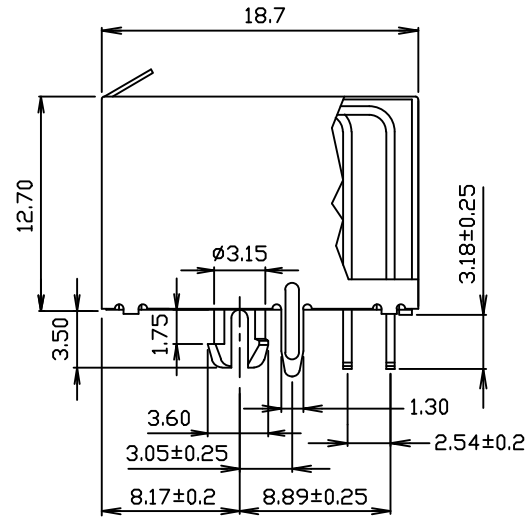
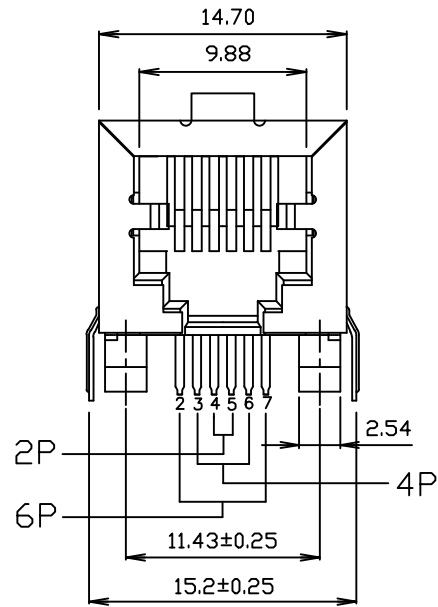


PRODUCT NO.	HOUSING P/N	SUB-ASS'Y P/N	SHIELD P/N	LOGO	REMARK
9740-6X1X-SD	77016-006	5021-8X1X	8119-600D		NON-FILTER/NON-PANEL GROUND
9740-6X1X-SD-A	77016-006	5021-8X1X	8119-601D		NON-FILTER/PANEL GROUND
9740-6X1X-SD-B	77016-006	5021-8X1X-A	8119-600D		FILTERED/NON-PANEL GROUND
9740-6X1X-SD-C	77016-006	5021-8X1X-A	8119-601D		FILTERED/PANEL GROUND

- MATERIALS:
- HOUSING-PBT POLYESTER UL94V-0 MIXED GLASS FIBER. STANDARD COLOR-BLACK
 - CONTACTS-0.35mm THICK PHOS-BRONZE PLATED WITH 6u" HARD GOLD AND gold flash IN SOLDER AREA.
 - SHIELD-0.25mm THICK COPPER ALLOY, NICKEL PLATED.
 - FILTER-HIGH IMPEDANCE , HIGH RESISTIVITY , FERRITE BLOCK
- Impedance Characteristic:



CAVITY CONFIRMS TO FCC RULES AND REGULATIONS PART 68,SUBPART F.



PC Board Layout

DO NOT SCALE DRAWING	TOLERANCES UNLESS OTHERWISE NOTED	INCH	MM	DR. M.L.HUANG	DATE NOV-27 '00	Xmultiple
THIRD ANGLE PROJECTION	LINEAR $\frac{\text{MM}}{\text{INCH}}$	$00 \pm .01$ $000 \pm .005$ $0000 \pm .002$	0.0 ± 0.25 0.00 ± 0.13 0.000 ± 0.05	CK'D M.CHANG	NOV-27 '00	
MM INCH	ANGLE $\pm 0^{\circ} 30'$	RADII	$+ 0.40$ $- 0.15$	APP'D W.J.YANG		SCALE SIZE DWG.NO. XMK-9740-6614-SD
						REV. SHEET 1 1