

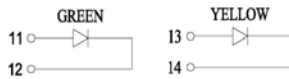
## SINGLE RJ45 PoE CONNECTOR MODULE WITH 10/100 BASE-TX MAGNETICS AND LEDS

### XMPH- XARJ-8017CNL

Page : 1/3

#### Feature

- Suitable for CAT 5 & 6 Fast Ethernet Cable or better UTP.
- Meets or exceeds IEEE 802.3 standard for 100 Base-T.
- All materials are RoHS and UL94-V0 compliant.
- RoHS peak solder rating 260°C.
- Recommended panel



Electrical Specifications @ 25°C							
Part Number	Turns Ratio (±5%)		Insertion Loss (dB Max)	Return Loss 100Ω±5Ω (dB Typ)			
	TX	RX		1-10MHz	10-30MHz	30-60MHz	60-80MHz
XMPH-XARJ-8017CNL	1CT : 1CT	1CT :1CT	-1.15	-20	-16	-12	-10

Electrical Specifications @ 25°C						
Part Number	Crosstalk (dB Typ)			Common Mode Rejection (dB Typ)		HI-POT (Vrms)
	1-30MHz	30-60MHz	60-100MHz	1-50MHz	50-150MHz	@60MHz/1Min
XMPH-XARJ-8017CNL	-40	-35	-30	-30	-20	1500

RJ45 Durability Testing Rating & Material Specification				
Part Number	Durability	Mating Force	Shield	
			Material	Finish
XMPH-XARJ-8017CNL	750 Insertions	5 lbs./2.268 kgs.	Brass	10-20m inches Nickel over

RJ45 Material Specification				
Part Number	Contact		Housing	
	Material	Plating Area	Material	Specification
XMPH-XARJ-8017CNL	Phosphor Brass	10-20m inches Nickel over selective gold plating 6μ inches	Thermoplastic	UL 94 V-0

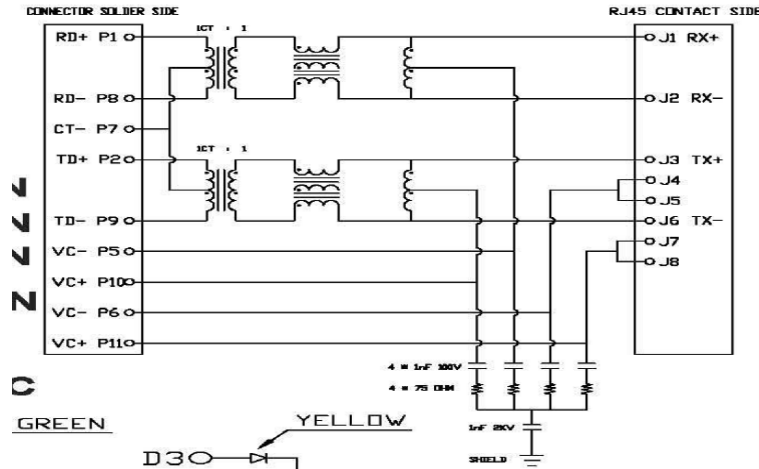
\* Operating temperature range: 0C to +70C. Storage temperature range: -25C to +125C.

## SINGLE RJ45 PoE CONNECTOR MODULE WITH 10/100 BASE-TX MAGNETICS AND LEDS

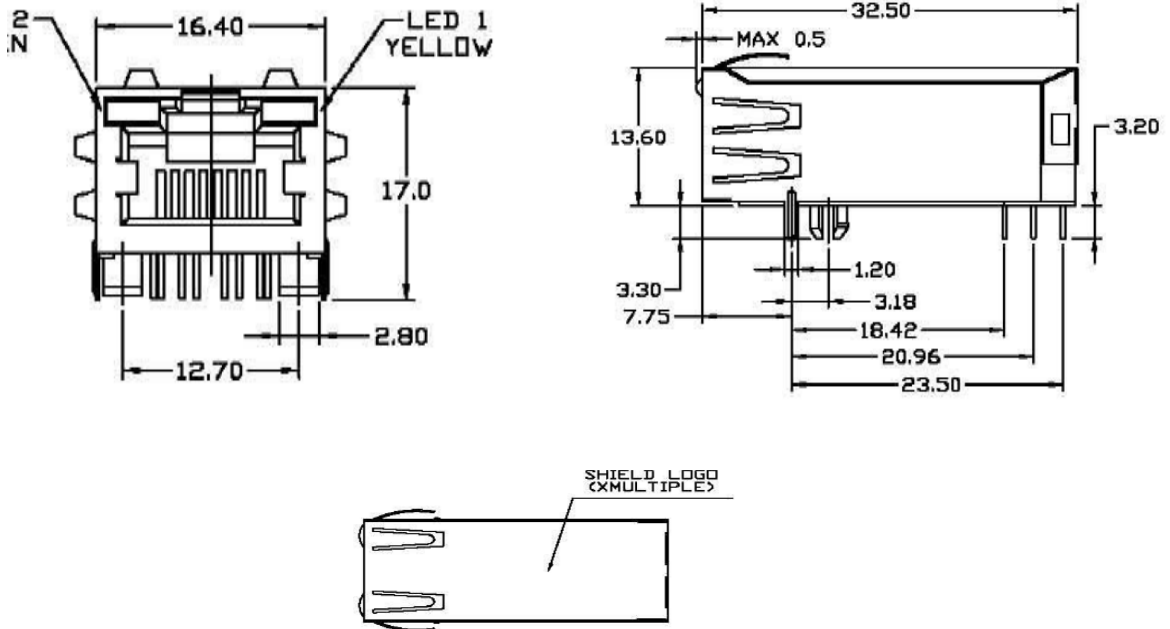
XMPH- XARJ-8017CNL

Page : 2/3

### Schematic



### Mechanical



Units: mm.  
Tolerance:  $\pm 0.25$  unless specified.

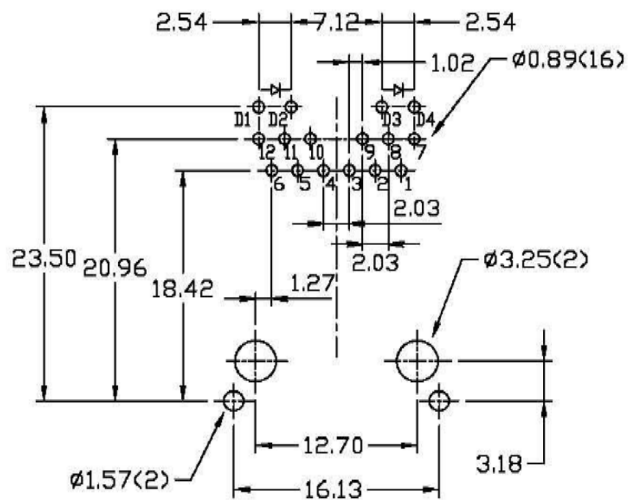
## SINGLE RJ45 PoE CONNECTOR MODULE WITH 10/100 BASE-TX MAGNETICS AND LEDS

XMPH- XARJ-8017CNL

Page : 3/3

### PCB Layout Mounting Hole (Top View)

---



### NOTE: