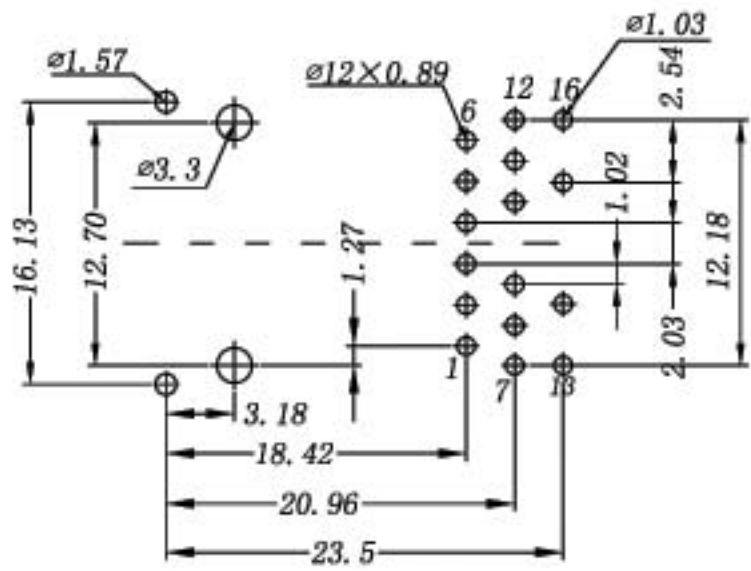
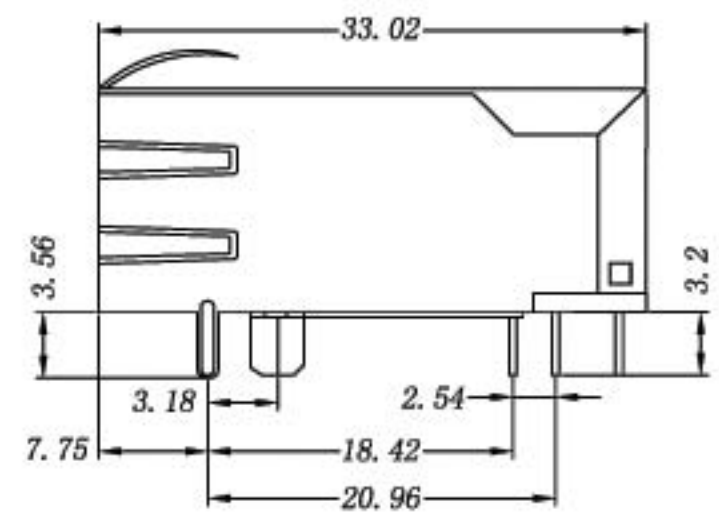
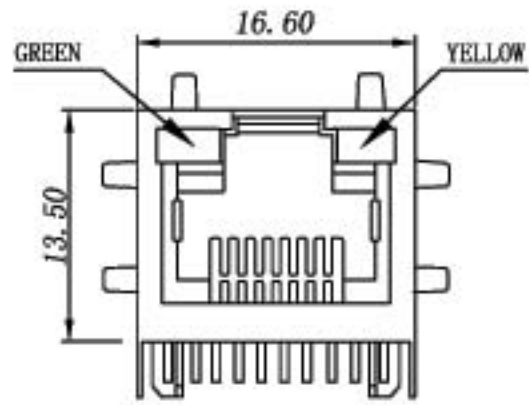


Mechanical:

REV.	ECN NO.	DESCRIPTION	DATE	APPD
A	REL		03/11/2009	



SUGGESTED PCB LAYOUT (TOP VIEW)



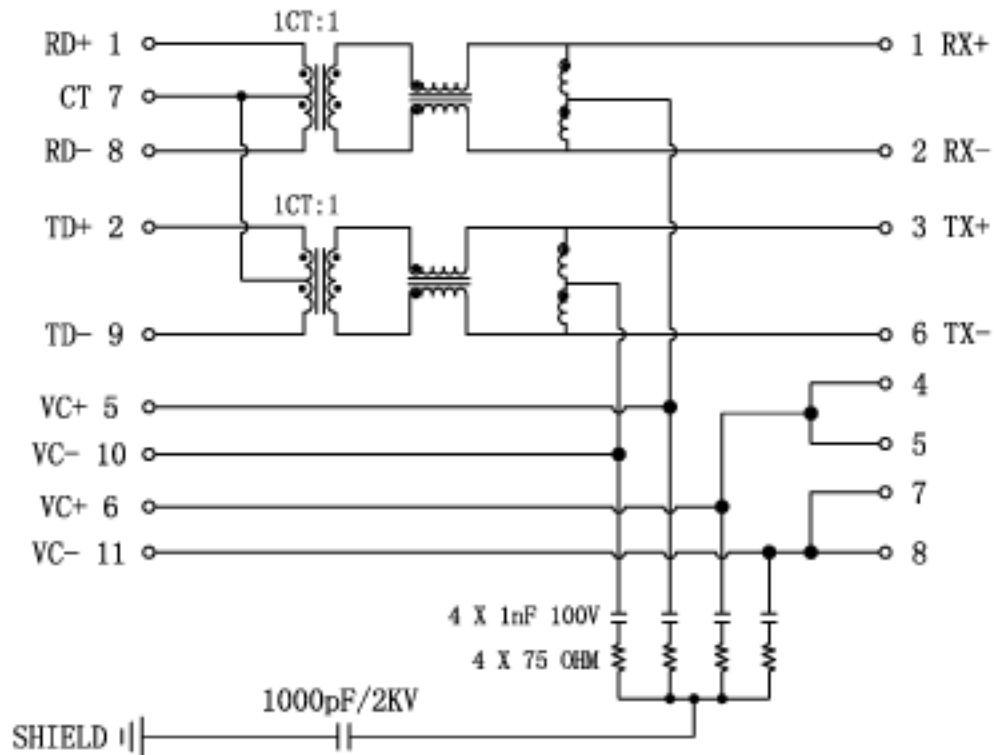
NOTES:

1. Designed to support application, such as SOHO (ADSL modems), LAN-on-Motherboard (LOM), hub and Switches.
2. Meets IEEE 802.3 specification
3. Connector Materials:
 Housing: Thermoplastic UL94V-0
 Contact/Shield: Copper alloy
 Shield plating: Nickel
 Contact plating: Gold 6 micro-inches min. In contact area.
4. Wave solder tip temperature: 265°C Max
 Wave solder tip temperature time: 5 Sec Max
5. UL Certification: File Number E321120

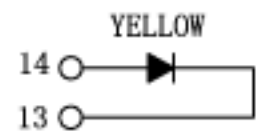
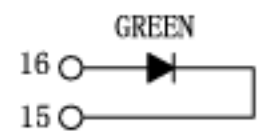
X:X	±0.20	APPD:	XMULTIPLE
X:XX	±0.10	CHD:	
X:XXX	±0.05	DG: C.H.Y	Title: RJ45 Connector with 10/100 Base-TX Integrated Magnetic & PoE
ANGLES	±1°	UNIT: mm	PART NO.: XMPH-TRJK4013AHNL
	SCALE: 2/1	SHEET: 1/2	REV: B
			DWG NO.: TRC09130801

Schematic:

REV.	ECN NO.	DESCRIPTION	DATE	APPD
A	REL		03/11/2009	



- ### Electrical Specifications @25°C
- 350uH min OCL with 8mA bias current.
 - Turns Ratio($\pm 2\%$):
TX=1CT:1 RX=1CT:1
 - Insertion Loss:
0.1-100MHz:-1.5dB Max
 - Return Loss:
2-30MHz:-16 Min
60-80MHz:-10 Min
 - Crosstalk:
0.1-100MHz:-30dB Min
 - Balanced DC Line Current:
350mA Max @ 57 VDC Continuous
500mA Max @ 57 VDC For 200 Millseconds
 - HI-POT:1500V
 - Operating Temperature: -40°C~+85°C.



X:X	± 0.20	APPD:	XMULTIPLE
X:XX	± 0.10	CHD:	
X:XXX	± 0.05	DR: C.H.Y	Title: RJ45 Connector with 10/100 Base-TX Integrated Magnetic & PoE
ANGLES	$\pm 1^\circ$	UNIT: mm	PART NO.: XMPH-TRJK4013AHNL
	SCALE: 2/1	SHEET: 2/2	REV: B DWG NO.: TX00091603