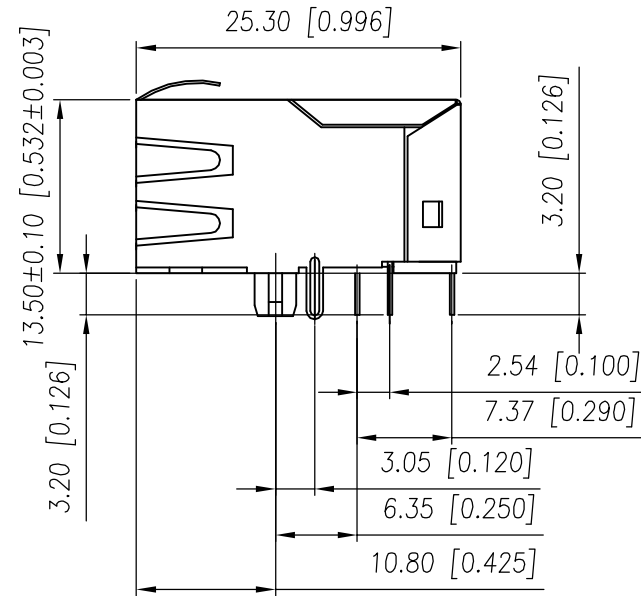
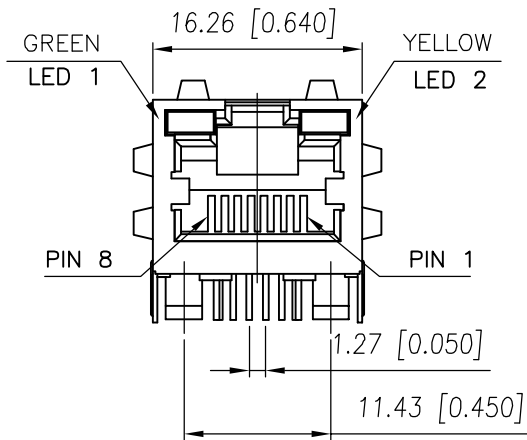
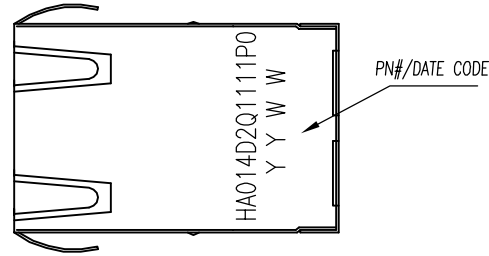


1. MECHANICAL DIMENSIONS :

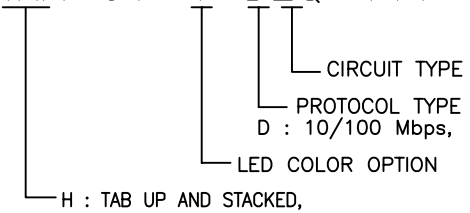
NOTES:

- MATERIAL:
 - HOUSING - PBT POLYESTER UL94V-0 MIXED GLASS FIBER. STANDARD COLOR-BLACK
 - CONTACTS - 0.35mm THICK PHOS-BRONZE PLATED WITH 3u" GOLD IN CONTACT AREA, TIN IN SOLDER AREA, AND UNDERPLATED NICKEL IN ALL AREA.
 - SHIELD - 0.20mm THICK COPPER ALLOY, PLATED WITH NICKEL.
- OPERATING TEMPERATURE : 0°C~70°C
- CAVITY CONFORMS TO FCC RULES AND REGULATIONS PART 68,SUBPART F.

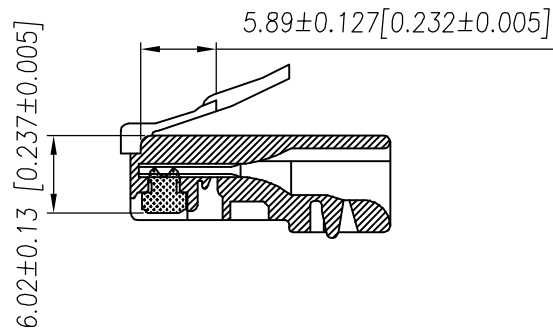


PART NO:

XMHA-01-4-D2Q-111-1P0-EMD



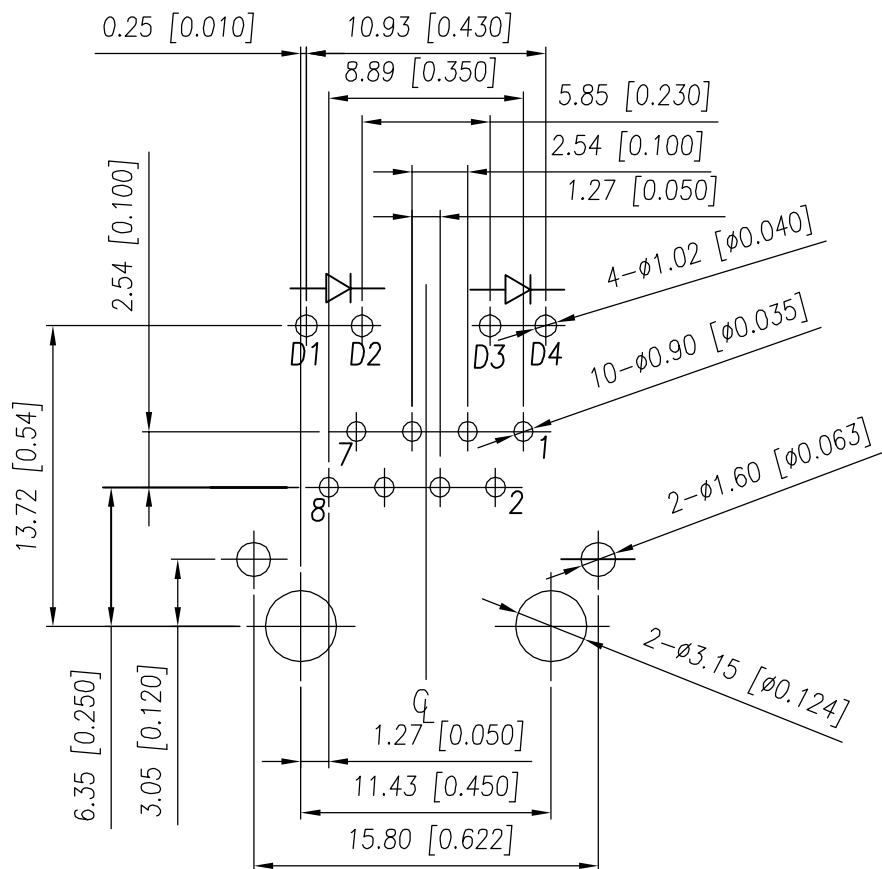
RECOMMENED PLUG DIMENSION:



RoHS Compliant

X MULTIPLE			CONNECTING THE INFORMATION AGE	
Xmultiple Technologies, Inc. 1060 Los Angeles Avenue Simi Valley, CA 93065			G/NO:	
THIS DRAWING IS A CONTROLLED DOCUMENT.			DWG NO: XMHA-01-4-D2Q-111-1P0-EMD	
TITLE: SINGLE PORT, RJ45, SHIELDED, WITH LED WITH TRANSFORMER,			DRAWN: Ivy Li	
PART NO: XMHA-01-4-D2Q-111-1P0-EMD			CHKD: JEFF	
		UNIT mm[inch]	SHEET 1 of 3	REV 01
			DATE: 2011/10/08	

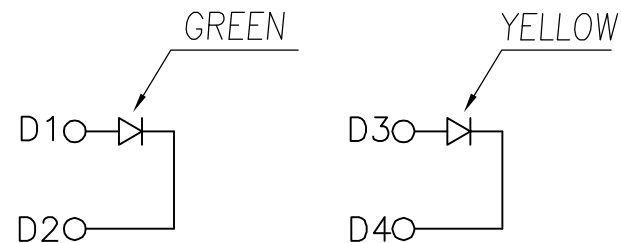
2. PCB LAYOUT



SUGGESTED PCB LAYOUT
(TOP VIEW)

DIMENSIONAL TOLERANCE: .XX ±0.05[0.001]

3. LED CONFIGURATION

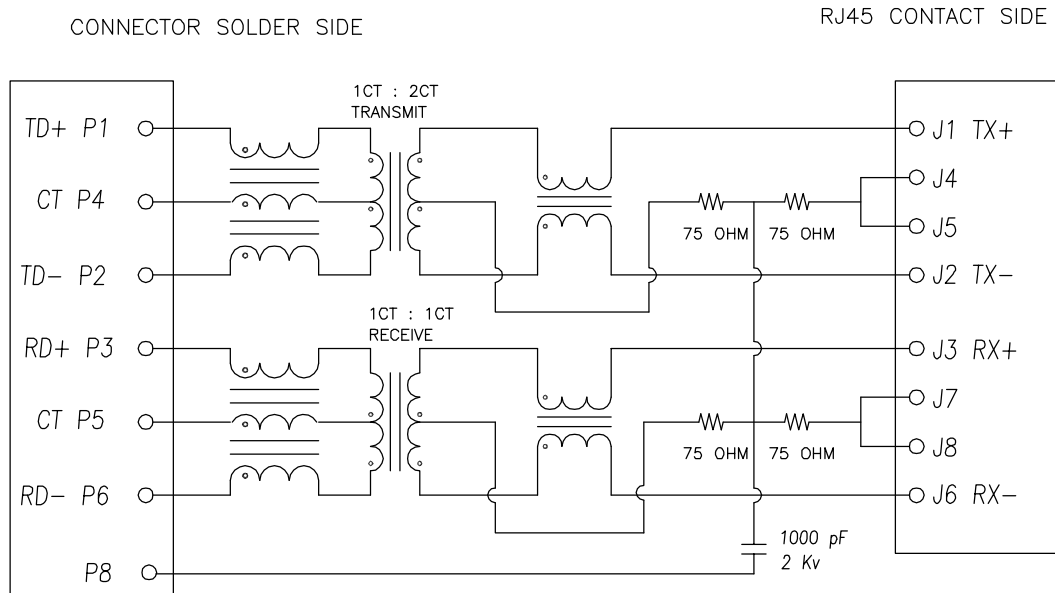


Color	Lens Color	Vf(v) @20mA		Iv(mcd) @10mA		Viewing angle
		Min	Max	Min	Typ	
Yellow	Yellow Diffused	1.7	2.8	3.0	6.0	2θ 1/2
Green	Green Diffused	1.7	2.8	3.5	6.0	116

RoHS Compliant

X MULTIPLE			CONNECTING THE INFORMATION AGE		
<small>Xmultiple Technologies, Inc. 1060 Los Angeles Avenue Simi Valley, CA 93065</small>				G/NO:	
THIS DRAWING IS A CONTROLLED DOCUMENT.				DWG NO: XMHA-01-4-020-111-1P0-EMD	
TITLE: SINGLE PORT, RJ45, SHIELDED, WITH LED WITH TRANSFORMER,				DRAWN: Ivy Li	
PART NO: XMHA-01-4-D2Q-111-1P0-EMD				CHKD: JEFF	
UNIT		SHEET		REV	
mm[inch]		2 of 3		01	
				DATE: 2011/10/08	

4. SCHEMATIC :



5. ELECTRICAL CHARACTERISTICS :

TEST NOTES:(25±5°C)

1.TR:(100KHz,0.1V);

PINS:(P1-P2):(J1-J2)=1:1±3%

PINS:(P3-P6):(J3-J6)=1:1±3%

2.LX:(100KHz,100mV,8mA, DC Bias)

PINS: (P1,P2),(P3,P6)=350uH MINIMUM

3.DCR:

PINS:(J1-J2),(J3-J6)= 1.2 OHMS MAXIMUM

4.HIPOT:

PINS(P1,P4,P2)TO(J1,J2)=1500VAC FOR 2 SECONDS

PINS(P3,P5,P6)TO(J3,J6)=1500VAC FOR 2 SECONDS

5.INSERTION LOSS:

-1.0dB MAXIMUM AT 1MHz TO 100MHz;

6.RETURN LOSS:

-20dB MINIMUM AT 1MHz TO 30MHz;

-15dB MINIMUM AT 30MHz TO 60MHz

-10dB MINIMUM AT 60MHz TO 80MHz

7.CROSS TALK:

-30dB MINIMUM AT 1MHz TO 100MHz

8.COMMON TO COMMON MODE REJECTION:

-30dB MINIMUM AT 1MHz TO 100MHz

RoHS Compliant

X MULTIPLE			CONNECTING THE INFORMATION AGE	
Xmultiple Technologies, Inc. 1060 Los Angeles Avenue Simi Valley, CA 93065			G/NO:	
THIS DRAWING IS A CONTROLLED DOCUMENT.			DWG NO: XMHA-01-4-D2Q-111-1P0-EMD	
TITLE: SINGLE PORT, RJ45, SHIELDED, WITH LED WITH TRANSFORMER,			DRAWN: Ivy Li	
PART NO: XMHA-01-4-D2Q-111-1P0-EMD			CHKD: JEFF	
UNIT		SHEET	REV	
mm[inch]		3 of 3	01	
DATE:			2011/10/08	