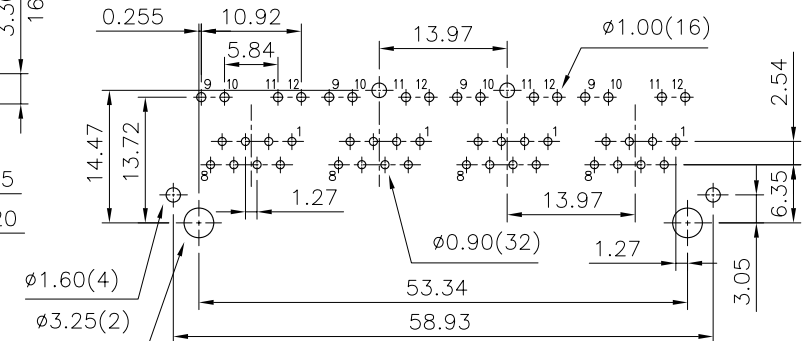
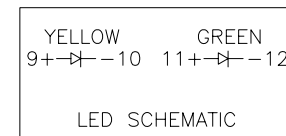
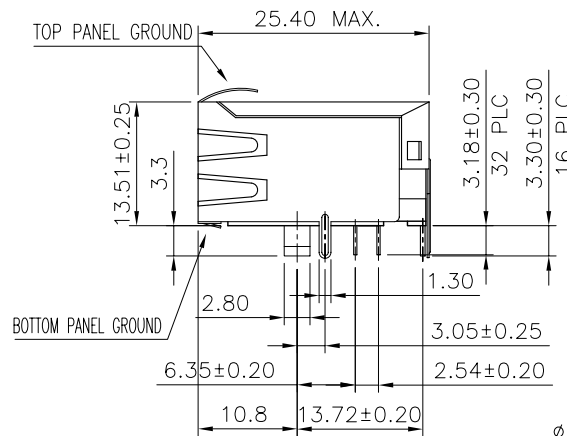
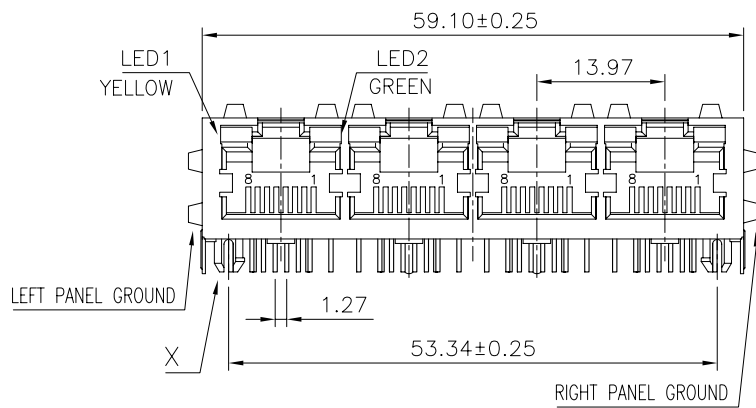


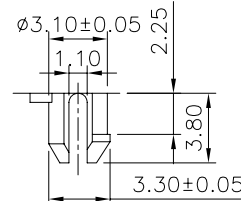
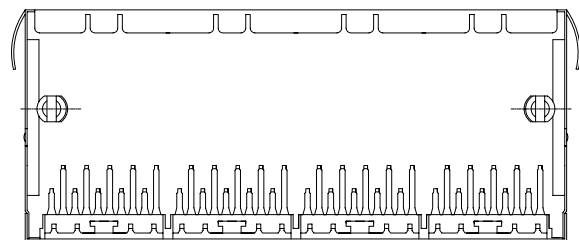
- MATERIAL:
- HOUSING—PBT POLYESTER UL94V-0 MIXED GLASS FIBER. STANDARD COLOR—BLACK.
 - CONTACTS—0.35mm THICK PHOS-BRONZE PLATED WITH 30u" HARD GOLD AND GOLD FLASH ON SOLDER AREA.
 - SHIELD—0.20mm THICK COPPER ALLOY, PLATED WITH NICKEL.

CAVITY CONFIRMS TO FCC RULES AND REGULATIONS PART 68,SUBPART F.



PCB LAYOUT

Ref.



DETAIL X

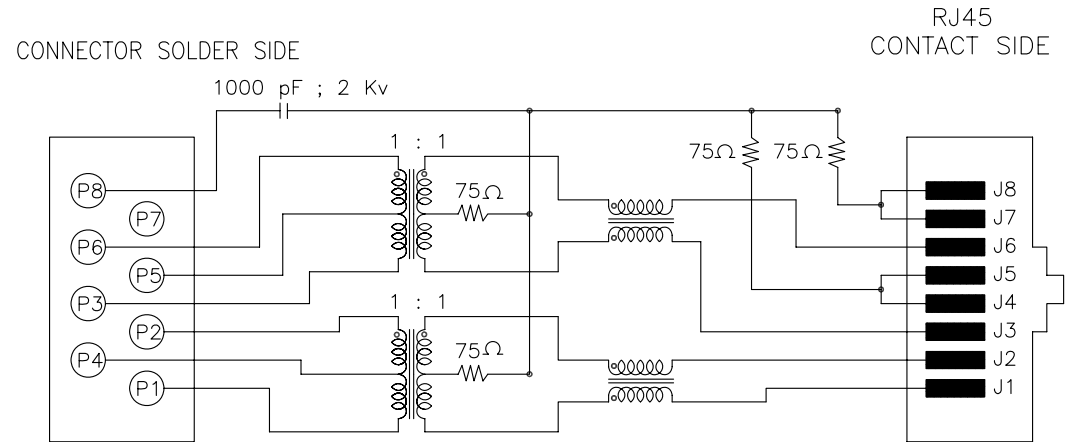
DO NOT SCALE DRAWING	TOLERANCES UNLESS OTHERWISE NOTED	INCH	MM	DR. <i>M.L.HUANG</i>	DATE MAR-01 '11	XMULTIPLE	
THIRD ANGLE PROJECTION	LINEAR MM INCH	00 ± 000 ± 0000 ±	0.0 ± 0.30 0.00 ± 0.20 0.000 ± 0.10	CK'D <i>M.CHANG</i>	MAR-01 '11		TITLE 4 PORT, RJ45, WITH LED'S WITH TRANSFORMER, DIP TYPE, SIDE ENTRY.
MM INCH	ANGLE ± 0° 30'	RADII	+ 0.40 - 0.15	APP'D <i>W.J.YANG</i>	MAR-01 '11		SCALE SIZE DWG.NO. XMH-9801-8812-443D-L2T7-A-BA

9801 TRANSFORMER TYPE 7

ELECTRICAL CHARACTERISTICS


TEST NOTES: (25°±5°C)

1. TR: (100KHz, 0.1V);
 PINS:(1-2):(J1-J2)=1CT:1CT±3%;
 PINS:(3-6):(J3-J6)=1CT:1CT±3%;
2. LX: (100KHz, 100mV, 8mA, DC Bias)
 PINS: (1,2),(3,6)=350uH MINIMUM
3. DCR:
 PINS: (1-2),(J3-J6),(J1-J2)=1.0 OHM MAXIMUM
 PINS: (3-6)=1.2 OHM MAXIMUM
4. HIPOT:
 PINS(1,2,4) TO (J1,J2) ; (3,5,6) TO (J3,J6)
 =1500 VAC FOR 60 SECONDS
5. CAPACITOR (1KHz, 1V)
 SHIELD TO (J1-J8)
 =1300pF MAXIMUM AND 700 pF MINIMUM
6. INSERTION LOSS:
 -1.0dB MAXIMUM AT 1MHz TO 100MHz
7. RETURN LOSS:
 -20dB MINIMUM AT 1MHz TO 30MHz
 -15dB MINIMUM AT 30MHz TO 60MHz
 -10dB MINIMUM AT 60MHz TO 100MHz
8. CROSS TALK:
 -30dB MINIMUM AT 1MHz TO 100MHz
9. COMMON TO COMMON MODE REJECTION:
 -30dB MINIMUM AT 1MHz TO 100MHz



NOTES: 1.0 PINS WITHOUT ELECTRICAL CONNECTION ARE OMITTED.
 2.0 Greater than (16-20 Log (f/30MHz)) dB.

CONNECTOR SCHEMATIC

DO NOT SCALE DRAWING	TOLERANCES UNLESS OTHERWISE NOTED	INCH	MM	DR. <i>M.L.HUANG</i>	DATE JUN-25 '03	<i>XMULTIPLE</i>						
	LINEAR	MM INCH	00 ± .01 000 ± .005 0000 ± .002	0.0 ± 0.38 0.00 ± 0.25 0.000 ±	CK'D <i>M.CHANG</i>	JUN-25 '03	TITLE	TRANSFORMER TYPE 7 SPECIFICATION			REV.	SHEET
MM INCH	ANGLE ± 0° 30'	RADII	± 0.40 - 0.15	APP'D <i>W.J.YANG</i>	JUN-26 '03	SCALE	SIZE	DWG.NO. 9801 SERIES	REV. 1	SHEET 1		