

SUGGESTED PCB LAYOUT
(TOP VIEW)

ELECTRICAL SPECIFICATIONS @ 25°C +/- 5°C unless otherwise noted:

Insertion Loss: 1-100MHZ -1.0dB MAX

Return Loss: 1-30MHZ -16.0dB MIN
30-60MHZ -14.0dB MIN
60-80MHZ -10.0dB MIN

Cross Talk: 1-30MHZ -40.0dB MIN
30-60MHZ -35.0dB MIN
60-80MHZ -30.0dB MIN

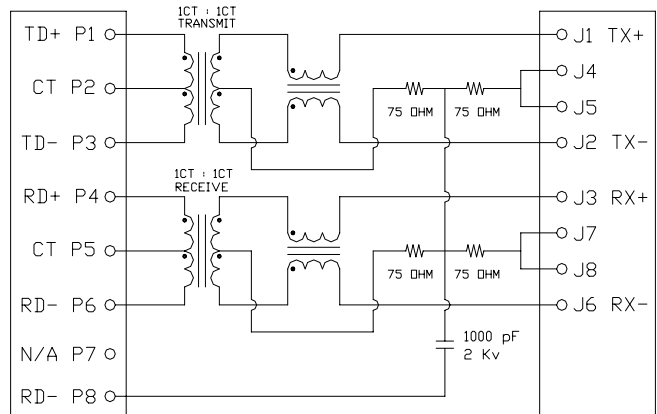
CMR: 1-100MHZ -35.0dB MIN

Hi-Pot: 1500v AC 6S 1mA

OCL:350uH MIN @ 100KHZ 100mV 8mA DC

Turn Ratio: 1CT:1CT +/- 3%

Operating temperature range: 0°C to +70°C



UNIT: mm
 .xx +/-0.25 .xxx +/-0.13

Approved By : Joan Pan

10/100BASE
 1X1 Tab-Down RJ45

P/N: XMG-YL2012SNL-NTR

REV.
 A

Drafted by Lin Ye

Sheet 1 of 1