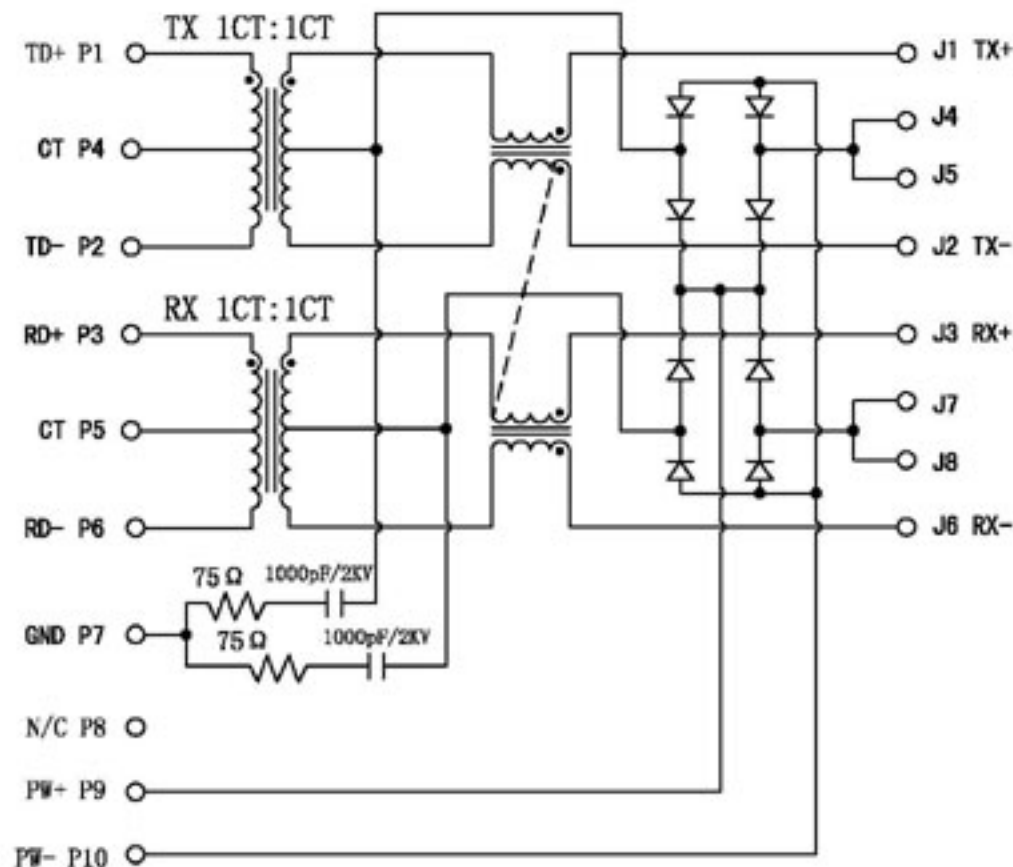


Schematic:

REV.	ECN NO.	DESCRIPTION	DATE	APPD
A	REL		08/05/2009	

PCB

CABLE

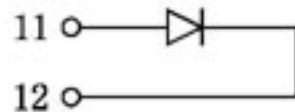


ELECTRICAL SPECIFICATIONS @25°C

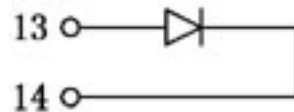
- Turn Ratio: 1CT:1CT $\pm 3\%$
(P1-P2: J1-J2)
(P3-P6: J3-J6)
- OCL (100KHz, 0.1Vrms, 8mA):
(P1-P2, P3-P6) 350uH Min
- DCR:
(P1-P2, P3-P6) 0.9 OHMS Max
- Insertion Loss:
0.1-100MHz: -1.1dB Max
- Return Loss:
0.5-30MHz: -18dB Min
40MHz: -15.5dB Min
50MHz: -13.6dB Min
60-80MHz: -12dB Min
- Cross talk:
1-100MHz: -38dB Typ
- Common Mode Rejection:
0.1-30MHz: -50dB Typ
30-60MHz: -40dB Typ
60-100MHz: -30dB Typ
- Isolation: 1500Vrms
- Operating Temperature: 0°C TO 55°C.



GREEN



YELLOW



X:X	± 0.25	APPD:	XMULTIPLE
X:XX	± 0.10	CHKD:	
X:XXX	± 0.05	DR: leo	
ANGLES $\pm 1^\circ$		UNIT: mm	TITLE: RJ45 Connector with 10/100 Base-TX Integrated Magnetics
			PART NO.: XMG-TR0112GENI
		SCALE: 2/1	SHEET: 2/2
		REV: A	DWG NO.: TRC09050801