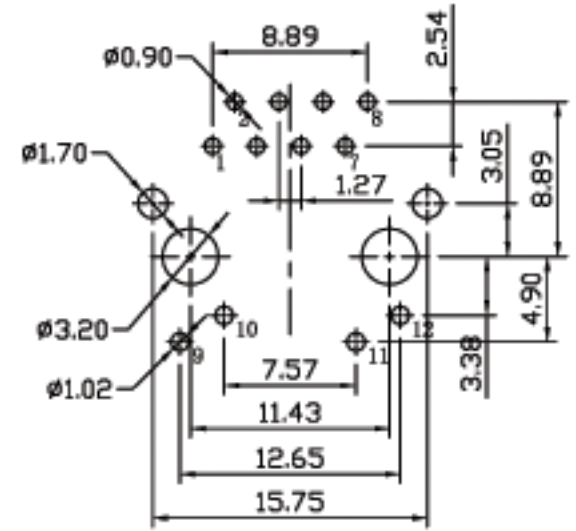
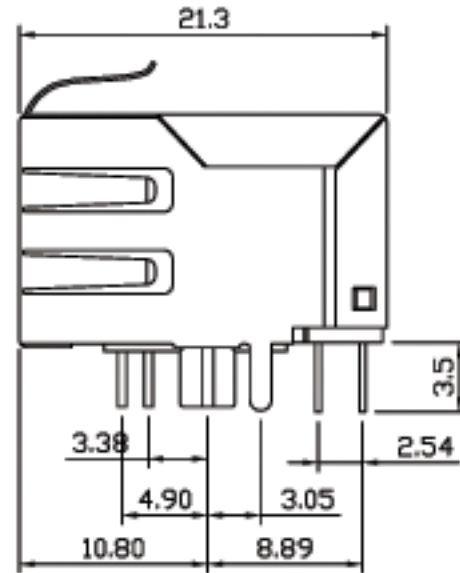
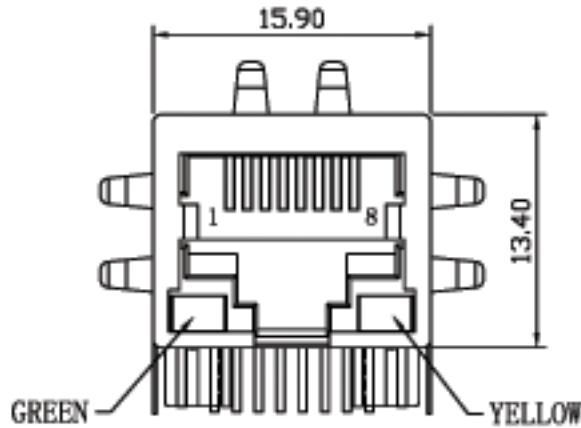
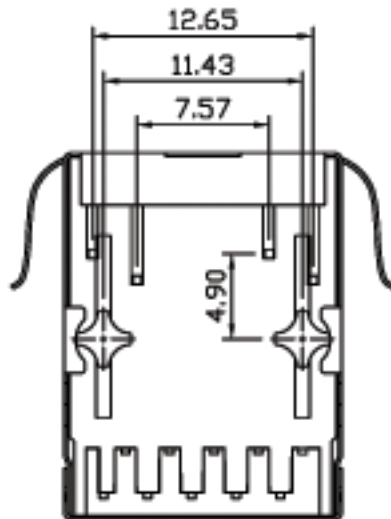


Mechanical:

REV.	ECN NO.	DESCRIPTION	DATE	APPD
A	REL		12/03/2007	



SUGGESTED PCB LAYOUT (TOP VIEW)



NOTES:

1. Designed to support application, such as SOHO (ADSL modems), LAN-on-Motherboard (LOM), hub and Switches.
2. Meets IEEE 802.3 specification
3. Connector Materials:
 Housing: Thermoplastic UL94V-0
 Contact/Shield: Copper alloy
 Shield plating: Nickel
 Contact plating: Gold 6 micro-inches min. In contact area.

X:X ±0.25	APPD:	XMULTIPLE TITLE: 10/100 BASE-T RJ45 Connector with Integrated Magnetics PART NO.: XMG-TRJ0011ABNL		
X:XX ±0.20	CHKD:			
X:XXX ±0.06	DR: Q. P. C			
ANGLES ±1°	UNIT: mm			
	SCALE: 2/1	SHEET: 1/2	REV: A	DWG NO.: TRC07031206