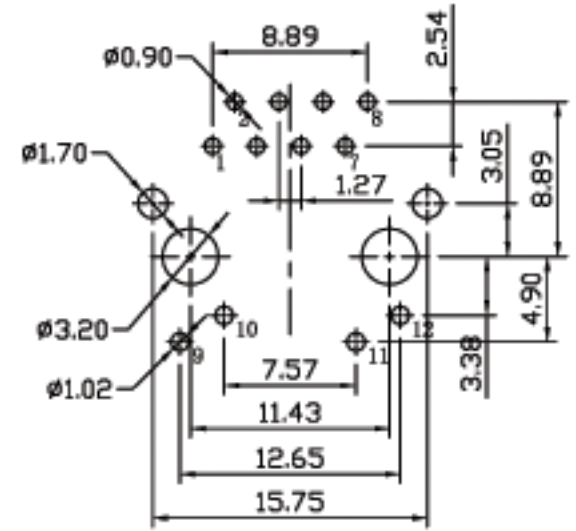
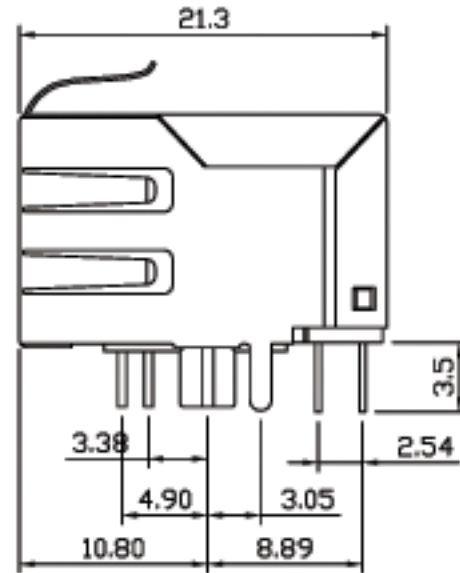
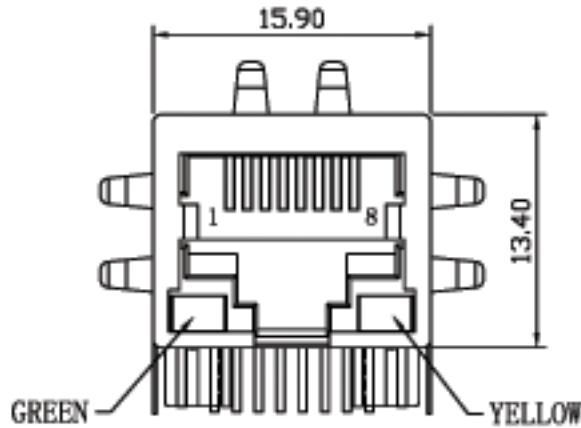
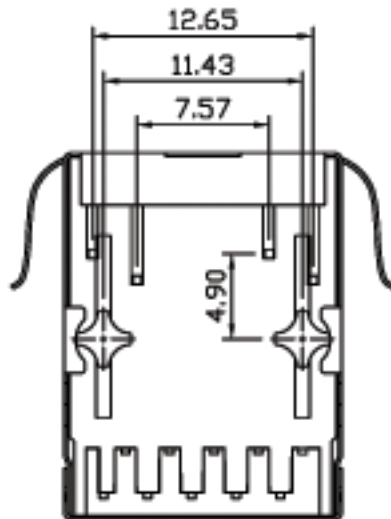


Mechanical:

REV.	ECN NO.	DESCRIPTION	DATE	APPD
A	REL		12/03/2007	



SUGGESTED PCB LAYOUT (TOP VIEW)



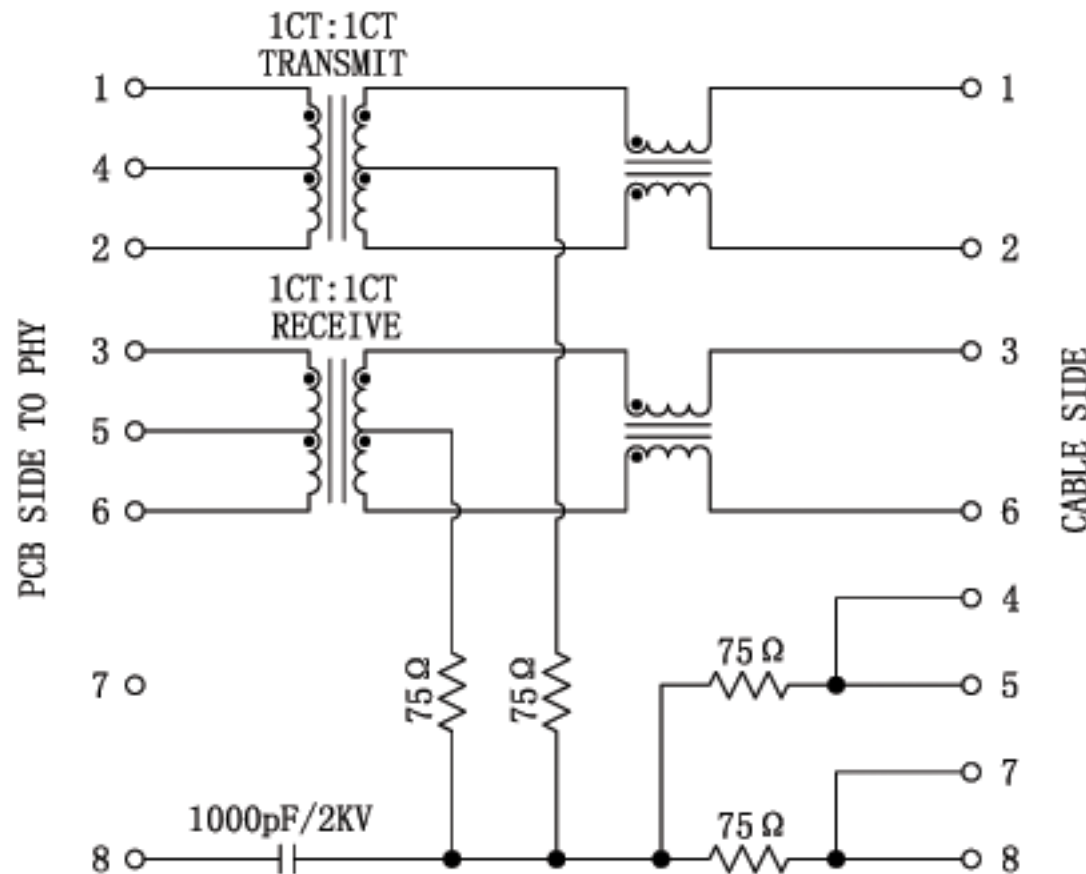
NOTES:

1. Designed to support application, such as SOHO (ADSL modems), LAN-on-Motherboard (LOM), hub and Switches.
2. Meets IEEE 802.3 specification
3. Connector Materials:
 Housing: Thermoplastic UL94V-0
 Contact/Shield: Copper alloy
 Shield plating: Nickel
 Contact plating: Gold 6 micro-inches min. In contact area.

X:X ±0.25	APPD:	XMULTIPLE TITLE: 10/100 BASE-T RJ45 Connector with Integrated Magnetics PART NO.: XMG-TRJ0011ABNL		
X:XX ±0.20	CHKD:			
X:XXX ±0.06	DR: Q. P. C			
ANGLES ±1°	UNIT: mm			
	SCALE: 2/1	SHEET: 1/2	REV: A	DWG NO.: TRC07031206

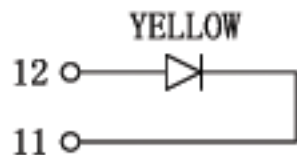
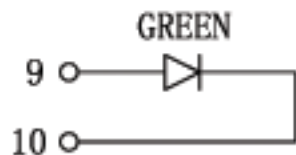
Schematic:

REV.	ECN NO.	DESCRIPTION	DATE	APPD
A	REL		12/03/2007	



ELECTRICAL SPECIFICATIONS@25°C

- Turn Ratio($\pm 2\%$):
TX=1CT:1CT RX=1CT:1CT
- Inductance OCL:
350uH MIN@100KHz/0.1V, 8mA DC Bias
- Insertion Loss:
-1.0dB MAX @ 1.0-65MHz
- Return Loss:
-20dB MIN @ 1-10MHz
-16dB MIN @ 10-30MHz
-12dB MIN @ 30-60MHz
-10dB MIN @ 60-100MHz
- Cross talk:
-40dB MIN @ 1-30MHz
-35dB MIN @ 30-60MHz
-30dB MIN @ 60-100MHz
- Common Mode Rejection:
-30dB MIN @ 1-50MHz
-20dB MIN @ 50-150MHz
- HIPOT TEST:1500Vrms MIN
- OPERATING TEMPERATURE RANGE:0°C TO 70°C



X:X ±0.25	APPD:	XMULTIPLE
X:XX ±0.20	CHKD:	
X:XXX ±0.06	DR: Q.P.C	TITLE: 10/100 BASE-T RJ45 Connector with Integrated Magnetics
ANGLES $\pm 1^\circ$	UNIT: mm	PART NO.: XMG-TRJ0011ABNL
	SCALE: 2/1	SHEET: 2/2
	REV: A	DWG NO.: TRC07031206