

SINGLE RJ45 CONNECTOR MODULE

XMG-J1B105Z00

Page : 1/2

Feature

- Single RJ45 connector.
- Suitable for CAT 5 & 6 Fast Ethernet Cable or better UTP.
- All materials are RoHS and UL94 V-0 compliant.
- RoHS peak solder rating 260°C.

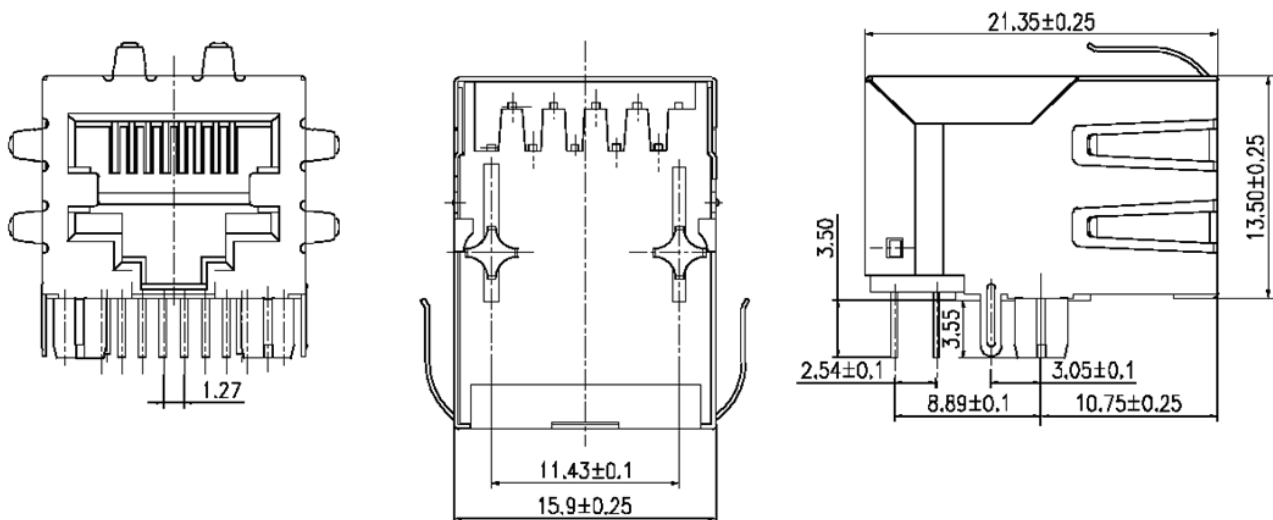


RJ45 Durability Testing Rating & Material Specification				
Part Number	Durability	Mating Force	Shield	
			Material	Finish
XMG-J1B105Z00	750 Insertions	5 lbs./2.268 kgs.	Brass	10-20m inches Nickel over

RJ45 Material Specification				
Part Number	Contact		Housing	
	Material	Plating Area	Material	Specification
XMG-J1B105Z00	Phosphor Brass	10-20m inches Nickel over selective gold plating 50μ inches	Thermoplastic	UL 94 V-0

* Operating temperature range: 0°C to +70°C. Storage temperature range: -25 degree to +125 degree

Mechanical



Units: mm.

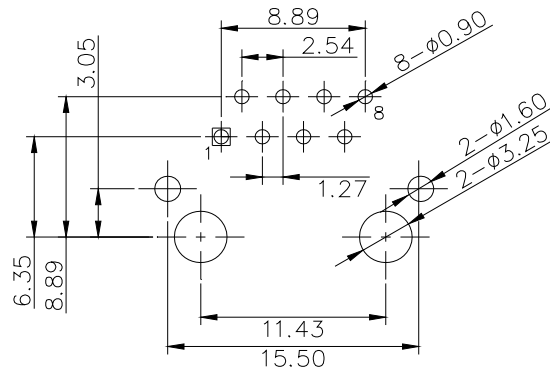
Tolerance: ±0.25 unless specified.

SINGLE RJ45 CONNECTOR MODULE

XMG-J1B105Z00

Page : 2/2

PCB Layout Mounting Hole (Top View)



NOTE:

Datasheet Change History:

V0	Datasheet Set Up