

SINGLE RJ45 CONNECTOR MODULE

XMG- J1B103Z00

Page : 1/2

- Single RJ45 connector.
- Suitable for CAT 5 & 6 Fast Ethernet Cable or better UTP.
- All materials are RoHS and UL94 V-0 compliant.
- RoHS peak solder rating 260°C.



RJ45 Durability Testing Rating & Material Specification

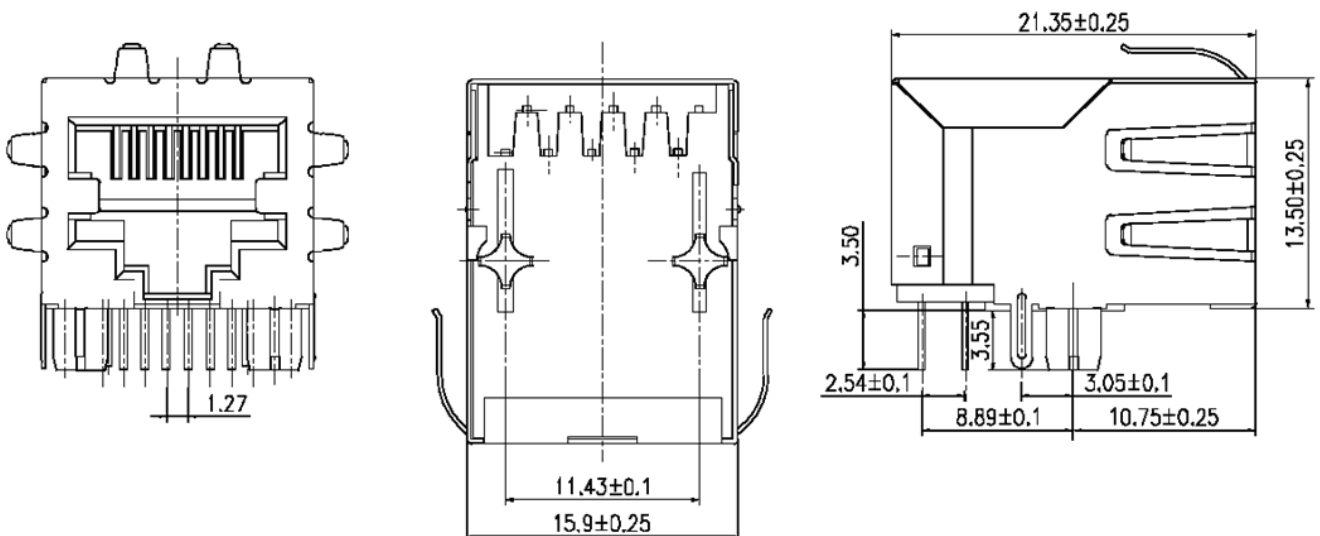
| Part Number | Durability | Mating Force | Shield | |
|---------------|----------------|-------------------|----------|---------------------------|
| | | | Material | Finish |
| XMG-J1B101Z00 | 750 Insertions | 5 lbs./2.268 kgs. | Brass | 10-20m inches Nickel over |

RJ45 Material Specification

| Part Number | Contact | | Housing | |
|---------------|----------------|--|---------------|---------------|
| | Material | Plating Area | Material | Specification |
| XMG-J1B101Z00 | Phosphor Brass | 10-20m inches Nickel over selective gold plating 6μ inches | Thermoplastic | UL 94 V-0 |

* Operating temperature range: 0°C to +70C. Storage temperature range: -25°C to +125°C.

MECHANICAL



Units: mm. and Tolerance: ±0.25 unless specified.

SINGLE RJ45 CONNECTOR MODULE

XMG- J1B103Z00

Page : 2/2

PCB LAYOUT

