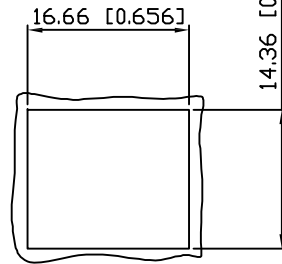
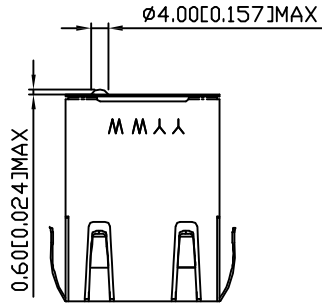


REV.	ECN.NO.	NAME	DATE
A	NEW	STEVEN	2010.06.11

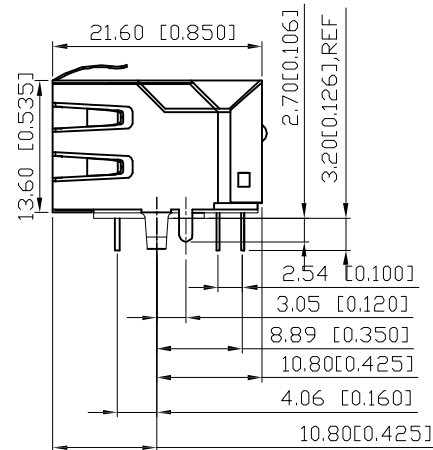
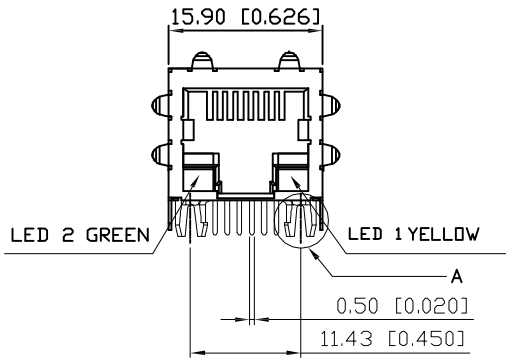
1. MECHANICAL DIMENSIONS :



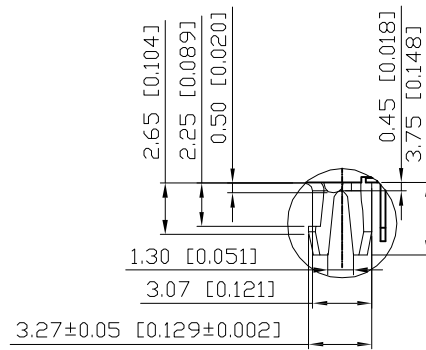
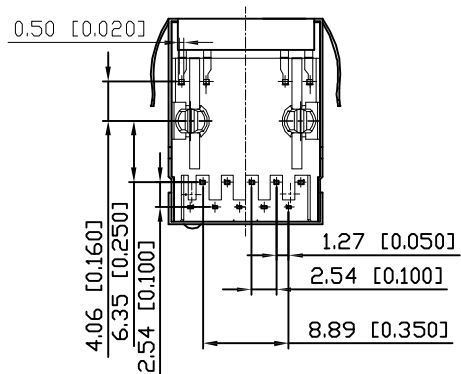
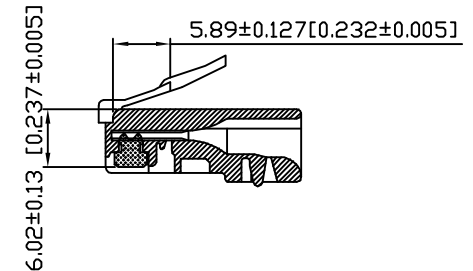
RECOMMENDED
PANEL CUTOUT DIMENSION

NOTES:

- MATERIALS:
HOUSING-PBT POLYESTER UL94V-0
MIXED GLASS FIBER,
STANDARD COLOR-BLACK.
CONTACTS-0.35mm THICK PHOS-BRONZE PLATED
WITH 30u" GOLD AND TIN
IN SOLDER AREA.
SHIELD-0.20mm THICK COPPER ALLOY,
PLATED WITH NICKEL.
- OPERATING TEMPERATURE : 0°C~70°C
- CAVITY CONFORMS TO FCC RULES AND REGULATIONS
PART 68,SUBPART F.



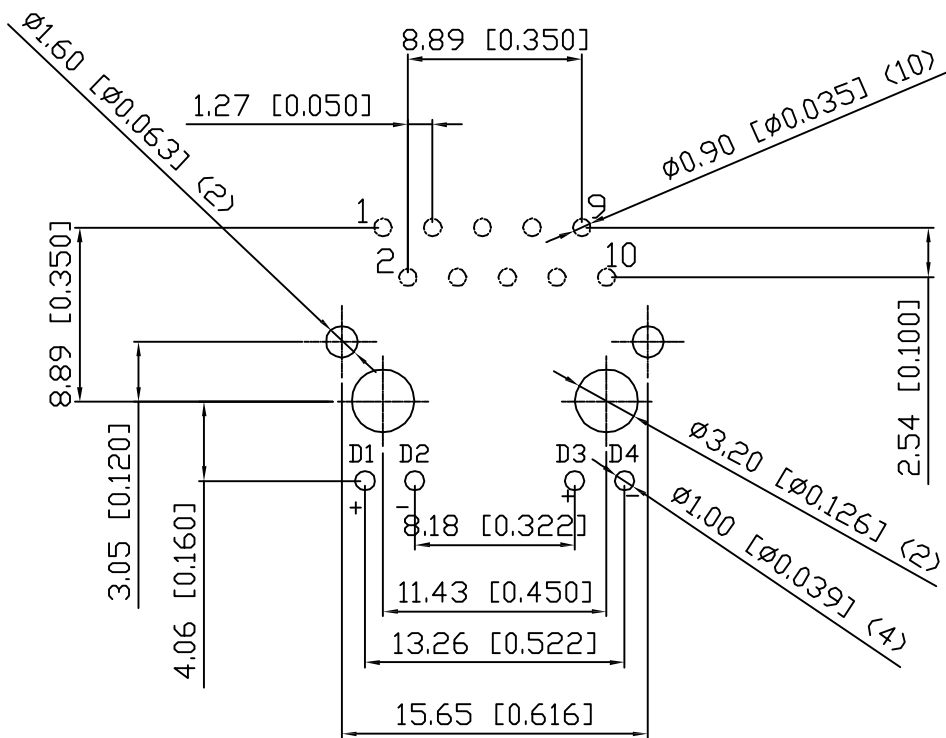
RECOMMENED PLUG DIMENSION:



DETAIL A
SCALE 2:1

TOLERANCE UNSPECIFIED		X MULTIPLE		CONNECTING THE INFORMATION AGE	
.	±0.50				
.0	±0.38	TITLE: RJ45, Connectors, W/LED,10P8C Shielded			
.00	±0.25	Thru Hole/10/100/1000Mbps FILTER			
.000	±0.10	DRAWN BY: STEVEN	SIZE: A4	UNIT: mm	PART NO.: XMG-EG-01A-4-H62-110-CEN
ANGLE	±3	CHECKED BY:	SCALE:1:1	PROJECTION	REV: A
MANUFACTURING COPY		APPROVED BY:	DWG . PATH		SHEET:1 OF 3

2. PCB LAYOUT :

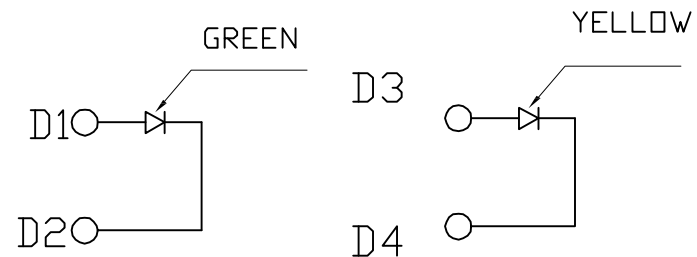


SUGGESTED PCB LAYOUT
(TOP VIEW)

DIMENSIONAL TOLERANCE: .XX ±0.05[0.002]

3. LED CONFIGURATION :

REV.	ECN.NO.	NAME	DATE
A	NEW	STEVEN	2010.06.11



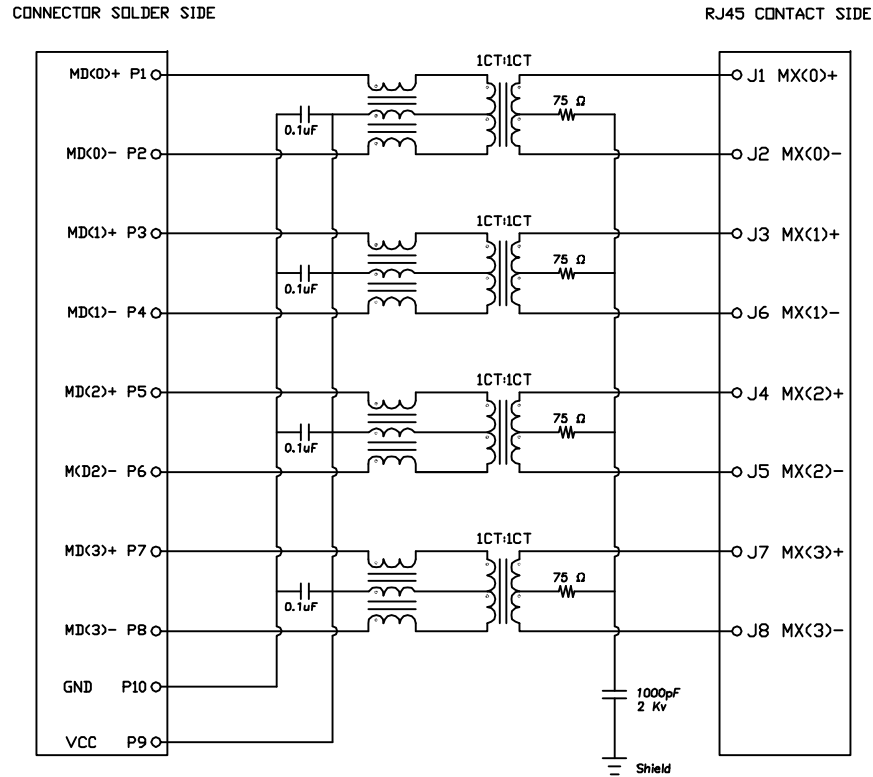
Color	Lens Color	Vf(v) @20mA		Iv(mcd) @10mA		Viewing angle
		Min	Max	Min	Typ	
Yellow	Yellow Diffused	1.7	2.8	3.0	6.0	116
Green	Green Diffused	1.7	2.8	3.5	6.0	116

RoHS Compliant

TOLERANCE UNSPECIFIED		X MULTIPLE		CONNECTING THE INFORMATION AGE	
.0	±0.50				
.00	±0.38	TITLE: RJ45, Connectors, W/LED,10P8C Shielded Thru Hole/10/100/1000Mbps FILTER			
.000	±0.25	SIZE: A4	UNIT: MM	PART NO. XMG-EG-01A-4-H62-110-CEN	
ANGLE	±0.10	SCALE:1:1		PROJECTION	REV:A
MANUFACTURING COPY	± 3°	DWG.PATH		SHEET 2 OF 3	

7	8
REV.	ECN.NO.
A	NEW
NAME	DATE
STEVEN	2010.06.11

4. SCHEMATIC:



5. ELECTRICAL CHARACTERISTICS :

TEST NOTES:(25°±5°C)

- TR:(100KHz,0.1V); 100%
PINS:(P1,P2):(J1,J2)=1:1±3%;(P3,P4):(J3,J6)=1:1±3%
PINS:(P5,P6):(J4,J5)=1:1±3%;(P7,P8):(J7,J8)=1:1±3%
- LX:(100KHz,100mV,8mA, DC Bias) 100%
PINS:(P1,P2),(P3,P4),(P5,P6),(P7,P8)=350uH MINIMUM
- DCR: 100%
PINS:(J1,J2),(J3,J6),(J4,J5),(J7,J8)=f0 MAXIMUM
- HIPOT: 100%
PINS(P1,P2)TO(J1,J2),(P3,P4)TO(J3,J6)=1500VAC FOR 2 SECONDS
PINS(P5,P6)TO(J4,J5),(P7,P8)TO(J7,J8)=1500VAC FOR 2 SECONDS
- INSERTION LOSS:
-1.0dB MAXIMUM AT 1MHz TO 100MHz;
- RETURN LOSS:
-20dB MINIMUM AT 1MHz TO 30MHz;
-15dB MINIMUM AT 30MHz TO 60MHz
-10dB MINIMUM AT 60MHz TO 80MHz
- CROSS TALK:
-30dB MINIMUM AT 1MHz TO 100MHz
- COMMON TO COMMON MODE REJECTION:
-30dB MINIMUM AT 1MHz TO 100MHz

TOLERANCE UNSPECIFIED		X MULTIPLE		CONNECTING THE INFORMATION AGE	
.	±0.50				
.0	±0.38	TITLE: RJ45, Connectors, W/LED,10P8C Shielded Thru Hole/10/100/1000Mbps FILTER			
.00	±0.25	DRAWN BY: STEVEN	SIZE: A4	UNIT: mm	PART NO: XMG-EG-01A-4-H62-110-CEN
.000	±0.10	CHECKED BY:	SCALE: 1:1	PROJECTION	REV: A
ANGLE	±3°	APPROVED BY:	DWG . PATH	SHEET: 3 OF 3	
MANUFACTURING COPY					