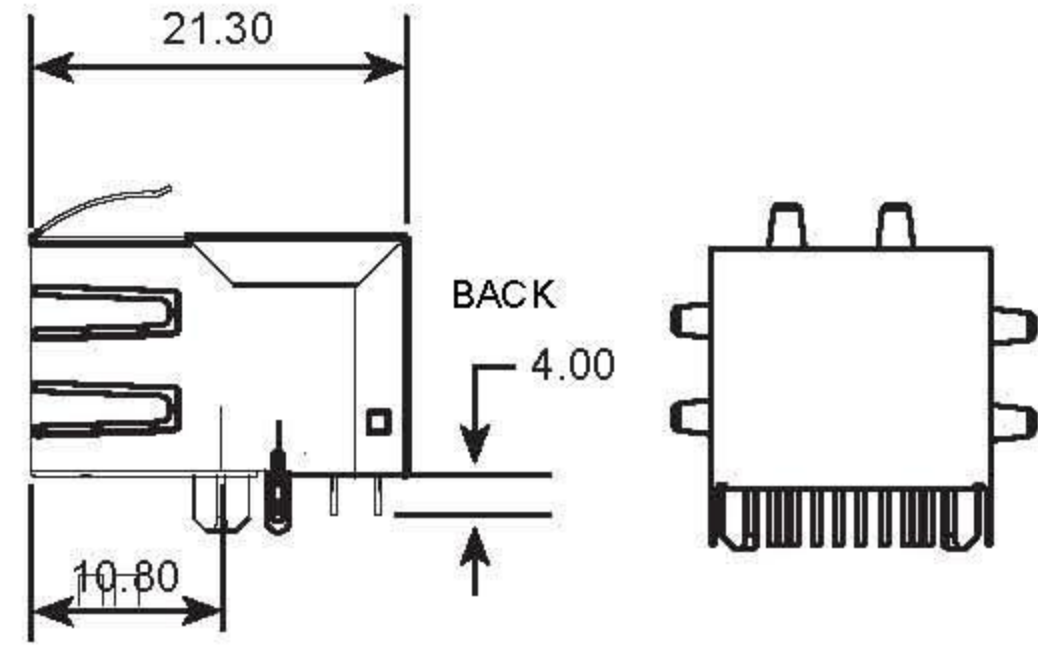
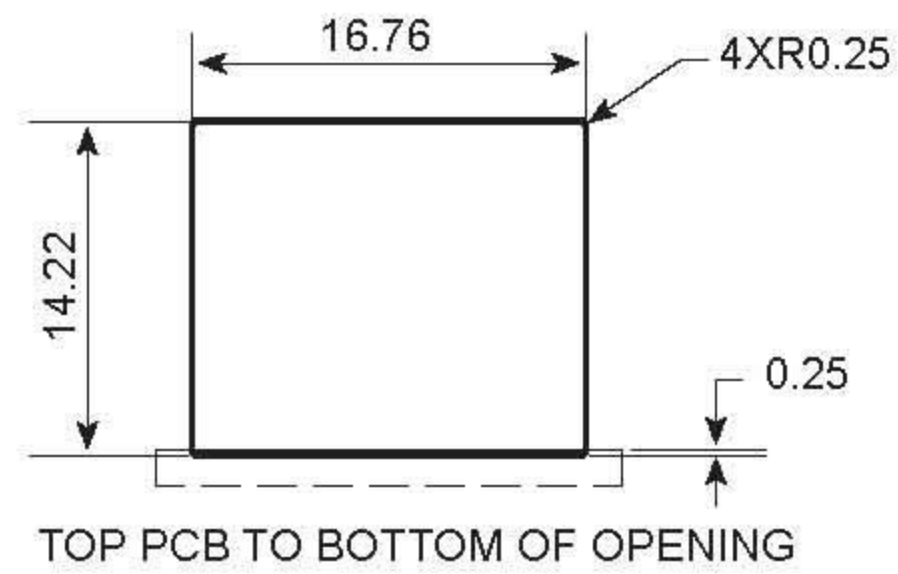
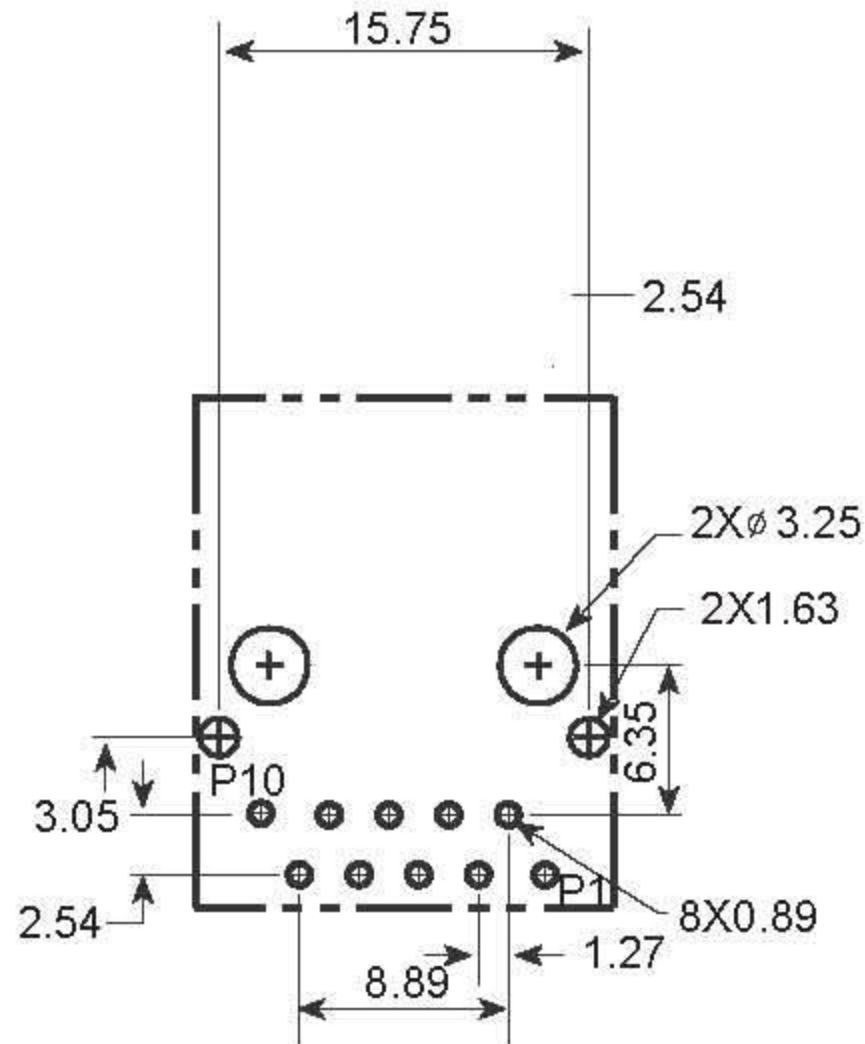


FRONT VIEW



SIDE VIEW



ELECTRICAL SPECIFICATIONS @ 25°C unless otherwise noted:

**Insertion Loss: 1-100MHZ -1.0dB MAX**

**Return Loss: 1-30MHZ -16.0dB MIN**

**30-60MHZ -12.0dB MIN**

**60-80MHZ -10.0dB MIN**

**Crosstalk: 1-30MHZ -40.0dB MIN**

**30-60MHZ -35.0dB MIN**

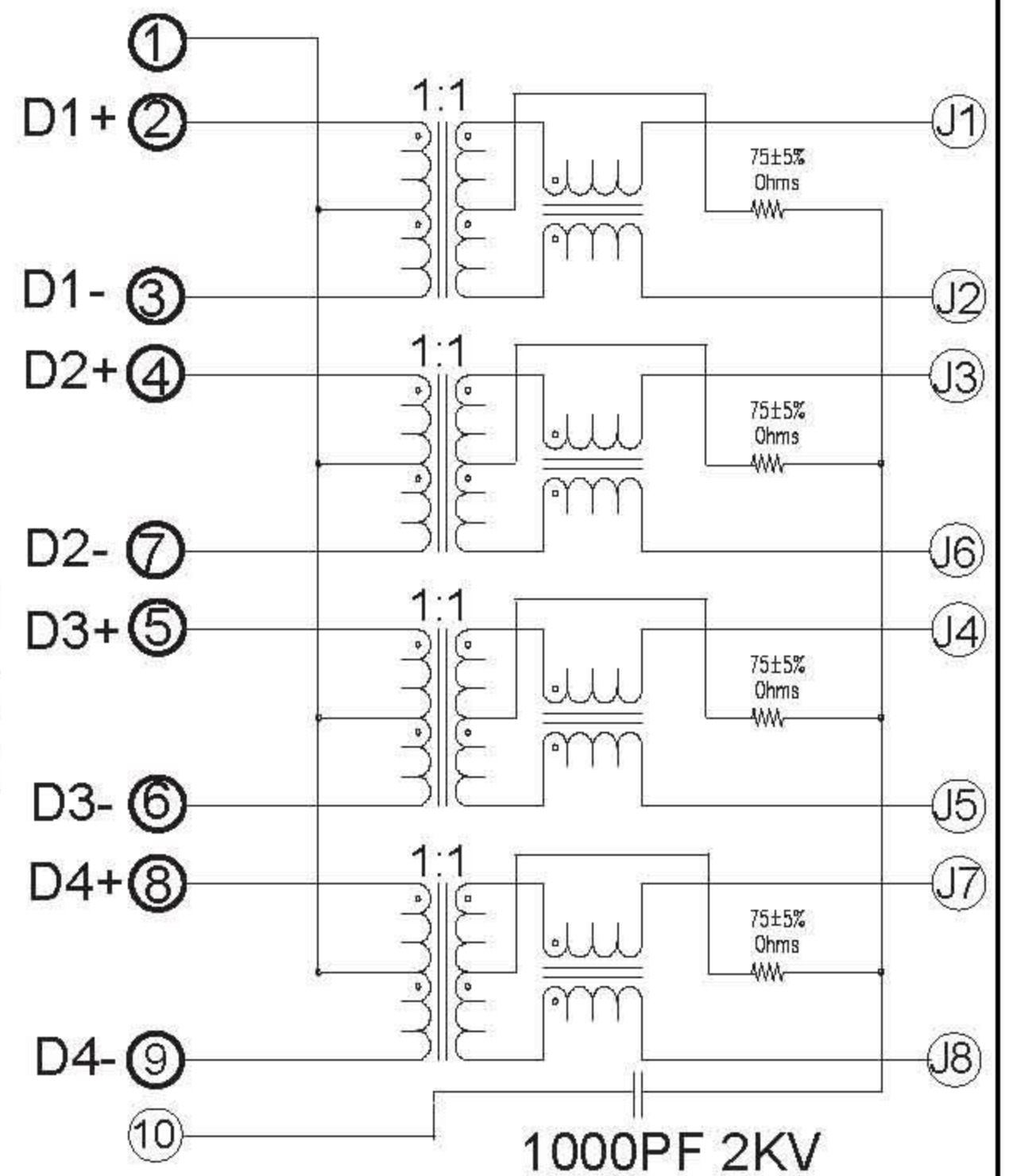
**60-100MHZ -30.0dB MIN**

**CMR: 1-50MHZ -30.0dB MIN**

**50-150MHZ -20.0dB MIN**

**Hipot:1500V AC 6S 1mA**

**OCL:350uH MIN @ 100KHZ 100mV 8mA DC**



**XMULTIPLE**

UNIT:mm

.XX +/-0.25, .XXX +/-0.13

**10/100BASE**

**1X1 Tab-Down RJ45**

Approved By: JP.GONG

**XMG-CSC-320CNL**

REV.  
**A**

Drafted by:Chen

SHEET 1 OF 1