



# 9805 TRANSFORMER TYPE 4

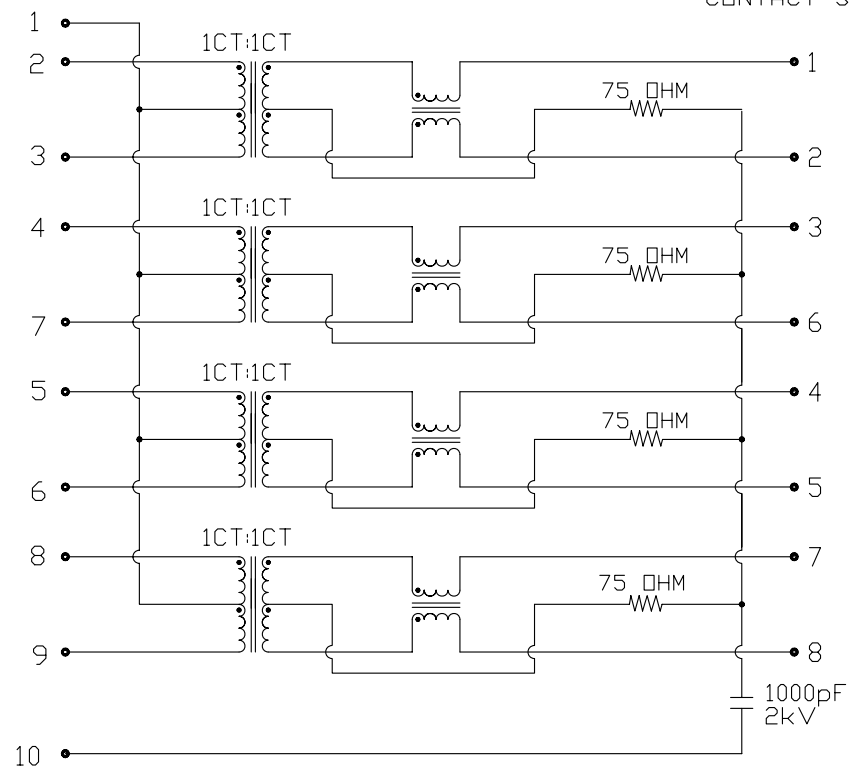
## ELECTRICAL CHARACTERISTICS

TEST NOTES: (25°±5°C)

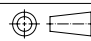
1. TR: (100KHz, 0.1V);  
 PINS:(2,3):(J1,J2)=1CT:1CT±3%;(4,7):(J3,J6)=1:1±3%  
 PINS:(5,6):(J4,J5)=1CT:1CT±3%;(8,9):(J7,J8)=1:1±3%
2. LX: (100KHz, 100mV, 8mA, DC Bias)  
 PINS: (J1,J2),(J3,J6),(J4,J5),(J7,J8)=350uH MINIMUM
3. DCR:  
 PINS: (2,3),(4,7),(5,6),(8,9)=1.5 OHMS MAXIMUM.  
 PINS: (J1,J2),(J3,J6),(J4,J5),(J7,J8)=1.5 OHMS MAXIMUM.
4. HIPOT:  
 PINS(2,3)TO(J1,J2):(4,7)TO(J3,J6)=1500VAC FOR 2 SECONDS  
 PINS(5,6)TO(J4,J5):(8,9)TO(J7,J8)=1500VAC FOR 2 SECONDS
5. INSERTION LOSS:  
 -0.4dB MAXIMUM AT 1MHz TO 15MHz  
 -0.6dB MAXIMUM AT 15MHz TO 60MHz  
 -1.1dB MAXIMUM AT 60MHz TO 100MHz
6. RETURN LOSS:  
 -16dB MINIMUM AT 1MHz TO 15MHz  
 -15dB MINIMUM AT 60MHz TO 80MHz  
 -12dB MINIMUM AT 80MHz TO 100MHz
7. CROSS TALK:  
 -35dB MINIMUM AT 1MHz TO 15MHz  
 -26dB MINIMUM AT 15MHz TO 30MHz  
 -24dB MINIMUM AT 30MHz TO 100MHz
8. COMMON TO DIFFERENTIAL MODE REJECTION  
 -46dB MINIMUM AT 1MHz TO 30MHz  
 -42dB MINIMUM AT 30MHz TO 100MHz

CONNECTOR SOLDER SIDE

RJ45 CONTACT SIDE



CONNECTOR SCHEMATIC

DO NOT SCALE DRAWING	TOLERANCES UNLESS OTHERWISE NOTED	INCH	MM	DR. <i>M.L.HUANG</i>	DATE FEB-10 '04	<i>XMULTIPLE</i>				
 THIRD ANGLE PROJECTION	LINEAR $\frac{\text{MM}}{\text{INCH}}$	$00 \pm .01$ $000 \pm .005$ $0000 \pm .002$	$0.0 \pm 0.38$ $0.00 \pm 0.25$ $0.000 \pm$	CK'D <i>M.CHANG</i>	FEB-10 '04	TITLE	TRANSFORMER TYPE 4 SPECIFICATION			
$\frac{\text{MM}}{\text{INCH}}$	ANGLE $\pm 0' 30''$	RADII	$+ 0.40$ $- 0.15$	APP'D <i>W.J.YANG</i>	FEB-11 '04	SCALE	SIZE	DWG.NO. 9805 SERIES	REV. 1	SHEET 1