

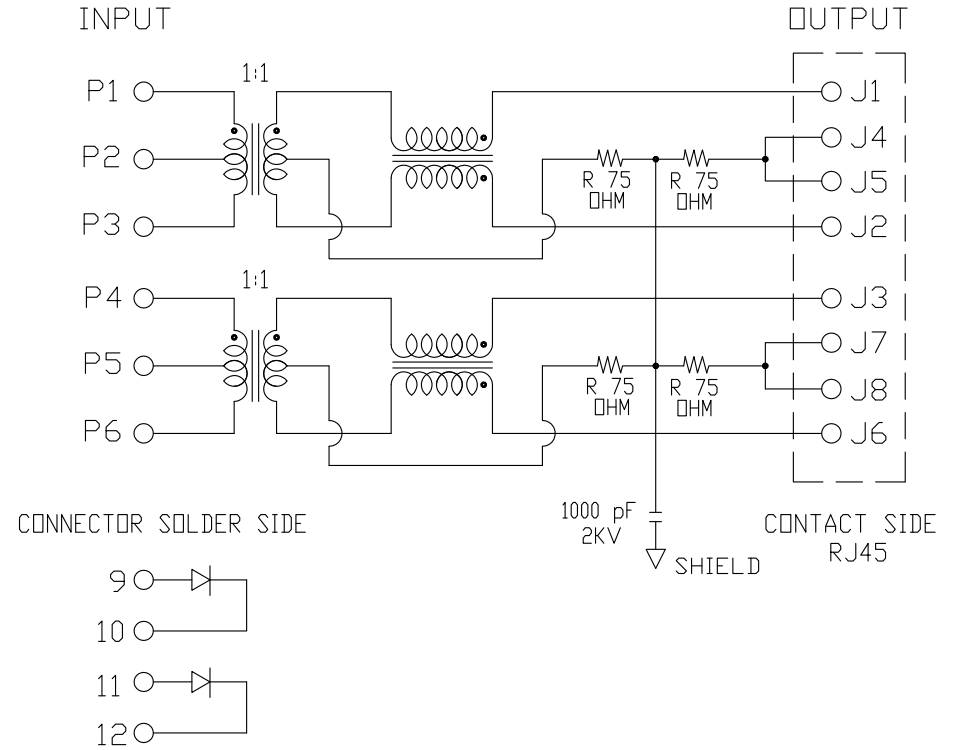


# 9799 TRANSFORMER TYPE X

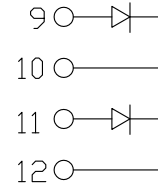
Specification :

Item	Parameter	Condition	Min.	Typ.	Max.	Unit	REMARK
1	Insertion loss	1-100 MHz			-1	dB	
2	Return loss	1-30 MHz	-20			dB	NOTE 1
		30-60 MHz	-15			dB	
		60-80 MHz	-11			dB	
3	Crosstalk	@1-100 MHz	-30			dB	
4	Hipot	Vrms	1.5			kV	
5	Turns Ratio (Chip : Cable)	TX: 1 : 1 RX: 1 : 1				CT	
6	Direct Current resistance					$\Omega$	
7	PRIMARY INDUCTANCE	@100 KHz, 0.1Vrms, 8mA (1-3),(4-6)	350			mH	

\*NOTE 1: LOAD 100 OHM.



CONNECTOR SOLDER SIDE



CONNECTOR SCHEMATIC

UltraMag™

DO NOT SCALE DRAWING	TOLERANCES UNLESS OTHERWISE NOTED	INCH	MM	DR. M.L.HUANG	DATE JUL-08 '03	XMULTIPLE				
THIRD ANGLE PROJECTION	LINEAR $\frac{\text{MM}}{\text{INCH}}$	$00 \pm .01$ $000 \pm .005$ $0000 \pm .002$	$0.0 \pm 0.38$ $0.00 \pm 0.25$ $0.000 \pm$	CK'D M.CHANG	JUL-08 '03	TITLE TRANSFORMER TYPE X SPECIFICATION				
MM INCH	ANGLE $\pm 0^\circ 30'$	RADII	$\pm 0.40$ $- 0.15$	APP'D W.J.YANG	JUL-09 '03	SCALE	SIZE	DWG.NO. 9799 SERIES	REV. 2	SHEET 1