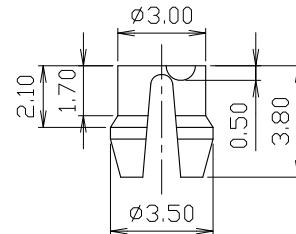
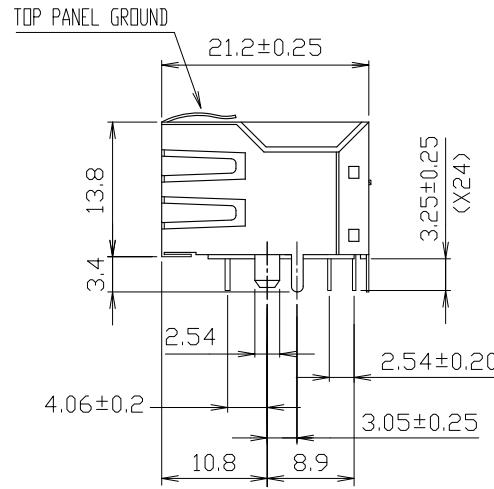
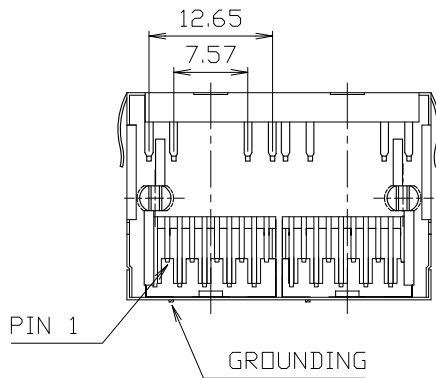
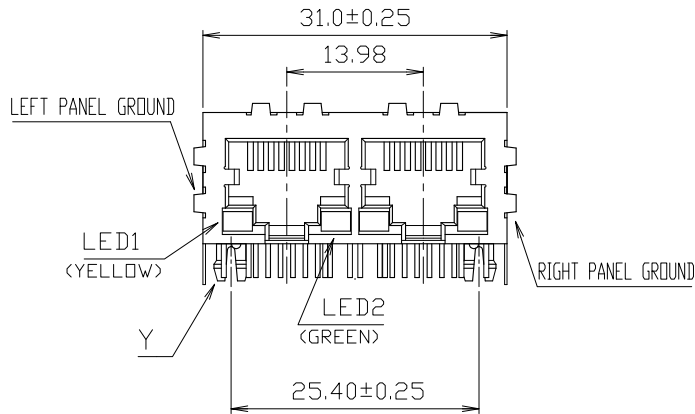
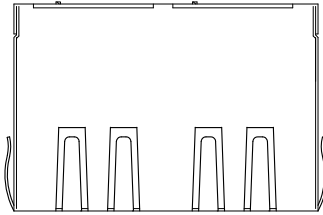
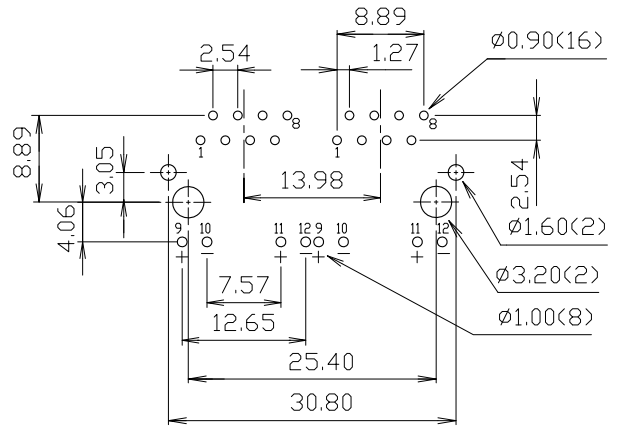


# RoHS Compliance



**DETAIL Y**



**PCB LAYOUT**

Ref.

- MATERIALS:**
- HOUSING-PBT POLYESTER UL94V-0 MIXED GLASS FIBER, STANDARD COLOR-BLACK.
  - CONTACTS-0.35mm THICK PHOS-BRONZE PLATED WITH 15u" HARD GOLD IN SOLDER AREA.
  - SHIELD-0.25mm THICK COPPER ALLOY, PLATED WITH NICKEL.
- CAVITY CONFIRMS TO FCC RULES AND REGULATIONS PART 68,SUBPART F.

DO NOT SCALE DRAWING	TOLERANCES UNLESS OTHERWISE NOTED	INCH	MM	DR. <i>M.L.HUANG</i>	DATE FEB-24 '10
THIRD ANGLE PROJECTION	LINEAR MM INCH	00 ± 000 ± 0000 ±	0.0 ± 0.25 0.00 ± 0.20 0.000 ± 0.10	CK'D <i>M.CHANG</i>	FEB-24 '10
MM INCH	ANGLE ± 0° 30'	RADII	+ 0.40 - 0.15	APP'D <i>W.J.YANG</i>	FEB-25 '10

***XMULTIPLE***

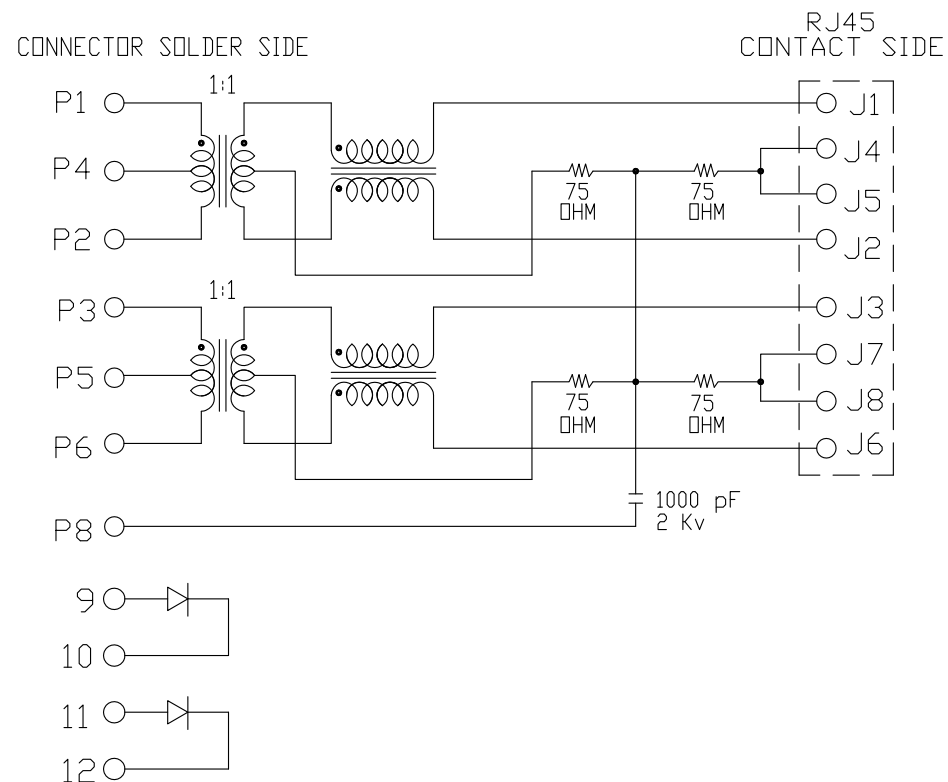
TITLE 2PORTS, RJ45, SHIELDED, WITH LED'S, WITH TRANSFORMER, SIDE ENTRY PCB JACK

SCALE SIZE DWG.NO.  
XMG-9799-8821-230D-L2TD-INC

# 9799 TRANSFORMER TYPE □

## Specification :

Item	Parameter	Condition	Min.	Typ.	Max.	Unit	REMARK
1	Insertion loss	1-100 MHz			-1	dB	
2	Return loss	1-30 MHz	-20			dB	
		30-60 MHz	-15			dB	
		60-80 MHz	-11			dB	
3	Primary Inductance @100KHz, 0.1Vrms, 8mA DC BIAS	<1-2>, <7-8>	350			mH	
4	Crosstalk	1-100 MHz	-30			dB	
5	Hipot	Vrms	1.5			kV	



CONNECTOR SCHEMATIC

DO NOT SCALE DRAWING		TOLERANCES UNLESS OTHERWISE NOTED		INCH	MM	DR. <i>M.L.HUANG</i>	DATE JUL-08 '03	<b><i>XMULTIPLE</i></b>			
THIRD ANGLE PROJECTION		LINEAR	MM INCH	00 ± .01 000 ± .005 0000 ± .002	0.0 ± 0.38 0.00 ± 0.25 0.000 ±	CK'D <i>M.CHANG</i>	JUL-08 '03	TITLE TRANSFORMER TYPE □ SPECIFICATION			
MM INCH	ANGLE ± 0° 30'	RADII		± 0.40 - 0.15	APP'D <i>W.J.YANG</i>	JUL-09 '03	SCALE	SIZE	DWG.NO. 9799 SERIES	REV. 2	SHEET 1