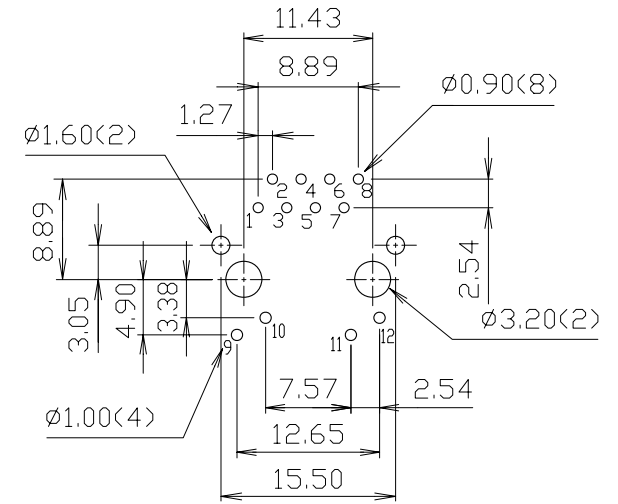


- MATERIALS:
- HOUSING-PBT POLYESTER UL94V-0 MIXED GLASS FIBER. STANDARD COLOR-BLACK.
  - CONTACTS-0.35mm THICK PHOS-BRONZE PLATED WITH 15u" HARD GOLD AND GOLD FLASH ON SOLDER AREA.
  - SHIELD-0.25mm THICK COPPER ALLOY, PLATED WITH NICKEL.

CAVITY CONFIRMS TO FCC RULES AND REGULATIONS PART 68,SUBPART F.



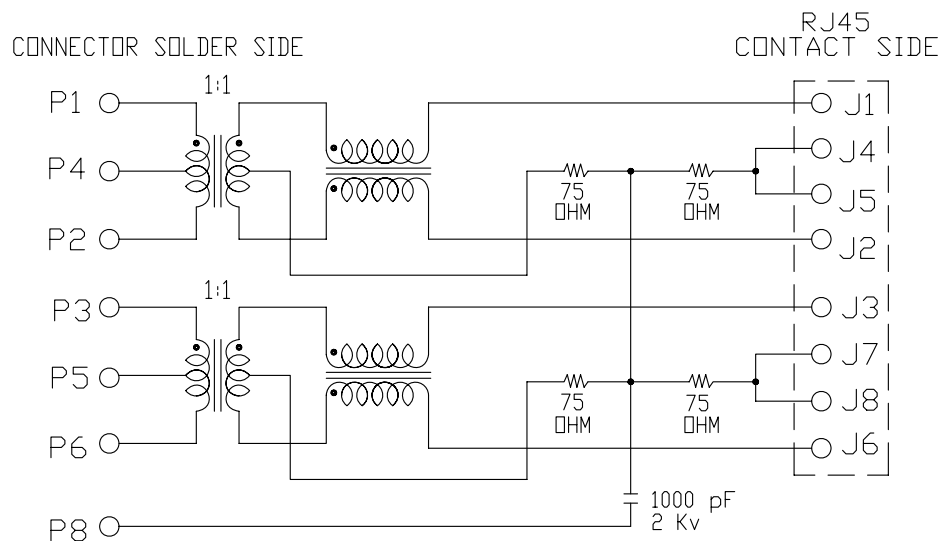
PC Board Layout Ref.

DO NOT SCALE DRAWING	TOLERANCES UNLESS OTHERWISE NOTED	INCH	MM	DR. <i>M.L.HUANG</i>	DATE JUL-14 '10	<h1><i>XMULTIPLE</i></h1>	
THIRD ANGLE PROJECTION	LINEAR	$00 \pm .01$ $000 \pm .005$ $0000 \pm .002$	$0.0 \pm 0.25$ $0.00 \pm 0.13$ $0.000 \pm 0.05$	CK'D <i>M.CHANG</i>	JUL-14 '10		TITLE SINGLE PORT, RJ45, SHIELDED, WITH LED WITH TRANSFORMER, SIDE ENTRY PCB JACK
MM INCH	ANGLE $\pm 0^{\circ} 30'$	RADII	$+ 0.40$ $- 0.15$	APP'D <i>W.J.YANG</i>	JUL-15 '10		SCALE SIZE DWG.NO. XMG-9799-8821-100D-L1TD-C

# 9799 TRANSFORMER TYPE □

## Specification :

Item	Parameter	Condition	Min.	Typ.	Max.	Unit	REMARK
1	Insertion loss	1-100 MHz			-1	dB	
2	Return loss	1-30 MHz	-20			dB	
		30-60 MHz	-15			dB	
		60-80 MHz	-11			dB	
3	Primary Inductance @100KHz, 0.1Vrms, 8mA DC BIAS	<1-2>, <7-8>	350			mH	
4	Crosstalk	1-100 MHz	-30			dB	
5	Hipot	Vrms	1.5			kV	



CONNECTOR SCHEMATIC

DO NOT SCALE DRAWING		TOLERANCES UNLESS OTHERWISE NOTED		INCH	MM	DR. <i>M.L.HUANG</i>	DATE JUL-08 '03	<i><b>XMULTIPLE</b></i>					
THIRD ANGLE PROJECTION	MM INCH	LINEAR	MM INCH	00 ± .01 000 ± .005 0000 ± .002	0.0 ± 0.38 0.00 ± 0.25 0.000 ±	CK'D <i>M.CHANG</i>	JUL-08 '03	TITLE	TRANSFORMER TYPE □ SPECIFICATION			REV.	SHEET
		ANGLE ± 0° 30'	RADII	± 0.40 - 0.15	APP'D <i>W.J.YANG</i>	JUL-09 '03	SCALE	SIZE	DWG.NO.	9799 SERIES	2	1	