



# SPECIFICATION FOR APPROVAL

<b>XMULTIPLE</b>		
MARKETING GROUP	R&D GROUP	QA GROUP
ISSUED BY	CHECKED BY	QA INSPECTION
Cary	De	XuLong

## CUSTOMER

CUSTOMER APPROVAL:

APPROVAL     
  CONCESSIONARY     
  REJECTED

ISSUED BY : \_\_\_\_\_

CHECKED BY: \_\_\_\_\_

APPROVED BY: \_\_\_\_\_

COMMENTS : \_\_\_\_\_  
 \_\_\_\_\_

CUSTOMER: \_\_\_\_\_

CUSTOMER PART NO: \_\_\_\_\_

SAMPLE Q'TY: \_\_\_\_\_

TITLE 10Gigabit RJ45 1X1 Tab Down with LED									
PART NO. XMG-9771-AH51150-412				GENERAL TOLERANCE			UNIT:MM (INCH)		SIZE: A4
DRAW	Cary	DATE	2014-03-27	. X±0.25	. X±1°	SCALE: 1:1		SHEET: 1/6	
CHECK	Chris	DATE	2014-03-27	. XX±0.15	. XX±5°				
APPROVE	De	DATE	2014-03-27	. XXX±0.10					
								REV: B	

PRODUCT DRAWING (B)

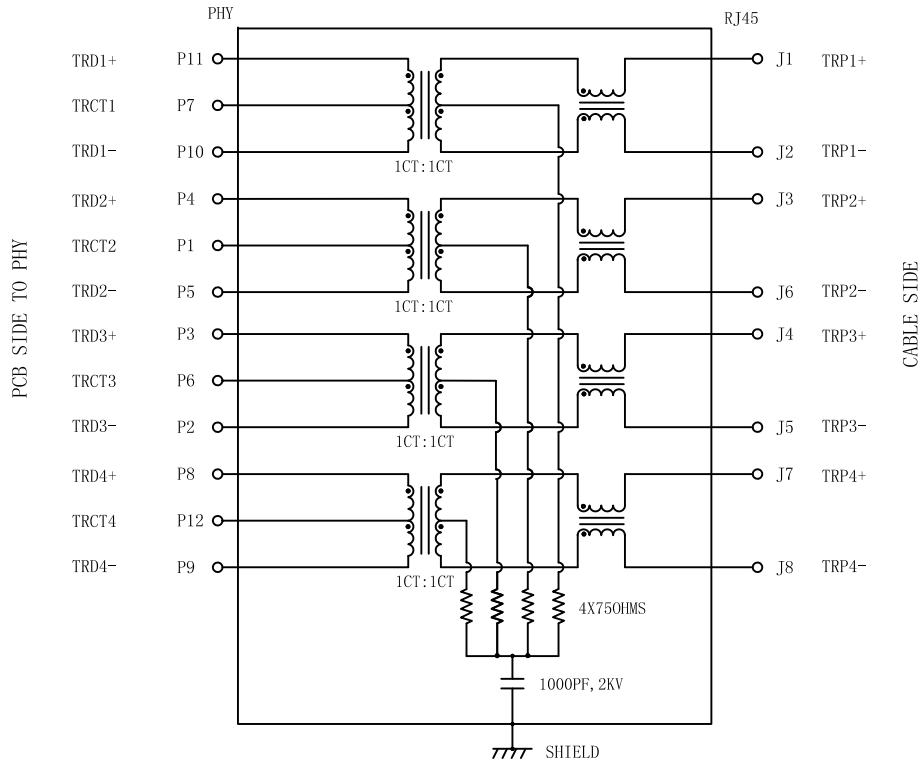


## ISSUE RECORD

REV	DESCRIPTION OF CHANGE	REVIEWED BY	APPROVED BY	ISSUE DATE
A	FIRST ISSUE	Chris	De	2013-9-14
B	UPDATED LOGO AND VERSION	Cary	De	2014-3-27

TITLE						10Gigabit RJ45 1X1 Tab Down with LED									
PART NO.						XMG-9771-AH51150-412		GENERAL TOLERANCE				UNIT:MM (INCH)		SIZE: A4	
DRAW	Cary	DATE	2014-03-27	.X±0.25	.X±1°	SCALE: 1:1		SHEET: 2/6		REV:B					
CHECK	Chris	DATE	2014-03-27	.XX±0.15	.XX±5°										
APPROVE	De	DATE	2014-03-27	.XXX±0.10											

**SCHEMATIC:**



**ELECTRICAL CHARACTERISTICS @ 25°C**



**TURN RATIO:**

- (P11-P10):(J1-J2)=1:1 ±3%.
- (P4-P5):(J3-J6)=1:1 ±3%.
- (P3-P2):(J4-J5)=1:1 ±3%.
- (P8-P9):(J7-J8)=1:1 ±3%.

**PRIMARY INDUCTANCE:**

100uH MIN.@100KHz,100mV

**Insertion Loss:**

1MHz~20MHz	-0.8dB MAX.
50MHz	-1.0dB MAX.
200MHz	-1.2dB MAX.
400MHz	-2.0dB MAX.
500MHz	-3.0dB MAX.

**Return Loss: (Load:100 ohms)**

1MHz~40 MHz	-22dB MIN.
40MHz~100MHz	-20dB MIN.
100MHz~200 MHz	-18dB MIN.
200MHz~300 MHz	-15dB MIN.
300MHz~400 MHz	-10dB MIN.
400MHz~500 MHz	-8dB MIN.

**CM to CM Rejection:**

1MHz~500 MHz -20dB MIN.

**CM to DM Rejection:**

1MHz~250MHz -30dB MIN.  
250MHz~500 MHz -22dB MIN.

**Cross Talk:**

1MHz~100MHz -30dB MIN.  
100MHz~500MHz -20dB MIN.

**HI-POT TEST:**

PCB SIDE TO CABLE SIDE AND SHIELD 2250V DC 60 SECOND

**LED ELECTRICAL / OPTICAL CHARACTERISTICS:**

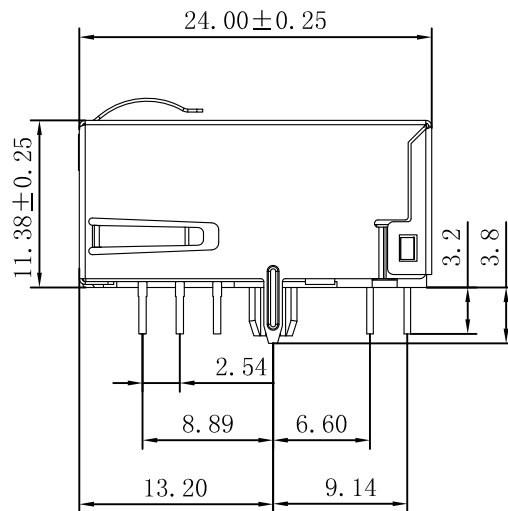
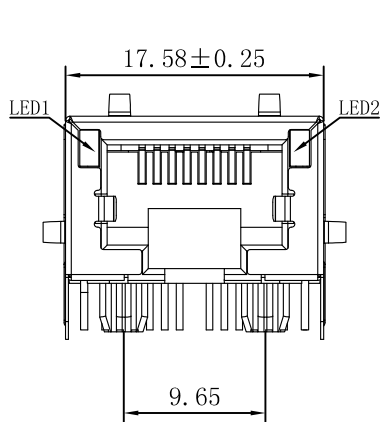
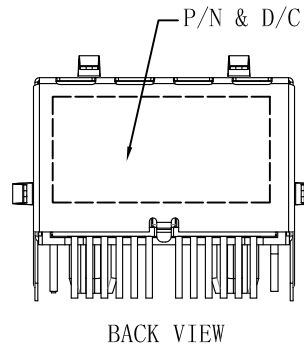
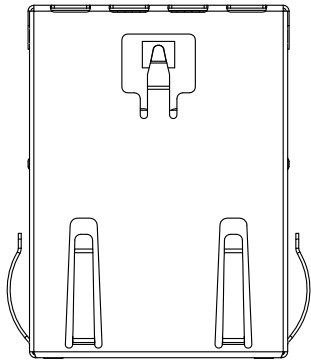
COLOR	IF	VF (FORWARD VOLTAGE)	λ D DOMINANT WAVELENGTH
GREEN	20mA	2.2 V	565nm
YELLOW	20mA	2.1 V	590nm

TITLE 10Gigabit RJ45 1X1 Tab Down with LED									
PART NO. XMG-9771-AH51150-412				GENERAL TOLERANCE			UNIT:MM (INCH)	SIZE: A4	
DRAW	Cary	DATE	2014-03-27	.X±0.25	.X±1°	SCALE: 1:1	SHEET: 3/6	REV:B	
CHECK	Chris	DATE	2014-03-27	.XX±0.15	.XX±5°				
APPROVE	De	DATE	2014-03-27	.XXX±0.10					

PRODUCT DRAWING (B)



MECHANICAL DIMENSION



1. MATERIALS AND FINISH

HOUSING: GLASS FILED POLYESTER UL94V-0 PANTONE BLACK  
 CONTACT: PHOSPHOR BRONZE T=0.35MM FLAT PIN  
 PLATING: 15 U" GOLD PLATING OVER NICKEL  
 SHIELD: 0.20MM THICKNESS COPPER ALLOY WITH NICKEL PLATED  
 PCB RETENTION FRE-SOLDER: 1LB MIN.  
 SIGNAL PINS & LED PINS: 150U"~200U" TIN(SN)PLATING FINISH MIN.  
 OVER 30U"~50U" NICKEL(RoHS6)

2. MECHANICAL CHARACTERISTICS

DURABILITY: 750(MODULAR JACK) INSERTION/PLUG DIMENSION CYCLES

3. ELECTRICAL

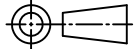
CONTACT RESISTANCE: 30 MILLIOHMS MAX.  
 INSULATION RESISTANCE: 500 MEGOHMS MIN.  
 DIELECTRIC STRENGTH: 1500 VAC RMS 60HZ, 1MIN.

4. ENVIRONMENTAL

OPERATING TEMPERATURE: 0°C~+70°C  
 STORAGE TEMPERATURE: -40°C~+85°C

5. DESIGN AND CONSTRUCTION

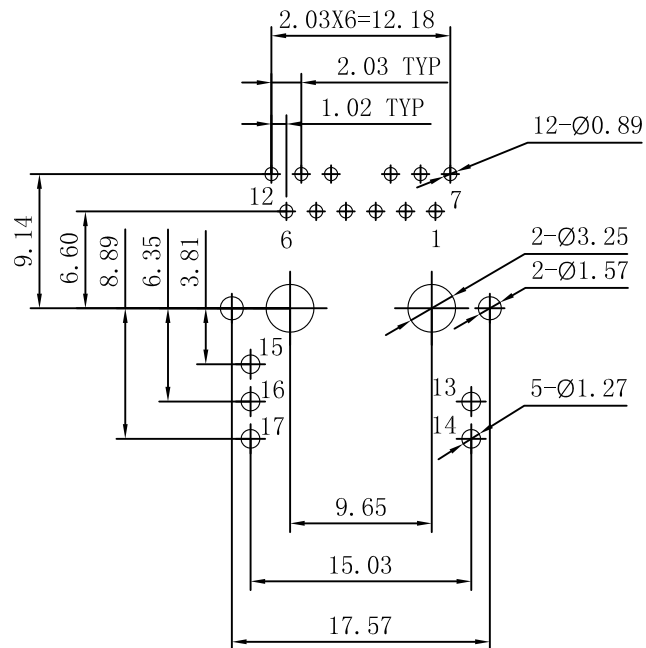
COMPLIES WITH IEEE802.3 STANDARDS AND ALL 10/100/1000 ETHERNET SPECIFICATIONS  
 MATES WITH MODULAR PLUG CONFORMING TO FCC PART 68 SUBPART F.

TITLE						10Gigabit RJ45 1X1 Tab Down with LED				
PART NO.			GENERAL TOLERANCE					UNIT:MM (INCH)	SIZE: A4	
XMG-9771-AH51150-412										
DRAW	Cary	DATE	2014-03-27	.X±0.25	.X±1°	SCALE: 1:1		SHEET: 4/6		REV: B
CHECK	Chris	DATE	2014-03-27	.XX±0.15	.XX±5°					
APPROVE	De	DATE	2014-03-27	.XXX±0.10						

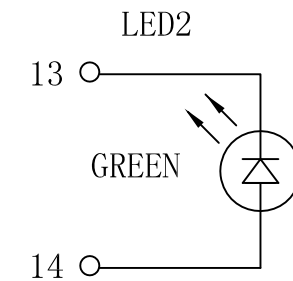
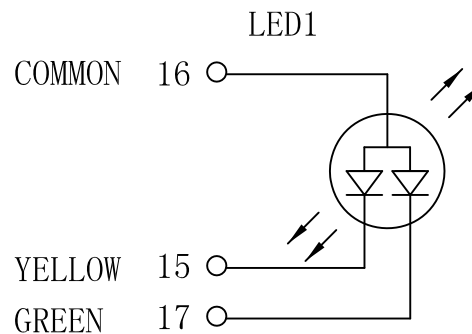
PRODUCT DRAWING (B)



RECOMMENDED PCB LAYOUT AND LED: UNIT: ( mm)



RECOMMENDED PCB LAYOUT  
(COMPONENT SIDE VIEW)



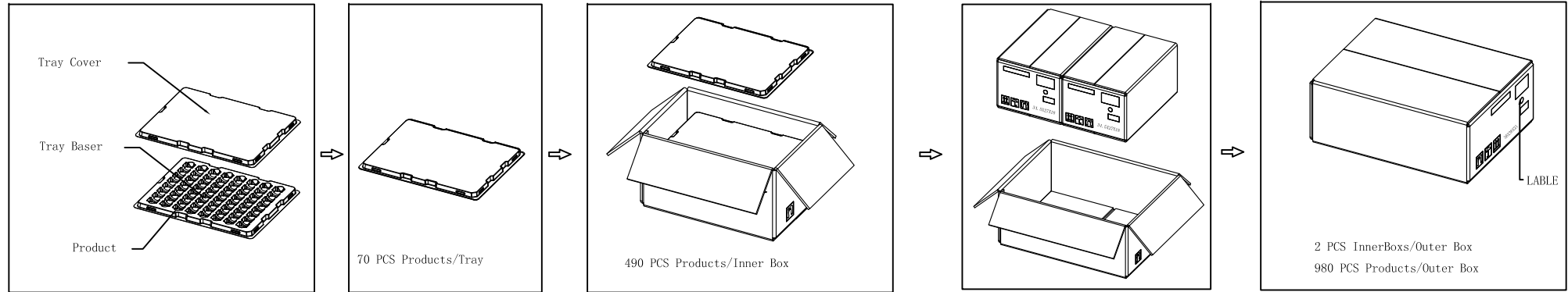
LED 1 POLARITY				LED 2 POLARITY		
15	16	17	COLOR	L3	L4	COLOR
-	+	/	YELLOW	-	+	GREEN
/	+	-	GREEN	/	/	/

TITLE 10Gigabit RJ45 1X1 Tab Down with LED								
PART NO. XMG-9771-AH51150-412			GENERAL TOLERANCE			UNIT:MM (INCH)	SIZE: A4	
DRAW	Cary	DATE	2014-03-27	.X±0.25	.X±1°	SCALE: 1:1	SHEET: 5/6	REV:B
CHECK	Chris	DATE	2014-03-27	.XX±0.15	.XX±5°			
APPROVE	De	DATE	2014-03-27	.XXX±0.10				

PRODUCT DRAWING (B)



PACKAGE INFORMATION AND LABLE



PACKING QUANTITY : 70 PCS FINISHED GOODS PER TRAY  
 14 TRAYS (980 PCS FINISHED GOODS) PER CARTON BOX

NOTE : CARDBOARDS ARE PLACED BETWEEN LAYERS OF PACKING TRAY INSIDE CARTON BOX  
 (INCLUDE THE UPPERMOST AND LOWERMOST TRAY)

TITLE						10Gigabit RJ45 1X1 Tab Down with LED				
PART NO.			XMG-9771-AH51150-412			GENERAL TOLERANCE			UNIT:MM (INCH)	SIZE: A4
DRAW	Cary	DATE	2014-03-27	.X±0.25	.X±1°	SCALE: 1:1	SHEET: 6/6		REV:B	
CHECK	Chris	DATE	2014-03-27	.XX±0.15	.XX±5°					
APPROVE	De	DATE	2014-03-27	.XXX±0.10						

PRODUCT DRAWING (B)