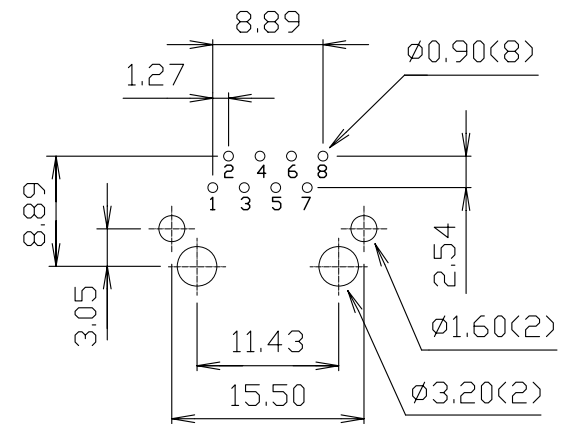


DETAIL Y

- MATERIAL:
- HOUSING-PBT POLYESTER UL94V-0 MIXED GLASS FIBER. STANDARD COLOR-BLACK
 - CONTACTS-0.35mm THICK PHOS-BRONZE WITH HARD GOLD AND GOLD FLASH PLATED IN SOLDER AREA.
 - SHIELD-0.25mm THICK COPPER ALLOY, PLATED WITH NICKEL.

CAVITY CONFIRMS TO FCC RULES AND REGULATIONS PART 68,SUBPART F.

OPERATING TEMPERATURE -40°C TO 80°C



PC Board Layout Ref.

XMULTIPLE

TITLE SINGLE PORT, RJ45, SHIELDED, FLAT PIN WITH TRANSFORMER, SIDE ENTRY PCB JACK

SCALE SIZE DWG.NO.
XMG-9759-882X-130D-TA-A-COT

DO NOT SCALE DRAWING

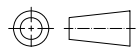
TOLERANCES UNLESS OTHERWISE NOTED

INCH

MM

DR.
H.W.CHAN

DATE
OCT-31 '07



THIRD ANGLE PROJECTION

LINEAR $\frac{\text{MM}}{\text{INCH}}$

00 ± .01
000 ± .005
0000 ± .002

0.0 ± 0.25
0.00 ± 0.13
0.000 ± 0.05

CK'D
M.CHANG

OCT-31 '07

MM
INCH

ANGLE ± 0° 30'

RADII

+ 0.40
- 0.15

APP'D
W.J.YANG

NOV-01 '07

9759 TRANSFORMER TYPE A

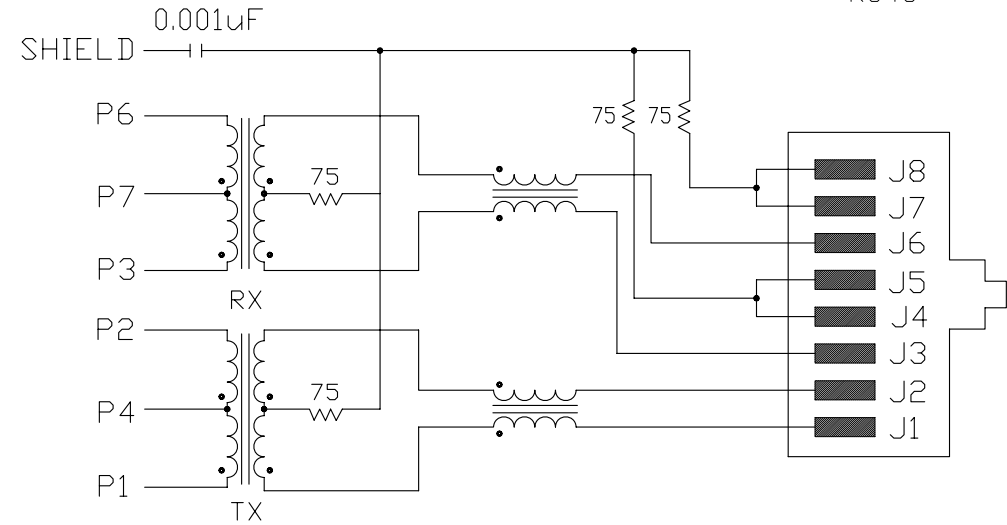
Specification :

Item	Parameter	Condition	Min.	Typ.	Max.	Unit	REMARK
1	Insertion loss	@1-100 MHz			-1.0	dB	
2	Return loss	@1-30 MHz	-16			dB	NOTE 1
		@30-60 MHz				dB	
		@60-80 MHz	-10			dB	
3	QCL	100 KHz	350			μ H	
4	Crosstalk	@1-60 MHz	-40			dB	
		@60-100 MHz	-38			dB	
5	CMRR(TX/RX)	@1-60 MHz	-45/40			dB	
		@60-100 MHz	-35			dB	
6	Hipot	V _{rms}	1.5			kV	
7	Turns Ratio (Chip : Cable)	TX: 1 : 1 RX: 1 : 1				CT	
8	Direct Current resistance					Ω	

*NOTE 1: Greater than $(16-20 \text{ Log } (f/30\text{MHz}))$ dB.

CONNECTOR SOLDER SIDE

CONTACT SIDE
RJ45



CONNECTOR SCHEMATIC

DO NOT SCALE DRAWING	TOLERANCES UNLESS OTHERWISE NOTED	INCH	MM	DR. <i>M.L.HUANG</i>	DATE JUL-07 '03	<i>XMULTIPLE</i>				
THIRD ANGLE PROJECTION	LINEAR $\frac{\text{MM}}{\text{INCH}}$	$00 \pm .01$ $000 \pm .005$ $0000 \pm .002$	0.0 ± 0.38 0.00 ± 0.25 $0.000 \pm$	CK'D <i>M.CHANG</i>	JUL-07 '03					TITLE
MM INCH	ANGLE $\pm 0^{\circ} 30'$	RADII	± 0.40 $- 0.15$	APP'D <i>W.J.YANG</i>	JUL-08 '03	SCALE	SIZE	DWG.NO. 9759 SERIES	REV. 4	SHEET 1