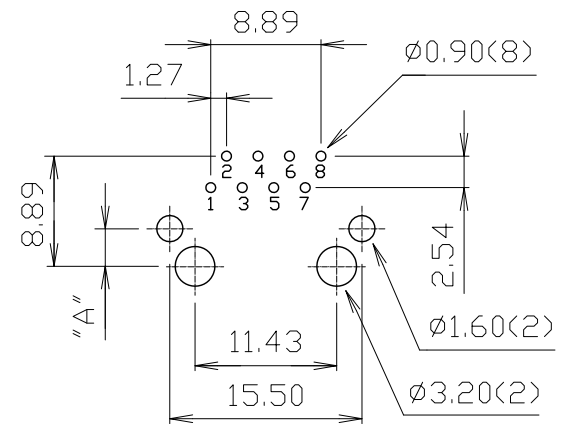


DETAIL Y

MATERIAL:

- HOUSING-PBT POLYESTER UL94V-0 MIXED GLASS FIBER. STANDARD COLOR-BLACK
- CONTACTS-0.35mm THICK PHOS-BRONZE WITH 6u" HARD GOLD AND GOLD FLASH PLATED IN SOLDER AREA.
- SHIELD-0.20mm THICK COPPER ALLOY, PLATED WITH NICKEL.

CAVITY CONFIRMS TO FCC RULES AND REGULATIONS PART 68,SUBPART F.



PC Board Layout Ref.

XMULTIPLE

DO NOT SCALE DRAWING

TOLERANCES UNLESS OTHERWISE NOTED

INCH

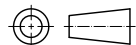
MM

DR.

MEI.LIU

DATE

JUN-23 '117



THIRD ANGLE PROJECTION

LINEAR $\frac{\text{MM}}{\text{INCH}}$

00 ± .01
000 ± .005
0000 ± .002

0.0 ± 0.25
0.00 ± 0.13
0.000 ± 0.05

CK'D

M.CHANG

JUN-23 '117

TITLE SINGLE PORT, RJ45, SHIELDED, FLAT PIN WITH TRANSFORMER, SIDE ENTRY PCB JACK

MM
INCH

ANGLE ± 0° 30'

RADII

+ 0.40
- 0.15

APP'D

W.J.YANG

JUN-24 '117

SCALE SIZE DWG.NO.
XMG-9759-8824-130D-TS-A

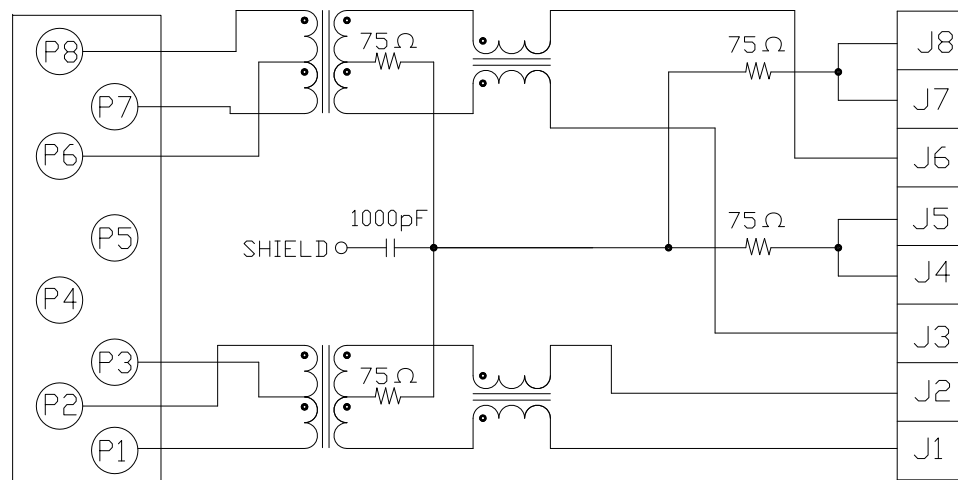
9759 TRANSFORMER TYPE S

Specification :

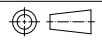
Item	Parameter	Condition	Min.	Typ.	Max.	Unit	REMARK
1	Insertion loss	1-100 MHz			-1	dB	
2	Return loss	1-30 MHz	-20			dB	
		30-60 MHz	-15			dB	
		60-80 MHz	-11			dB	
3	Crosstalk	1-100 MHz	-30			dB	
4	Hipot	Vrms	1.5			kV	
5	Primary Inductance @100KHz, 0.1Vrms, 8mA	(1-2),(3-6)	350			μH	

CONNECTOR SOLDER SIDE

RJ45 CONTACT SIDE



CONNECTOR SCHEMATIC

DO NOT SCALE DRAWING	TOLERANCES UNLESS OTHERWISE NOTED	INCH	MM	DR. M.L.HUANG	DATE JUL-07 '03	<i>XMULTIPLE</i>	
 THIRD ANGLE PROJECTION	LINEAR $\frac{\text{MM}}{\text{INCH}}$	$\frac{00 \pm .01}{000 \pm .005}$ $\frac{0000 \pm .002}{0.00 \pm 0.25}$	$\frac{0.0 \pm 0.38}{0.00 \pm 0.25}$ $\frac{0.000 \pm}{0.000 \pm}$	CK'D M.CHANG	JUL-07 '03		TITLE TRANSFORMER TYPE S SPECIFICATION
$\frac{\text{MM}}{\text{INCH}}$	ANGLE $\pm 0^\circ 30'$	RADII	$\frac{+ 0.40}{- 0.15}$	APP'D W.J.YANG	JUL-08 '03		SCALE SIZE DWG.NO. XMG-9759-8824-130D-TS-A