

9759 TRANSFORMER TYPE 11

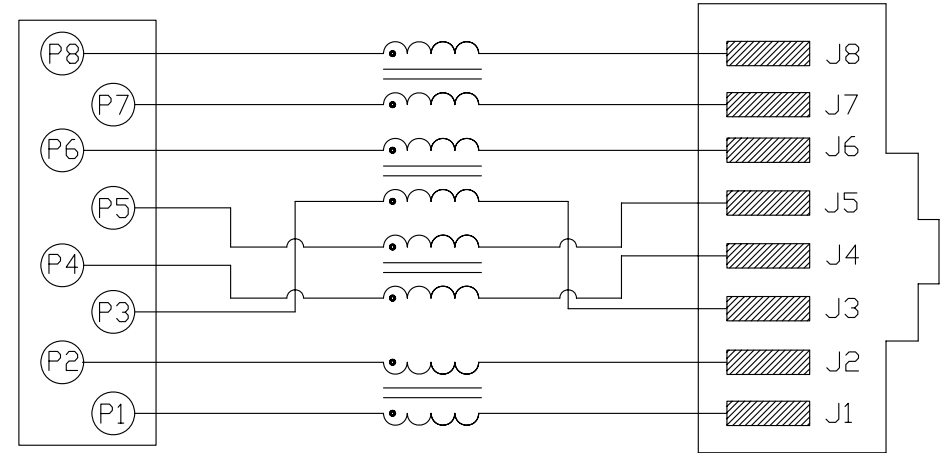
Specification :

Item	Parameter	Condition	Min.	Typ.	Max.	Unit	REMARK
1	Common Mode Attenuation	Frequency (MHz) 1	5	8		dB	
		Frequency (MHz) 5	15	17		dB	
		Frequency (MHz) 20	15	23		dB	
		Frequency (MHz) 70	20	25		dB	
		Frequency (MHz) 200	17	22		dB	
		Frequency (MHz) 500	6	11		dB	
2	Hipot	Vrms	1.5			kV	
3	DC Resistance	P8-J8=P7-J7			.5	Ω	
		P6-J6=P3-J3			.5	Ω	
		P5-J5=P4-J4			.5	Ω	
		P2-J2=P1-J1			.5	Ω	
4	Inductance	(P1-J1):(P3-J3) (P4-J4):(P7-J7)				μ H	NOTE 1

* NOTE 1: 65 μ H 0.1V, 10 KHz, nominal @25C.

CONNECTOR SOLDER SIDE

RJ45 CONTACT SIDE



NOTE: PINS WITHOUT ELECTRICAL CONNECTIONS ARE OMITTED.

CONNECTOR SCHEMATIC

DO NOT SCALE DRAWING	TOLERANCES UNLESS OTHERWISE NOTED	INCH	MM	DR. <i>M.L.HUANG</i>	DATE AUG-02 '03	<i>XMULTIPLE</i>				
	LINEAR $\frac{\text{MM}}{\text{INCH}}$	$00 \pm .01$ $000 \pm .005$ $0000 \pm .002$	0.0 ± 0.38 0.00 ± 0.25 $0.000 \pm$	CK'D <i>M.CHANG</i>	AUG-02 '03	TITLE TRANSFORMER TYPE 11 SPECIFICATION				
MM INCH	ANGLE $\pm 0^\circ 30'$	RADII	$+ 0.40$ $- 0.15$	APP'D <i>W.J.YANG</i>	AUG-04 '03	SCALE	SIZE	DWG.NO. 9759 SERIES	REV. 1	SHEET 1