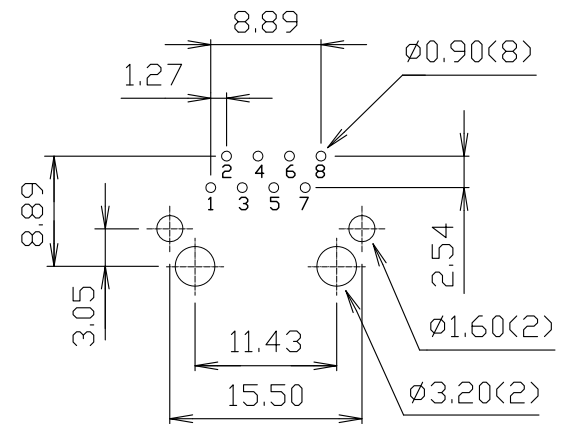


DETAIL Y

MATERIAL:

- HOUSING-DSM STANYL TE250F6 (NYLON-46)
HEAT DEFLECTION TEMP.290°
BLACK COLOR, UL94V-0.
- CONTACTS-0.35mm THICK PHOS-BRONZE
WITH 30u" HARD GOLD
PLATED IN SOLDER AREA.
- SHIELD-0.25mm THICK COPPER ALLOY,
PLATED WITH NICKEL.

CAVITY CONFIRMS TO FCC RULES AND REGULATIONS
PART 68,SUBPART F.



PC Board Layout
Ref.

XMULTIPLE

TITLE SINGLE PORT, RJ45, SHIELDED, FLAT PIN
WITH TRANSFORMER, SIDE ENTRY PCB JACK

SCALE SIZE DWG.NO.
XMG-9759-8822-130D-TM-LFG-MC

DO NOT SCALE
DRAWING

TOLERANCES UNLESS
OTHERWISE NOTED

INCH

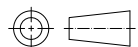
MM

DR.

H.W.CHAN

DATE

OCT-31 '07



THIRD ANGLE PROJECTION

LINEAR $\frac{\text{MM}}{\text{INCH}}$

$00 \pm .01$
 $000 \pm .005$
 $0000 \pm .002$

0.0 ± 0.25
 0.00 ± 0.13
 0.000 ± 0.05

CK'D

M.CHANG

OCT-31 '07

APP'D

W.J.YANG

NOV-01 '07

MM
INCH

ANGLE $\pm 0^\circ 30'$

RADII

$+ 0.40$
 $- 0.15$

