

Unless otherwise specified

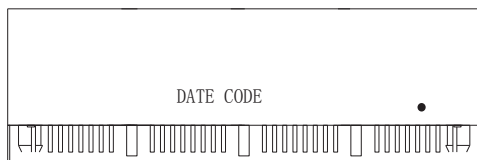
Unit: mm

tolerance: .x: +/-

.xx: +/-0.25

.xxx: +/-0.13

Plastic parts compliance with the UL safety requirement



ELECTRICAL SPECIFICATIONS @ 25°C unless otherwise noted:

Insertion Loss: 0.1-100MHZ -1.10dB MAX

Return Loss: 1-30MHZ -16.0dB MIN LAN CHIP SIDE

30-60MHZ -15.0dB MIN

60-100MHZ -10.0dB MIN

Crosstalk: 1-80MHZ -35.0dB MIN

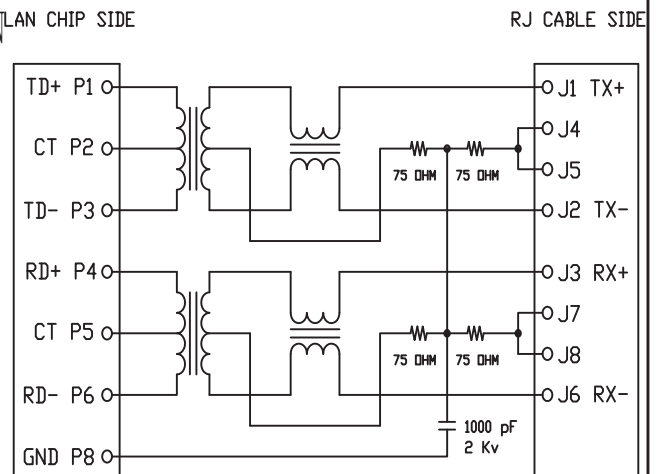
CMR: 1-80MHZ -30.0dB MIN

Hipot:1500V AC 6S 1mA

OCL:350uH MIN @ 100KHZ 100mV 8mA DC

DCR:J1-J7=J2-J4=J3-J5=140-1600HM

SCHEMATIC:



<p style="font-size: 2em; margin: 0;">X</p> <p style="font-size: 1.5em; margin: 0;">MULTIPLE</p>	<p>Unless otherwise specified: Tolerances: Fractions: ±1/64 Angles: ±1° Decimals: ±.005[.13]</p>		<p>Approved By: Jacky</p>	
	<p>10/100BASE</p> <p>1X4 Tab-down RJ45</p>		<p>Part No: XMF-XARJ-410022ANL</p>	<p>REV. A</p>
<p>Drafted by: HERO</p>				<p>SHEET OF</p>