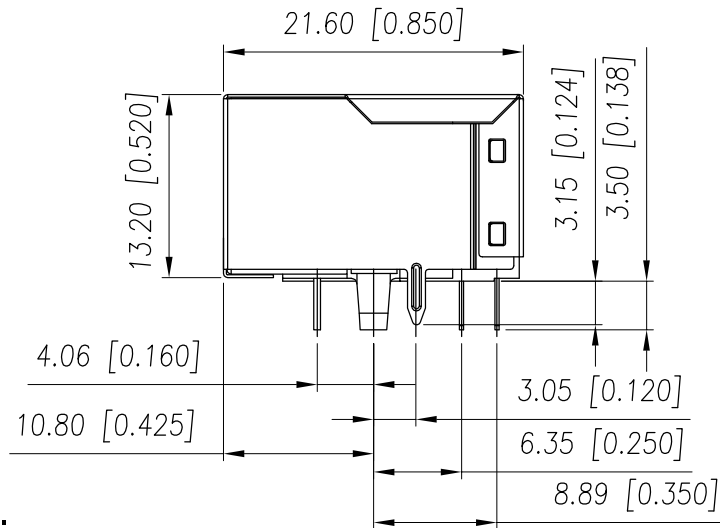
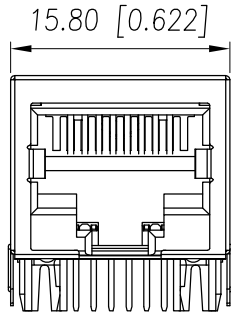
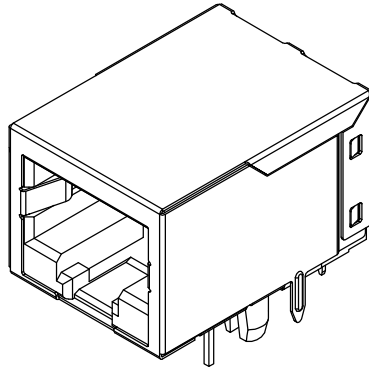
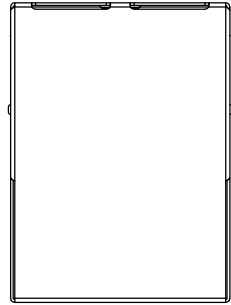
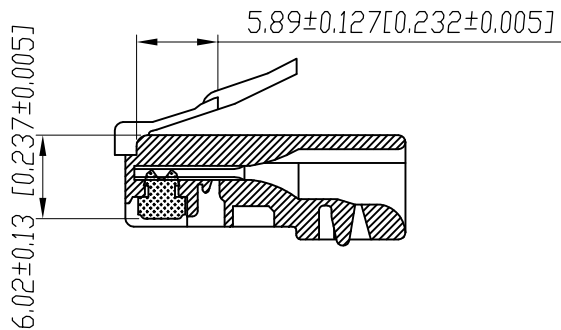


1. MECHANICAL DIMENSIONS :



RECOMMENED PLUG DIMENSION:



NOTES:

1. MATERIALS:

HOUSING: PBT POLYESTER UL94V-0
MIXED GLASS FIBER. STANDARD COLOR-BLACK.

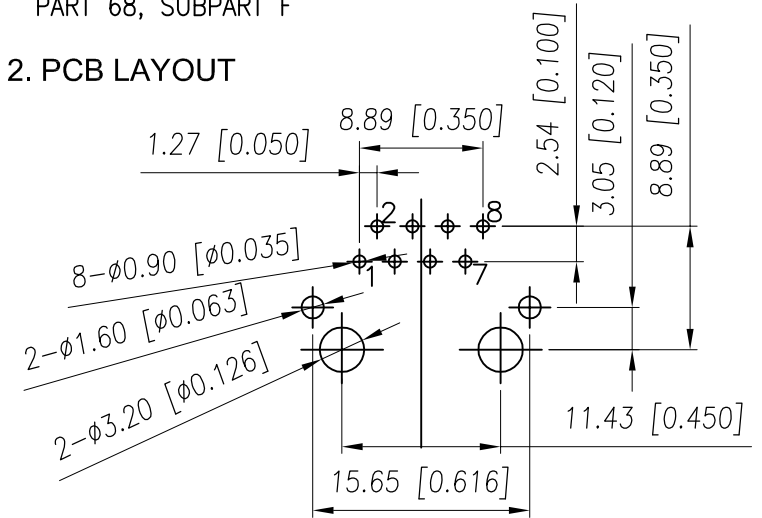
CONTACTS: 0.35mm THICK PHOS-BRONZE PLATED
WITH 15u" GOLD IN CONTACT AREA AND TIN IN
SOLDER AREA, UNDERPLATED WITH NICKEL
IN ALL AREA.

SHIELD: 0.25mm THICK COPPER ALLOY, PLATED WITH NICKEL.

2. OPERATING TEMPERATURE: 0°C~70°C

3. CAVITY CONFORMS TO FCC RULES AND REGULATIONS
PART 68, SUBPART F

2. PCB LAYOUT



SUGGESTED PCB LAYOUT
(TOP VIEW)

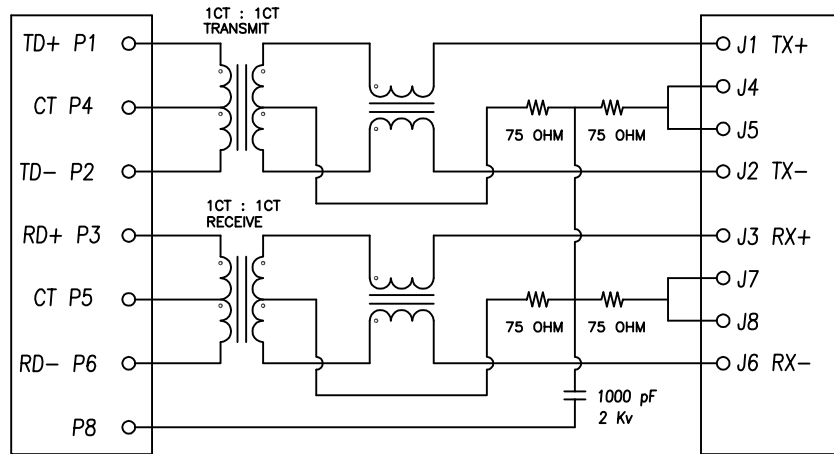
RoHS Compliant

TOLERANCE UNSPECIFIED				CONNECT THE INFORMATION AGE	
.0	±0.25				
.00	±0.13				
.000	±0.10				
ANGLE	±3.00°				
MANUFACTURING COPY		TITLE: RJ45 Connector, W/O LED,W/Filter 10/100Mbps 8P,8C,Shielded,Thru-Hole			
DRAWN BY	Jim Wang	SIZE: A4	UNIT: mm	PART NO.	XMF-RJF-0-D22-1-080
CHECKED BY	Ann Yang	SCALE: 1:1	PROJECTION		REV.: A0
DATE	2009.06.25	DWG NO.	LK-RJ-WST-075	SHEET	1 OF 2

3. SCHMATIC :

CONNECTOR SOLDER SIDE

RJ45 CONTACT SIDE



4. ELECTRICAL CHARACTERISTICS :

- 1.TR:(100KHz,0.1V);
PINS:(P1-P2):(J1-J2)=1:1±3%
PINS:(P3-P6):(J3-J6)=1:1±3%
- 2.LX:(100KHz,100mV,8mA, DC Bias)
PINS: (P1,P2),(P3,P6)=350uH MINIMUM
- 3.DCR:
PINS:(J1-J2),(J3-J6)= 1.2 OHMS MAXIMUM
- 4.HIPOT:
PINS(P1,P4,P2)TO(J1,J2)=1500VAC FOR 60 SECONDS
PINS(P3,P5,P6)TO(J3,J6)=1500VAC FOR 60 SECONDS
- 5.INSERTION LOSS:
-1.0dB MAXIMUM AT 0.3MHz TO 100MHz;
- 6.RETURN LOSS:
-20dB MINIMUM AT 1MHz TO 30MHz;
-15dB MINIMUM AT 30MHz TO 60MHz
-10dB MINIMUM AT 60MHz TO 80MHz
- 7.CROSS TALK:
-30dB MINIMUM AT 1MHz TO 100MHz
- 8.COMMON TO COMMON MODE REJECTION:
-30dB MINIMUM AT 1MHz TO 100MHz

PART NO:

XMF-RJF-0-D22-1-080

PRODUCT SERIES
RJF SERIES

LED COLOR

PROTOCOL TYPE
D:10/100 Mbps, 4CORES

CIRCUIT TYPE

SPECIAL CODE
0:STANDER

SHIELDED TYPE
8: Non-EMI FINGES

LED POLARITY
0:Non-LED

Gold Plating
1: Plated 3U"

RoHS Compliant

TOLERANCE UNSPECIFIED		X MULTIPLE		CONNECT THE INFORMATION AGE	
.0	±0.25				
.00	±0.13	TITLE: RJ45 Connector, W/O LED,W/Filter 10/100Mbps 8P,8C,Shielded,Thru-Hole			
.000	±0.10	SIZE: A4	UNIT: mm	PART NO.	XMF-RJF-0-D22-1-080
ANGLE	±3.00°	CHECKED BY	Ann Yang	SCALE: 1:1	PROJECTION
MANUFACTURING COPY		DATE	2009.06.25	DWG NO.	LK-RJ-WST-075
				SHEET	2 OF 2