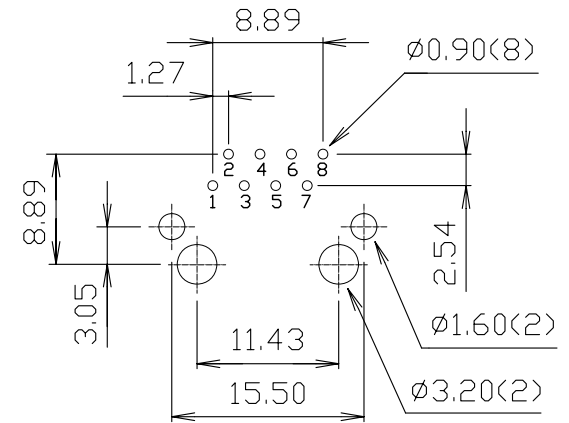


DETAIL Y

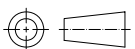
MATERIAL:

- HOUSING-PBT POLYESTER UL94V-0 MIXED GLASS FIBER, STANDARD COLOR-BLACK
- CONTACTS-0.35mm THICK PHOS-BRONZE WITH 6u" HARD GOLD AND GOLD FLASH PLATED IN SOLDER AREA.
- SHIELD-0.25mm THICK COPPER ALLOY, PLATED WITH NICKEL.

CAVITY CONFIRMS TO FCC RULES AND REGULATIONS PART 68,SUBPART F.



PC Board Layout Ref.

DO NOT SCALE DRAWING	TOLERANCES UNLESS OTHERWISE NOTED	INCH	MM	DR. <i>H.W.CHAN</i>	DATE OCT-31 '07	<i>XMULTIPLE</i>
 THIRD ANGLE PROJECTION	LINEAR MM INCH	00 ± .01 000 ± .005 0000 ± .002	0.0 ± 0.25 0.00 ± 0.13 0.000 ± 0.05	CK'D <i>M.CHANG</i>	OCT-31 '07	
MM INCH	ANGLE ± 0° 30'	RADII	+ 0.40 - 0.15	APP'D <i>W.J.YANG</i>	NOV-01 '07	SCALE SIZE DWG.NO. XMF-9759-8824-130D-TD-A

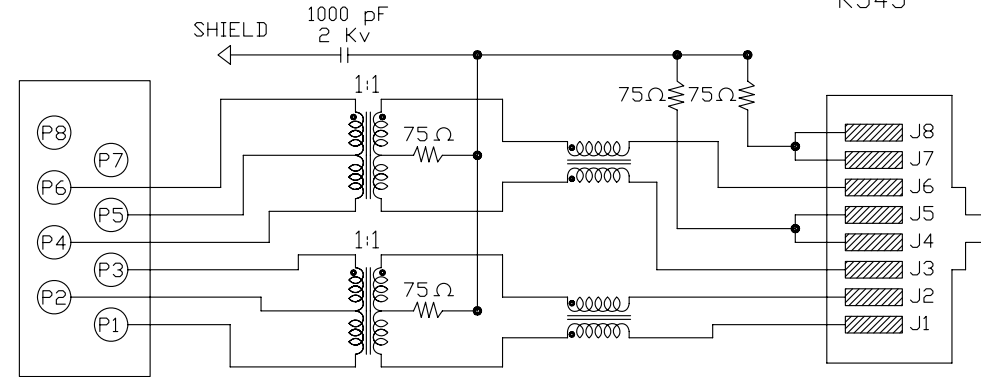
9759 TRANSFORMER TYPE D

Specification :

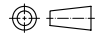
Item	Parameter	Condition	Min.	Typ.	Max.	Unit	REMARK
1	Insertion loss	@1-100 MHz			1.0	dB	
2	Return loss	@1-30 MHz	20/20			dB	
		@30-60 MHz	15/17			dB	
		@60-80 MHz	11/15			dB	
3	Crosstalk	@1-100 MHz	30			dB	
4	CMRR(TX/RX)	@1-100 MHz	30			dB	
5	Hipot	Vrms	1.5			kV	
6	Turns Ratio (Chip : Cable)	TX: 1 : 1 RX: 1 : 1				CT	
7	Direct Current resistance					Ω	

CONNECTOR SOLDER SIDE

CONTACT SIDE
RJ45



CONNECTOR SCHEMATIC

DO NOT SCALE DRAWING	TOLERANCES UNLESS OTHERWISE NOTED	INCH	MM	DR. <i>M.L.HUANG</i>	DATE JUL-07 '03	<i>XMULTIPLE</i>	
 THIRD ANGLE PROJECTION	LINEAR $\frac{\text{MM}}{\text{INCH}}$	$00 \pm .01$ $000 \pm .005$ $0000 \pm .002$	0.0 ± 0.38 0.00 ± 0.25 $0.000 \pm$	CK'D <i>M.CHANG</i>	JUL-07 '03		
MM INCH	ANGLE $\pm 0' 30'$	RADII	$+ 0.40$ $- 0.15$	APP'D <i>W.J.YANG</i>	JUL-08 '03	SCALE SIZE DWG.NO. 9759 SERIES	REV. SHEET 3 1