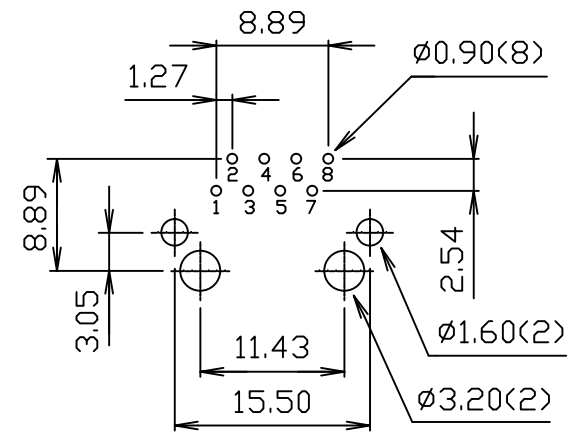


**DETAIL Y**

**MATERIAL:**

- HOUSING-PBT POLYESTER UL94V-0 MIXED GLASS FIBER. STANDARD COLOR-BLACK
- CONTACTS-0.35mm THICK PHOS-BRONZE WITH  $30\mu'$  HARD GOLD ON SOLDER AREA.
- SHIELD-0.25mm THICK COPPER ALLOY, PLATED WITH NICKEL.

CAVITY CONFIRMS TO FCC RULES AND REGULATIONS PART 68,SUBPART F.



PC Board Layout Ref.

DO NOT SCALE DRAWING

TOLERANCES UNLESS OTHERWISE NOTED

INCH

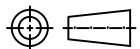
MM

DR.

H.W.CHAN

DATE

OCT-31 '07



THIRD ANGLE PROJECTION

LINEAR  $\frac{\text{MM}}{\text{INCH}}$

$00 \pm .01$   
 $000 \pm .005$   
 $0000 \pm .002$

$0.0 \pm 0.25$   
 $0.00 \pm 0.13$   
 $0.000 \pm 0.05$

CK'D

M.CHANG

OCT-31 '07

TITLE SINGLE PORT, RJ45, SHIELDED, FLAT PIN WITH TRANSFORMER, SIDE ENTRY PCB JACK

MM  
INCH

ANGLE  $\pm 0^\circ 30'$

RADII

$+ 0.40$   
 $- 0.15$

APP'D

W.J.YANG

NOV-01 '07

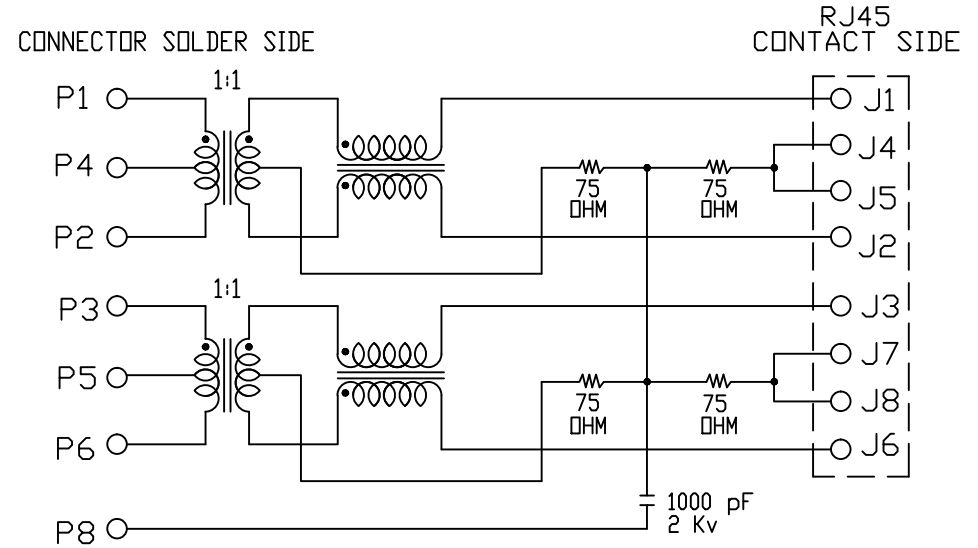
SCALE SIZE DWG.NO.  
XMF-9759-8822-140D-T0-A-SDR

**XMULTIPLE**

# 9759 TRANSFORMER TYPE □

## Specification :

Item	Parameter	Condition	Min.	Typ.	Max.	Unit	REMARK
1	Insertion loss	1-100 MHz			-1	dB	
2	Return loss	1-30 MHz	-20			dB	
		30-60 MHz	-15			dB	
		60-80 MHz	-11			dB	
3	Primary Inductance @100KHz, 0.1Vrms, 8mA DC BIAS	(1-2), (7-8)	350			μH	
4	Crosstalk	1-100 MHz	-30			dB	
5	Hipot	Vrms	1.5			kV	



CONNECTOR SCHEMATIC

DO NOT SCALE DRAWING	TOLERANCES UNLESS OTHERWISE NOTED	INCH	MM	DR. <i>M.L.HUANG</i>	DATE JUL-07 '03	<i>XMULTIPLE</i>				
	LINEAR	$\frac{MM}{INCH}$	$00 \pm .01$ $000 \pm .005$ $0000 \pm .002$	$0.0 \pm 0.38$ $0.00 \pm 0.25$ $0.000 \pm$	CK'D <i>M.CHANG</i>	JUL-07 '03	TITLE TRANSFORMER TYPE □ SPECIFICATION			
MM INCH	ANGLE $\pm 0^{\circ} 30'$	RADII	$\pm 0.40$ $\pm 0.15$	APP'D <i>W.J.YANG</i>	JUL-08 '03	SCALE	SIZE	DWG.NO. 9759 SERIES	REV. 2	SHEET 1