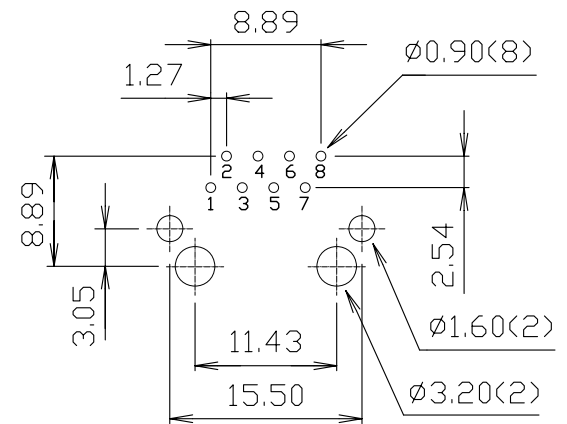


DETAIL Y

MATERIAL:

- HOUSING-DSM STANYL TE250F6 (NYLON-46)
HEAT DEFLECTION TEMP.290°
BLACK COLOR, UL94V-0
- CONTACTS-0.35mm THICK PHOS-BRONZE
WITH 30u" HARD GOLD AND GOLD FLASH
PLATED IN SOLDER AREA.
- SHIELD-0.25mm THICK COPPER ALLOY,
PLATED WITH NICKEL.

CAVITY CONFIRMS TO FCC RULES AND REGULATIONS
PART 68,SUBPART F.



PC Board Layout
Ref.

DO NOT SCALE
DRAWING

TOLERANCES UNLESS
OTHERWISE NOTED

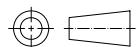
INCH

MM

DR.
H.W.CHAN

DATE
OCT-31 '07

XMULTIPLE



THIRD ANGLE PROJECTION

LINEAR $\frac{\text{MM}}{\text{INCH}}$

00 ± .01
000 ± .005
0000 ± .002

0.0 ± 0.25
0.00 ± 0.13
0.000 ± 0.05

CK'D
M.CHANG

OCT-31 '07

TITLE SINGLE PORT, RJ45, SHIELDED, FLAT PIN
WITH TRANSFORMER, SIDE ENTRY PCB JACK

MM
INCH

ANGLE ± 0° 30'

RADII

+ 0.40
- 0.15

APP'D
W.J.YANG

NOV-01 '07

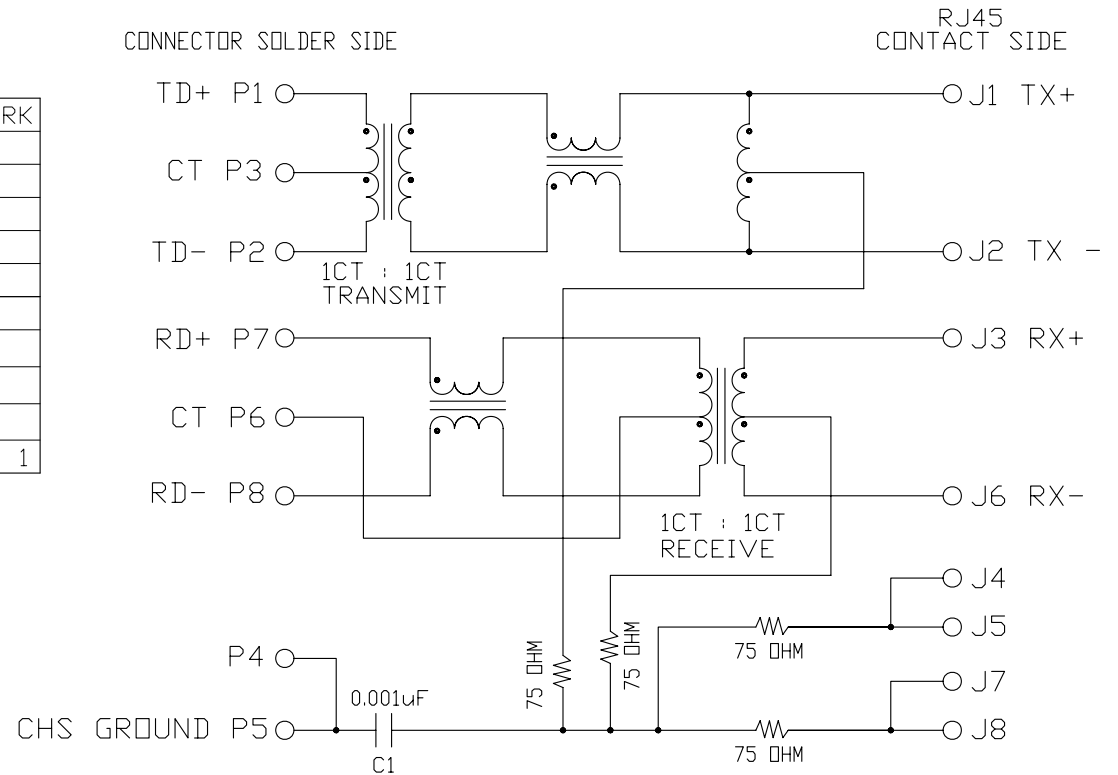
SCALE SIZE DWG.NO.
XMF-9759-8822-130D-TM-LFG

9759 TRANSFORMER TYPE M

Specification :

Item	Parameter	Condition	Min.	Typ.	Max.	Unit	REMARK
1	Insertion loss	@1-65 MHz			-1.0	dB	
2	Return loss	@1-10 MHz	-20			dB	
		@10-30 MHz	-16			dB	
		@30-60 MHz	-12			dB	
		@60-80 MHz	-10			dB	
3	Crosstalk	@1-30 MHz		-40		dB	
		@30-60 MHz		-35		dB	
		@60-100 MHz		-30		dB	
5	Hipot	Vrms	1.5			kV	
6	Operating temperature range						NOTE 1

* NOTE 1: 0°C TO +70°C.



NOTE: CONNECT CHS GND TO PCB GROUND.

CONNECTOR SCHEMATIC

DO NOT SCALE DRAWING	TOLERANCES UNLESS OTHERWISE NOTED	INCH	MM	DR. M.L.HUANG	DATE JUL-07 '03	XMULTIPLE	
	LINEAR	$\frac{MM}{INCH}$	$00 \pm .01$ $000 \pm .005$ $0000 \pm .002$	CK'D M.CHANG	JUL-07 '03	TITLE TRANSFORMER TYPE M SPECIFICATION	
MM INCH	ANGLE $\pm 0' 30'$	RADII	± 0.40 $- 0.15$	APP'D W.J.YANG	JUL-08 '03	SCALE SIZE DWG.NO. 9759 SERIES	REV. SHEET 2 1