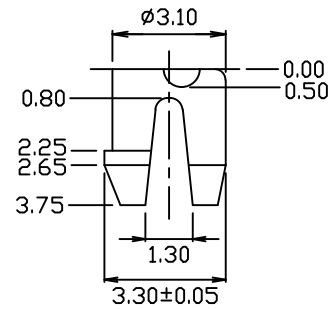
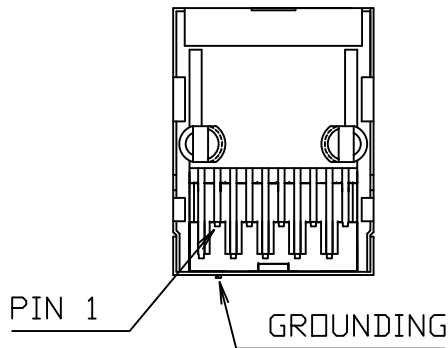


MATERIALS:

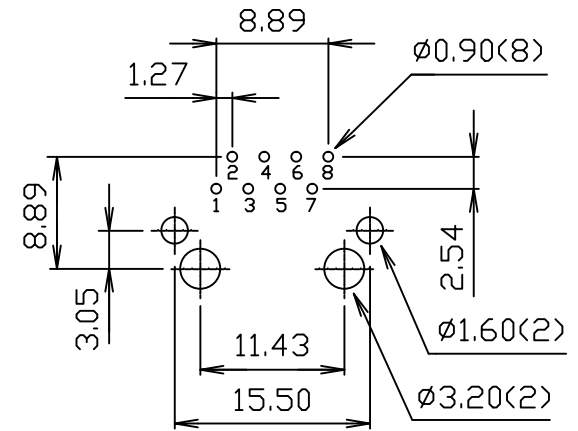
- HOUSING-PBT POLYESTER UL94V-0 MIXED GLASS FIBER, STANDARD COLOR-BLACK.
- CONTACTS-0.35mm THICK PHOS-BRONZE PLATED WITH 30u" HARD GOLD AND GOLD FLASH IN SOLDER AREA.
- SHIELD-0.25mm THICK COPPER ALLOY, PLATED WITH NICKEL.

CAVITY CONFIRMS TO FCC RULES AND REGULATIONS PART 68,SUBPART F.

WORKING TEMPERATURE -40° TO 85°.
STORAGE TEMPERATURE -40° TO 85°.



DETAIL Y



PC Board Layout Ref.

XMULTIPLE

DO NOT SCALE DRAWING

TOLERANCES UNLESS OTHERWISE NOTED

INCH

MM

DR.

H.W.CHAN

DATE

OCT-31 '07

THIRD ANGLE PROJECTION

LINEAR $\frac{\text{MM}}{\text{INCH}}$

00 ± .01
000 ± .005
0000 ± .002

0.0 ± 0.25
0.00 ± 0.13
0.000 ± 0.05

CK'D

M.CHANG

OCT-31 '07

TITLE SINGLE PORT, RJ45, SHIELDED, FLAT PIN WITH TRANSFORMER, SIDE ENTRY PCB JACK

MM
INCH

ANGLE ± 0° 30'

RADII

+ 0.40
- 0.15

APP'D

W.J.YANG

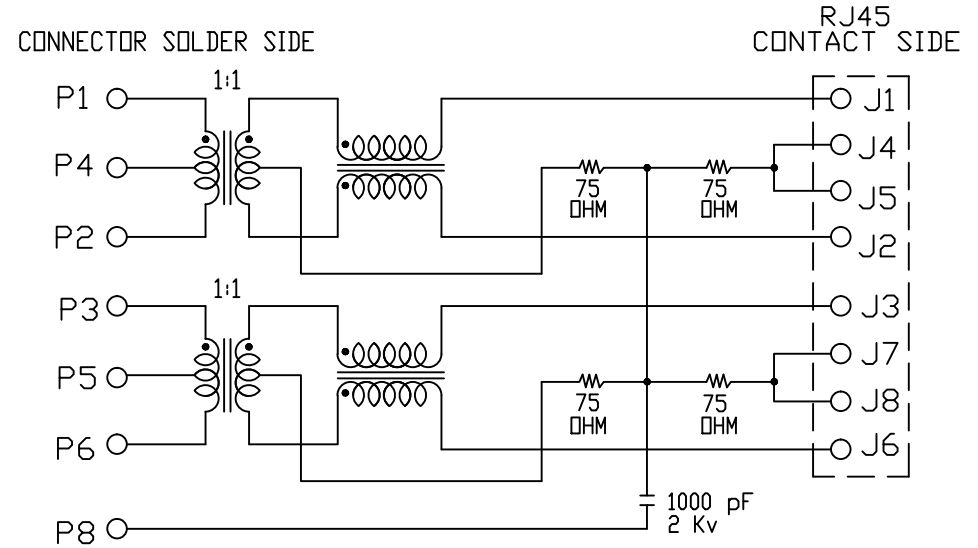
NOV-01 '07

SCALE SIZE DWG.NO.
XMF-9759-8822-100D-T0-A-SDR

9759 TRANSFORMER TYPE □

Specification :

Item	Parameter	Condition	Min.	Typ.	Max.	Unit	REMARK
1	Insertion loss	1-100 MHz			-1	dB	
2	Return loss	1-30 MHz	-20			dB	
		30-60 MHz	-15			dB	
		60-80 MHz	-11			dB	
3	Primary Inductance @100KHz, 0.1Vrms, 8mA DC BIAS	(1-2), (7-8)	350			μH	
4	Crosstalk	1-100 MHz	-30			dB	
5	Hipot	Vrms	1.5			kV	



CONNECTOR SCHEMATIC

DO NOT SCALE DRAWING	TOLERANCES UNLESS OTHERWISE NOTED	INCH	MM	DR. <i>M.L.HUANG</i>	DATE JUL-07 '03	<h1 style="text-align: center;">XMULTIPLE</h1>	
	LINEAR $\frac{\text{MM}}{\text{INCH}}$	$00 \pm .01$ $000 \pm .005$ $0000 \pm .002$	0.0 ± 0.38 0.00 ± 0.25 $0.000 \pm$	CK'D <i>M.CHANG</i>	JUL-07 '03		TITLE TRANSFORMER TYPE □ SPECIFICATION
MM INCH	ANGLE $\pm 0^\circ 30'$	RADII	± 0.40 ± 0.15	APP'D <i>W.J.YANG</i>	JUL-08 '03		SCALE SIZE DWG.NO. 9759 SERIES
						REV. SHEET 2 1	