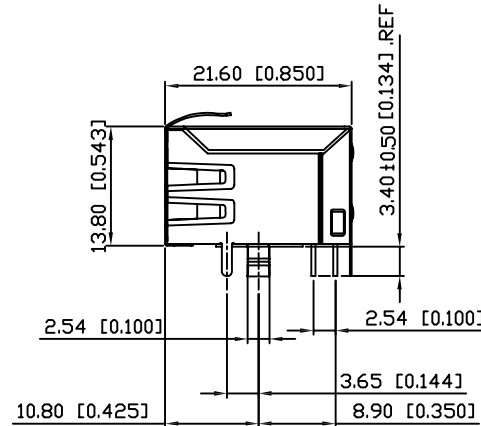
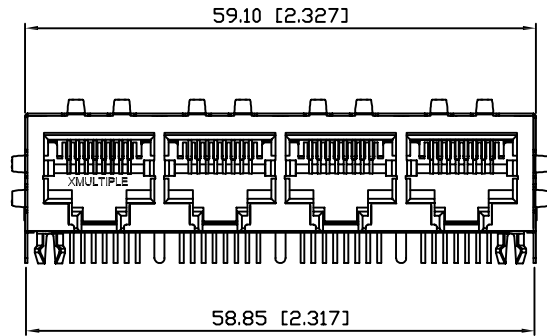
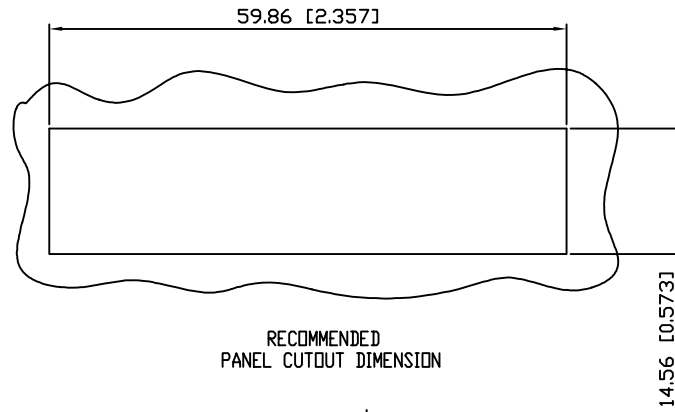
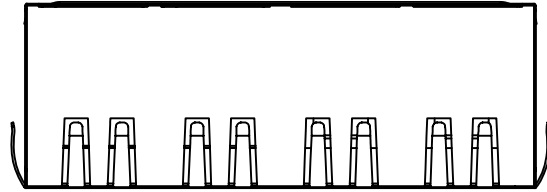


7	8		
REV.	ECN.NO.	NAME	DATE
A	NEW	BDB	2011/08/03

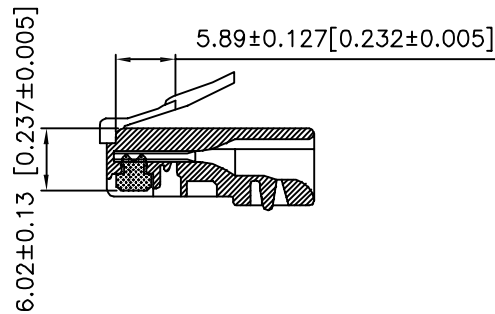
1. MECHANICAL DIMENSIONS :



NOTES:

- MATERIALS:
HOUSING—POLYESTER UL94V-0
MIXED GLASS FIBER.
STANDARD COLOR—BLACK.
CONTACTS—0.35mm THICK PHOS-BRONZE PLATED
WITH 15u" GOLD AND TIN
IN SOLDER AREA.
SHIELD—0.20mm THICK COPPER ALLOY,
PLATED WITH NICKEL.
- CAVITY CONFIRMS TO FCC RULES AND REGULATIONS
PART 68,SUBPART F.
- OPERATING TEMPERATURE: 0°C~70°C
- UNSPECIFIED TOLERANCE: .XX ±0.25[0.010]
.X ±0.30[0.012]

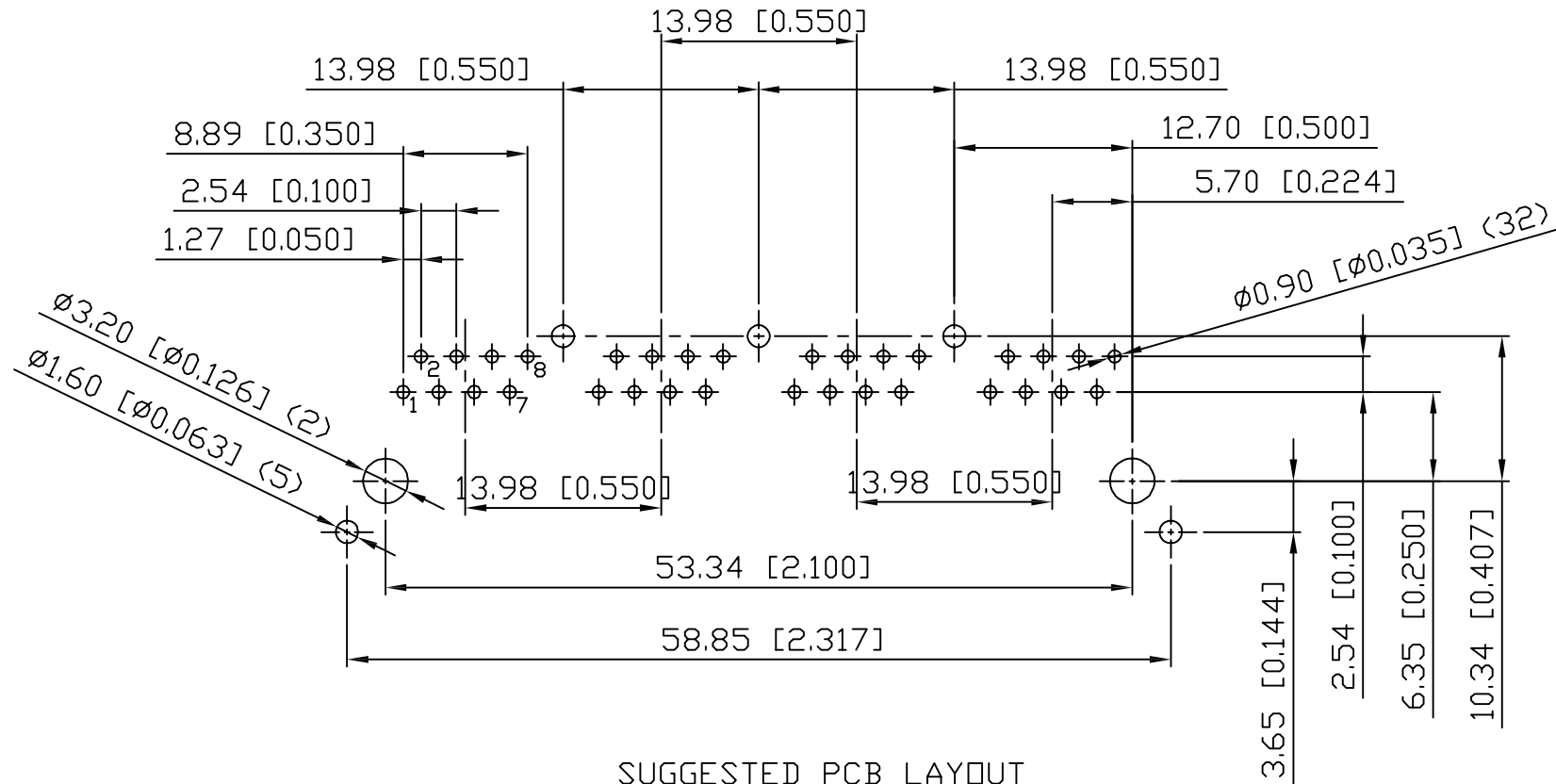
RECOMMENED PLUG DIMENSION:



TOLERANCE UNSPECIFIED		X MULTIPLE		CONNECTING THE INFORMATION AGE	
.0	± 0.50				
.00	± 0.38	TITLE: RJ45 Connectors, W/O LED, 8P, 8C, Shielded/Thru Hole/10/100 Mbps FILTER			
.000	± 0.25	SIZE: A4	UNIT: mm	PART NO: XMF-04A-0-D31-0B0	
ANGLE	± 3°	CHECKED BY: BDB	SCALE: 1:1	PROJECTION	REV: A
MANUFACTURING COPY		APPROVED BY: IPIS	DWG . PATH	XMF-04A-0-D31-0B0	SHEET: 10F3

REV.	ECN.NO.	NAME	DATE
A	NEW	BOB	2011/08/03

2. PCB LAYOUT :

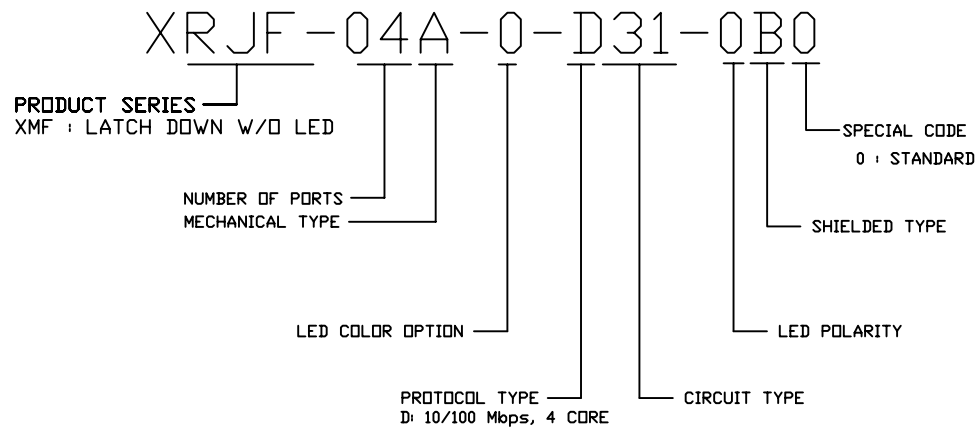
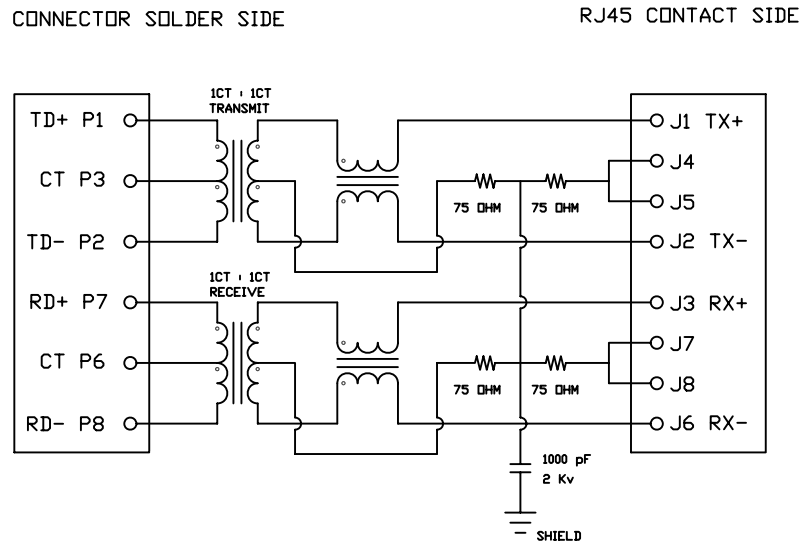


SUGGESTED PCB LAYOUT
 (TOP VIEW)
 DIMENSIONAL TOLERANCE: .XX ±0.08[0.003]

TOLERANCE UNSPECIFIED .0 ± 0.50 .00 ± 0.38 .00 ± 0.25 .000 ± 0.10 ANGLE ± 3° MANUFACTURING COPY				
TITLE: RJ45 Connectors, W/O LED, 8P, 8C, Shielded/Thru Hole/10/100 Mbps FILTER				
DRAWN BY:	BOB	SIZE:	A4	UNIT: mm
CHECKED BY:	BOB	SCALE:	1:1	PROJECTION
APPROVED BY:	IPIS	DWG . PATH	XMF-04A-0-D31-0B0	REV: A
				SHEET: 20F3

7	8
REV.	ECN.NO.
A	NEW
NAME	DATE
BOB	2011/08/03

4. SCHEMATIC:



5. ELECTRICAL CHARACTERISTICS :

TEST NOTES:(25±5°C)

- TR:(100KHz,0.1V);
PINS:(P1-P2):(J1-J2)=1:1±3%
PINS:(P7-P8):(J3-J6)=1:1±3%
- LX:(100KHz,100mV,8mA, DC Bias)
PINS: (P1,P2),(P7,P8)=350uH MINIMUM
- DCR:
PINS:(J1-J2),(J3-J6)= 1.2 OHMS MAXIMUM
- HIPOT:
PINS(P1,P3,P2)TO(J1,J2)=1500VAC 60S OR 2250VDC 60S
PINS(P7,P6,P8)TO(J3,J6)=1500VAC 60S OR 2250VDC 60S
- INSERTION LOSS:
-1.0dB MAXIMUM AT 0.3MHz TO 100MHz;
- RETURN LOSS:
-20dB MINIMUM AT 1MHz TO 30MHz;
-15dB MINIMUM AT 30MHz TO 60MHz
-10dB MINIMUM AT 60MHz TO 80MHz
- CROSS TALK:
-30dB MINIMUM AT 1MHz TO 100MHz
- COMMON TO COMMON MODE REJECTION:
-35dB MINIMUM AT 1MHz TO 100MHz

TOLERANCE UNSPECIFIED		X MULTIPLE		CONNECTING THE INFORMATION AGE	
.0	± 0.50				
.00	± 0.38	TITLE: RJ45 Connectors, W/O LED, 8P, 8C, Shielded/Thru Hole/10/100 Mbps FILTER			
.000	± 0.25	SIZE: A4	UNIT: mm	PART NO: XMF-04A-0-D31-0B0	
ANGLE	± 3°	SCALE:1:1		PROJECTION	REV: A
MANUFACTURING COPY		DWG . PATH		XMF-04A-0-D31-0B0	SHEET: 30F3
DRAWN BY:	BOB				
CHECKED BY:	BOB				
APPROVED BY:	IPIS				