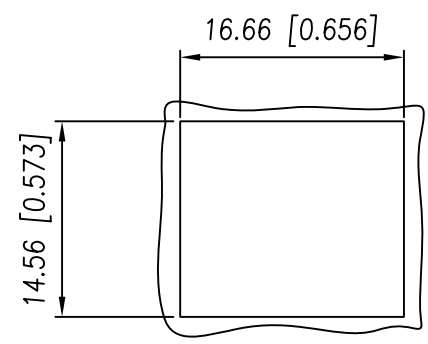
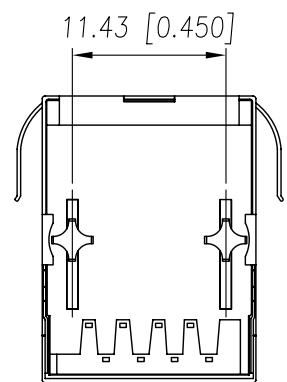
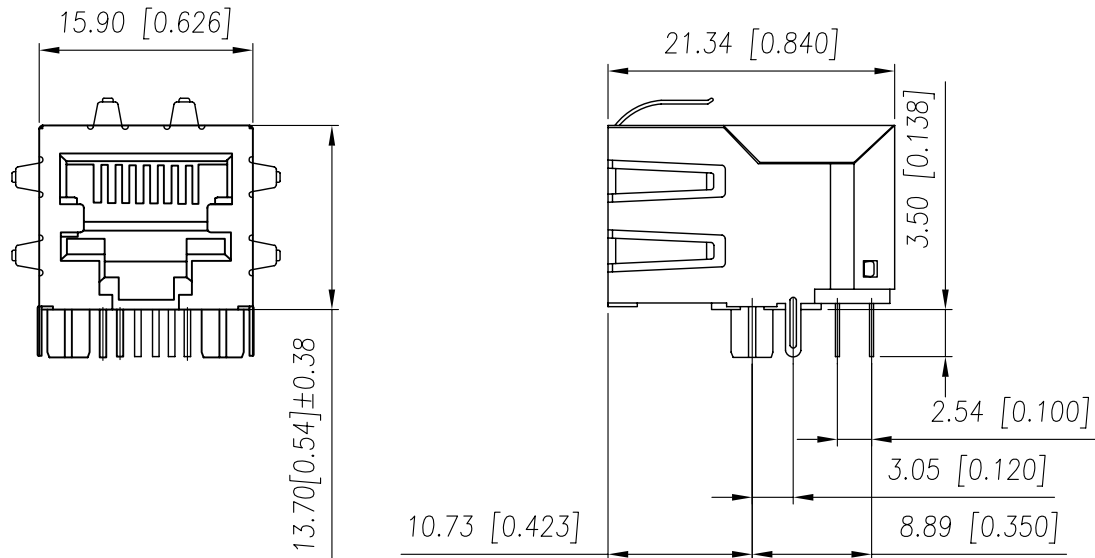


7	8		
REV.	ECN.NO.	NAME	DATE
A	NEW	Bob zou	2010/05/14

1. MECHANICAL DIMENSIONS :

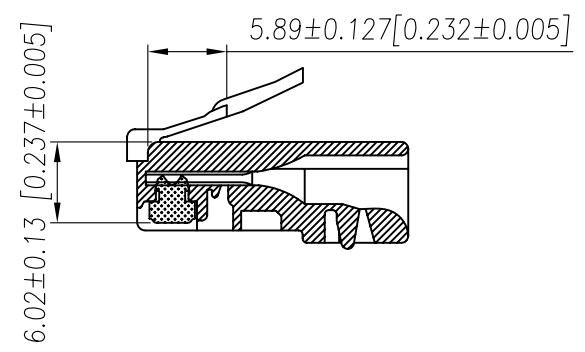


RECOMMENDED
PANEL CUTOUT DIMENSION

NOTES:

- MATERIALS:
HOUSING: HIGH TEMPERATURE NYLON UL94V-0 BLACK
CONTACTS: T=0.30PHOSPHOR BORNZE, NICKEL UNDERPLATE ON ALL AREA, TIN ON TERMINATION END, HARD GOLD ON CONTACT AREA.
SHIELD: BRASS T=0.20mm,NICKEL 50u" MIN PLATING.
- OPERATING TEMPERATURE : 0°C~70°C
- CAVITY CONFORMS TO FCC RULES AND REGULATIONS PART 68,SUBPART F.
- UNSPECIFIED TOLERANCE: .XX ±0.25[0.010]
.X ±0.30[0.012]

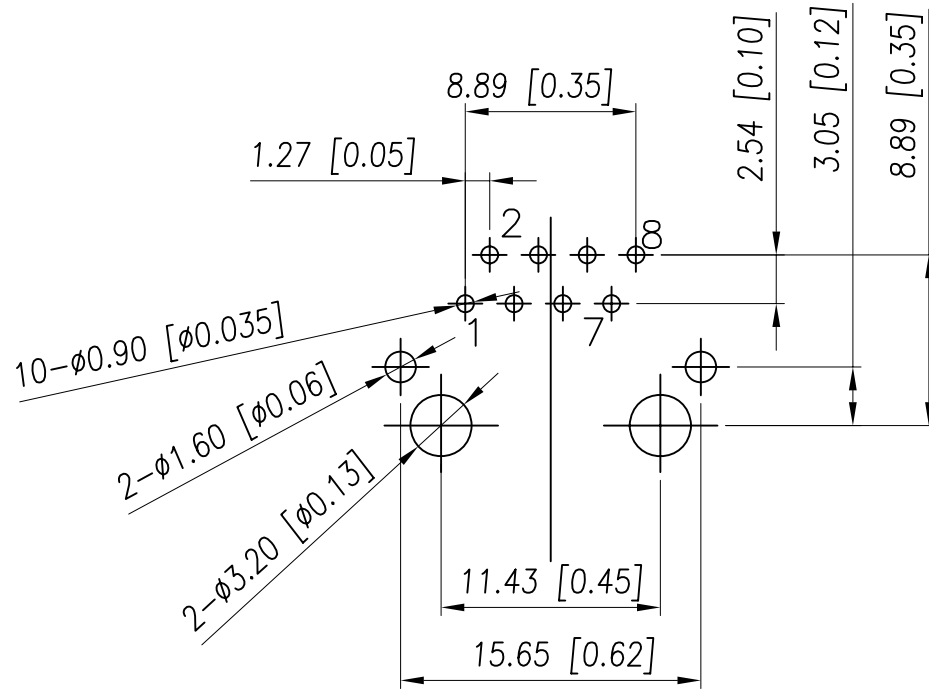
RECOMMENED PLUG DIMENSION:



TOLERANCE UNSPECIFIED		X MULTIPLE		CONNECTING THE INFORMATION AGE	
.0	± 0.50				
.00	± 0.38	TITLE: RJ45 Connectors, W/o LED, 8P, 8C, Shielded Thru Hole/10/100 Mbps FILTER			
.000	± 0.25	DRAWN BY: Bob Zou	SIZE: A4	UNIT: mm	PART NO: XMF-01Z-0-D31-1-070-TO
ANGLE	± 0.10	CHECKED BY:	SCALE: 1:1	PROJECTION	REV: A
MANUFACTURING COPY	± 3°	APPROVED BY: Ipis Aseng	DWG . PATH	C/XMF-01Z-0-D31-1-070-TO	SHEET: 1 OF 3

7		8	
REV.	ECN.NO.	NAME	DATE
A	NEW	Bob zou	2010/05/14

2. PCB LAYOUT :



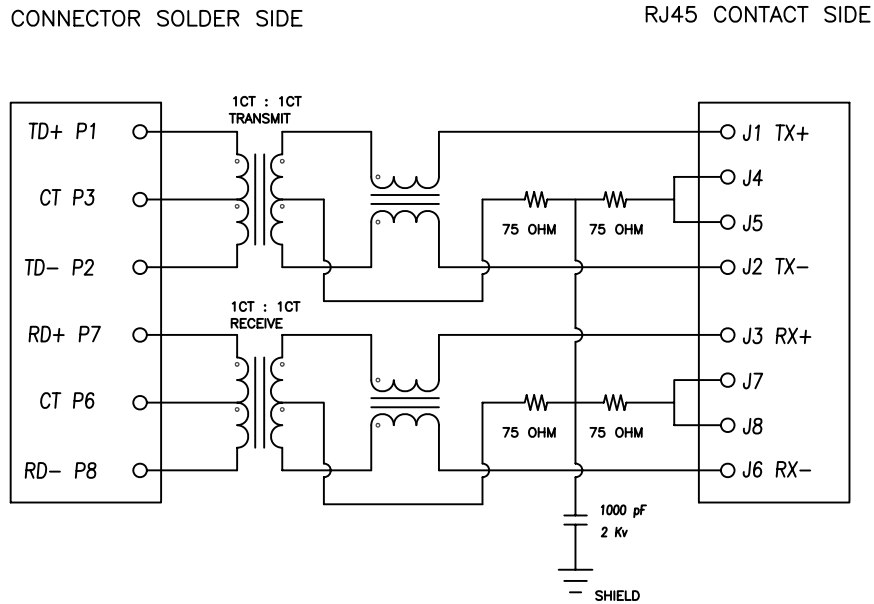
SUGGESTED PCB LAYOUT
(TOP VIEW)

DIMENSIONAL TOLERANCE: .XX ±0.08[0.003]

TOLERANCE UNSPECIFIED .0 ±0.50 .00 ±0.38 .00 ±0.25 .000 ±0.10 ANGLE ±3° MANUFACTURING COPY					
TITLE: RJ45 Connectors, W/o LED, 8P, 8C, Shielded Thru Hole/10/100 Mbps FILTER		SIZE: A4	UNIT: mm	PART NO: XMF-01Z-0-D31-1-070-TO	
DRAWN BY: Bob Zou	CHECKED BY:	SCALE: 1:1		PROJECTION	
APPROVED BY: Ipis Aseng	DWG . PATH: c:/XMF-01Z-0-D31-1-070-TO	REV: A		SHEET: 2 OF 3	

REV.	ECN.NO.	NAME	DATE
A	NEW	Bob zou	2010/05/14

3. SCHEMATIC :



4. ELECTRICAL CHARACTERISTICS :

TEST NOTES:(25±5°C)

- TR:(100KHz,0.1V);
PINS:(P1-P2):(J1-J2)=1:1±3%
PINS:(P7-P8):(J3-J6)=1:1±3%
- LX:(100KHz,100mV,8mA, DC Bias)
PINS: (P1,P2),(P7,P8)=350uH MINIMUM
- DCR:
PINS:(J1-J2),(J3-J6)= 1.2 OHMS MAXIMUM
- HIPOT:
PINS(P1,P3,P2)TO(J1,J2)=1500VAC 60S OR 2250VDC 60S
PINS(P7,P6,P8)TO(J3,J6)=1500VAC 60S OR 2250VDC 60S
- INSERTION LOSS:
-1.0dB MAXIMUM AT 0.3MHz TO 100MHz;
- RETURN LOSS:
-20dB MINIMUM AT 1MHz TO 30MHz;
-15dB MINIMUM AT 30MHz TO 60MHz
-10dB MINIMUM AT 60MHz TO 80MHz
- CROSS TALK:
-30dB MINIMUM AT 1MHz TO 100MHz
- COMMON TO COMMON MODE REJECTION:
-30dB MINIMUM AT 1MHz TO 100MHz

XMF-01Z-0-D31-1-070-TO

PRODUCT SERIES
01K SERIES

LED COLOR

CIRCUIT TYPE

Gold Plating
1: Plated 3U"

LED POLARITY
0=NON LED

SPECIAL CODE
0=STANDER

SHIELDED TYPE
7=EMI FINGES ON ALL SIDE

TOLERANCE UNSPECIFIED		X MULTIPLE		CONNECTING THE INFORMATION AGE	
.0	± 0.50				
.00	± 0.38	TITLE: RJ45 Connectors, W/o LED, 8P, 8C, Shielded Thru Hole/10/100 Mbps FILTER			
.000	± 0.25	SIZE: A4	UNIT: mm	PART NO: XMF-01Z-0-D31-1-070-TO	
ANGLE	± 3°	CHECKED BY:		SCALE: 1:1	PROJECTION
MANUFACTURING COPY		DRAWN BY: Bob Zou		REV: A	
APPROVED BY: Ipis Aseng		DWG . PATH		C/XMF-01Z-0-D31-1-070-TO	
				SHEET: 3 OF 3	