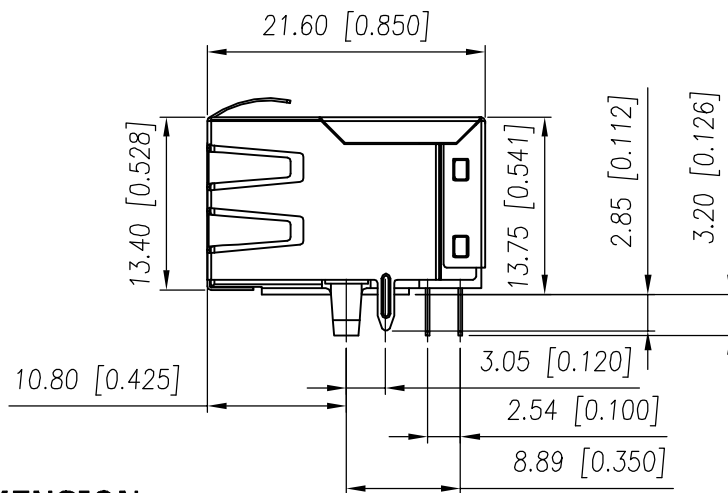
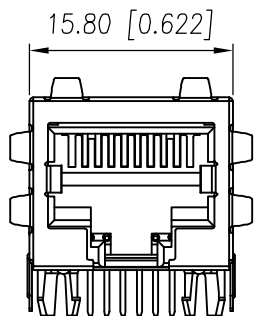
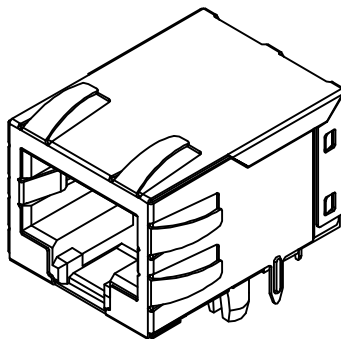
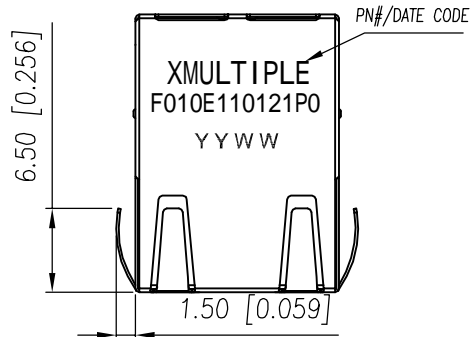
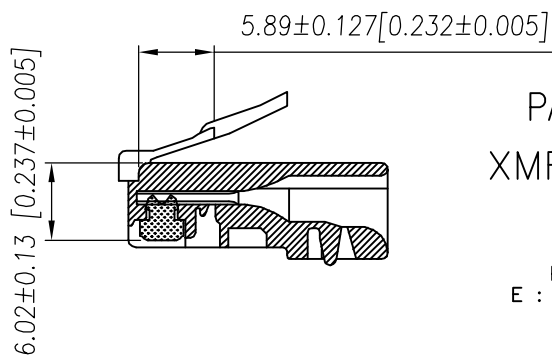


1. MECHANICAL DIMENSIONS :



RECOMMENED PLUG DIMENSION:



PART NO:
XMF-01-0-E11-012-1P0

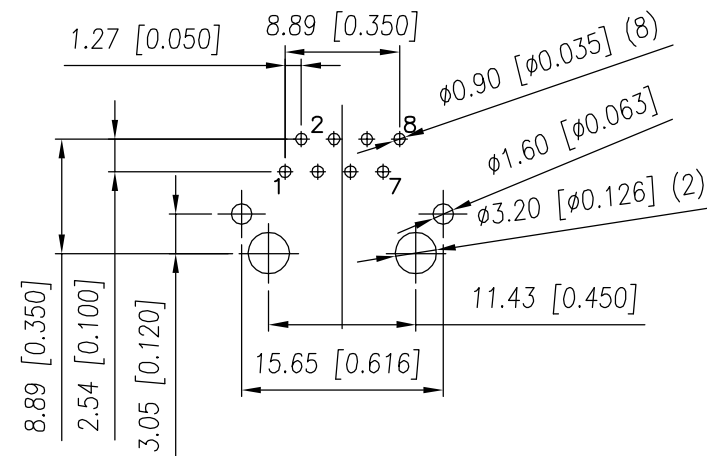
PROTOCOL TYPE
 E : 10/100 Mbps, 5CORE

CIRCUIT TYPE
 2:W/O LED
 1:W/ Spring

NOTES:

1. MATERIALS:
 HOUSING: HIGH TEMPERATURE PBT UL94V-0 BLACK
 CONTACTS: T=0.30PHOSPHOR BORNZE,
 NICKEL 50u"MIN UNDERPLATE ON ALL AREA,
 TIN 80u"MIN ON TERMINATION END,
 HARD GOLD FLASH ON CONTACT AREA.
 SHIELD: SUS T=0.20mm,NICKEL 50u" MIN PLATING.
2. JACK CAVITY CONFORMS TO FCC RULES AND REGULATIONS PART 68, SUBPART F

2. PCB LAYOUT



SUGGESTED PCB LAYOUT
 (TOP VIEW)

DIMENSIONAL TOLERANCE: .XX ±0.05[0.001]

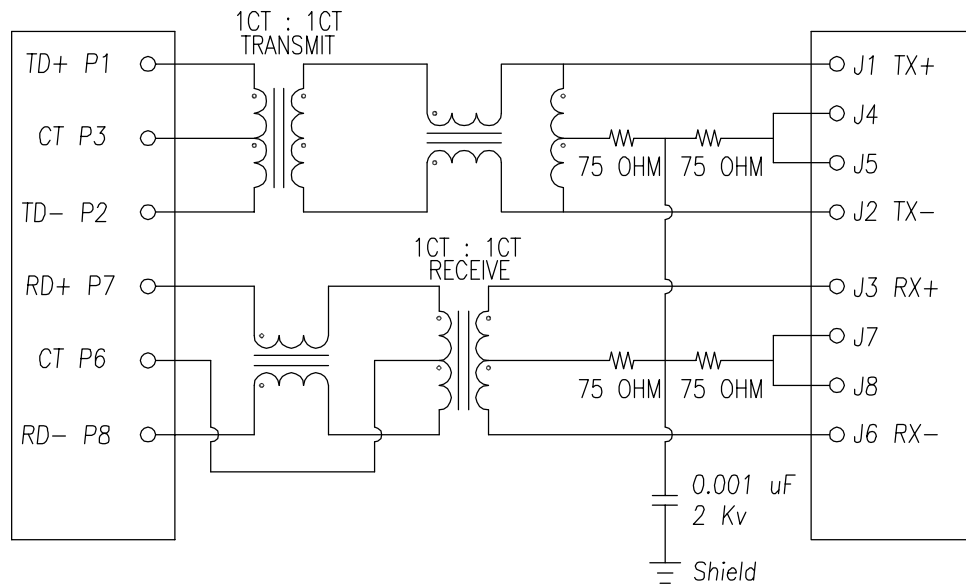
RoHS Compliant

XMULTIPLE			CONNECTING THE INFORMATION AGE
Xmultiple Technologies, Inc.1060 Los Angeles Avenue Simi Valley, CA 93065			G/NO:
THIS DRAWING IS A CONTROLLED DOCUMENT.			DWG NO: XMF-01-0-E11-012-1P0
TITLE: RJ45 Connectors, W/O LED, Shielded/Thru Hole/10/100 Mbps /FILTER			DRAWN: Ivy Li
PART NO: XMF-01-0-E11-012-1P0			CHKD: Michael
		UNIT mm[inch]	SHEET 1 of 2
		REV 01	DATE: 2012/01/05

3. SCHMATIC :

CONNECTOR SOLDER SIDE

RJ45 CONTACT SIDE



4. ELECTRICAL CHARACTERISTICS :

TEST NOTES:(25±5°C)

1.TR:(100KHz,0.1V);

PINS:(P1-P2):(J1-J2)=1:1±3%

PINS:(P7-P8):(J3-J6)=1:1±3%

2.LX:(100KHz,100mV,8mA, DC Bias)

PINS: (P1,P2),(P7,P8)=350uH MINIMUM

3.DCR:

PINS:(J1-J2),(J3-J6)= 1.2 OHMS MAXIMUM

4.HIPOT:

PINS(P1,P3,P2)TO(J1,J2)=1500VAC FOR 60 SECONDS

PINS(P7,P6,P8)TO(J3,J6)=1500VAC FOR 60 SECONDS

5.INSERTION LOSS:

-1.0dB MAXIMUM AT 1MHz TO 100MHz;

6.RETURN LOSS:

-20dB MINIMUM AT 1MHz TO 30MHz;

-15dB MINIMUM AT 30MHz TO 60MHz

-10dB MINIMUM AT 60MHz TO 80MHz

7.CROSS TALK:

-30dB MINIMUM AT 1MHz TO 100MHz

8.COMMON TO COMMON MODE REJECTION:

-30dB MINIMUM AT 1MHz TO 100MHz

RoHS Compliant

X MULTIPLE			CONNECTING THE INFORMATION AGE	
Xmultiple Technologies, Inc.1060 Los Angeles Avenue Simi Valley, CA 93065				G/NO:
THIS DRAWING IS A CONTROLLED DOCUMENT.				DWG NO: XMF-01-0-E11-012-1P0
TITLE: RJ45 Connectors, W/O LED, Shielded/Thru Hole/10/100 Mbps /FILTER				DRAWN: Ivy Li
PART NO: XMF-01-0-E11-012-1P0				CHKD: Michael
UNIT		SHEET		REV
mm[inch]		2 of 2		01
				DATE: 2012/01/05