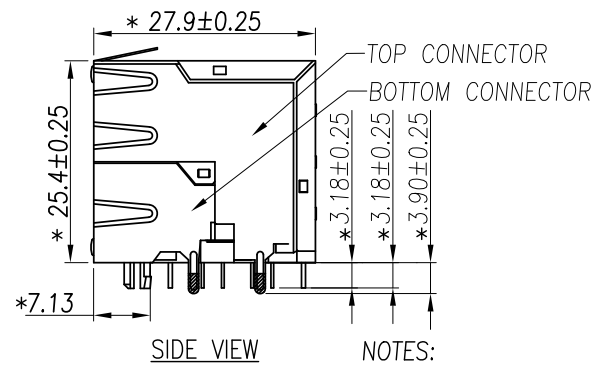
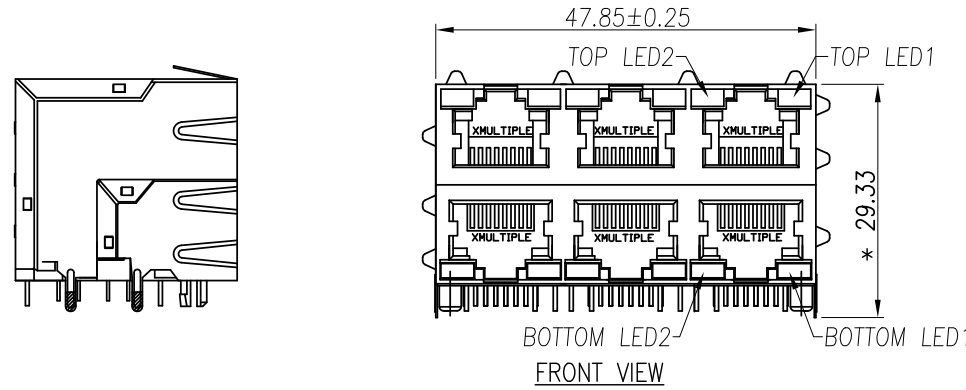
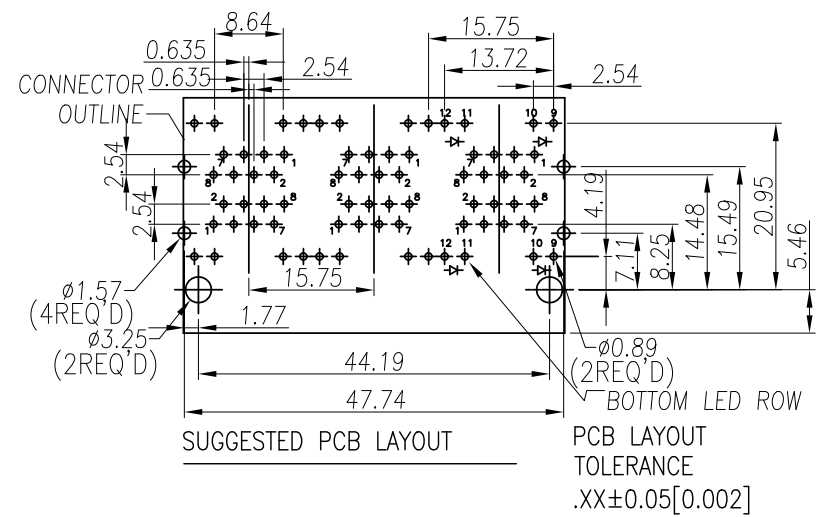


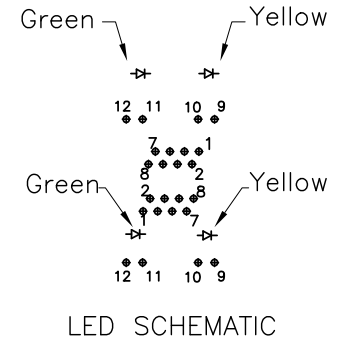
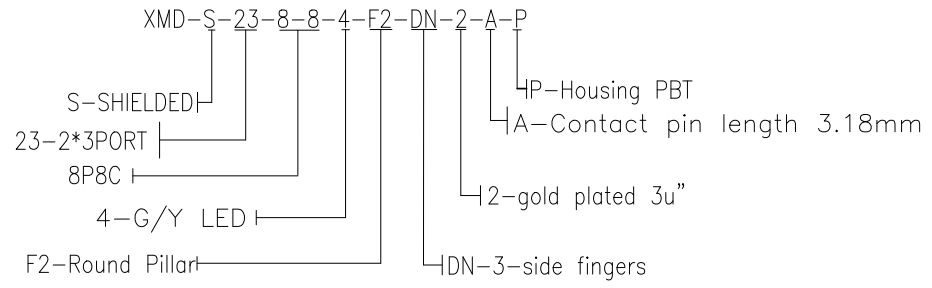
REV.	ECN.NO.	NAME	DATE
A	NEW	KEN	2010/05/11



NOTES:
 1. MATERIALS:
 HOUSING: HIGH TEMP. THERMOPLASTIC, BLACK, UL 94V-0
 CONTACTS: T=0.35 mm PHOSPHOR BORNZE, 50u" NICKEL UNDERPLATE ON ALL AREA, 150u" TIN-LEAD ON TERMINATION END, 3u" GOLD ON CONTACT AREA.
 SHIELD: T=0.25 mm COPPER ZINC ALLOY PLATED WITH 30u" NICKEL ON TERMINATION END.
 2. JACK CAVITY CONFORMS TO FCC RULES AND REGULATIONS PART 68, SUBPART F



e-Conn PART NO:



TOLERANCE UNSPECIFIED	
.	±0.5
.0	±0.38
.00	±0.25
.000	±0.10
ANGLE	±3°
MANUFACTURING COPY	

XMULTIPLE CONNECTING THE INFORMATION AGE

TITLE: RJ45 Connectors, w/LED, 8P, 8C, Shielded/Thru Hole

DRAWN BY: STEVEN	SIZE: A4	UNIT: mm	PART NO: XMD-S-23-8-8-4-F2-DN-2-A-P
CHECKED BY:	SCALE: 1:1	PROJECTION	REV: A
APPROVED BY:	DWG . PATH	SHEET: 1 OF 1	