

2*6 PORT RJ45 CONNECTOR AND LEDS

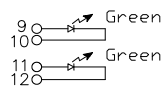
XMD-JFHB30Z00

Page : 1/2

Feature

- RJ-45 version meets Category 5 for Fast Ethernet.
- Enhanced grounding tabs on shield.
- Electrical Voltage: 125V.
- Current: 1.5A max.
- RoHS compliant.
- Recommended panel

Part Number	9,10 (Left Led)	11,12 (Right Led)
3	Green	Green



RJ45 Durability Testing Rating & Material Specification

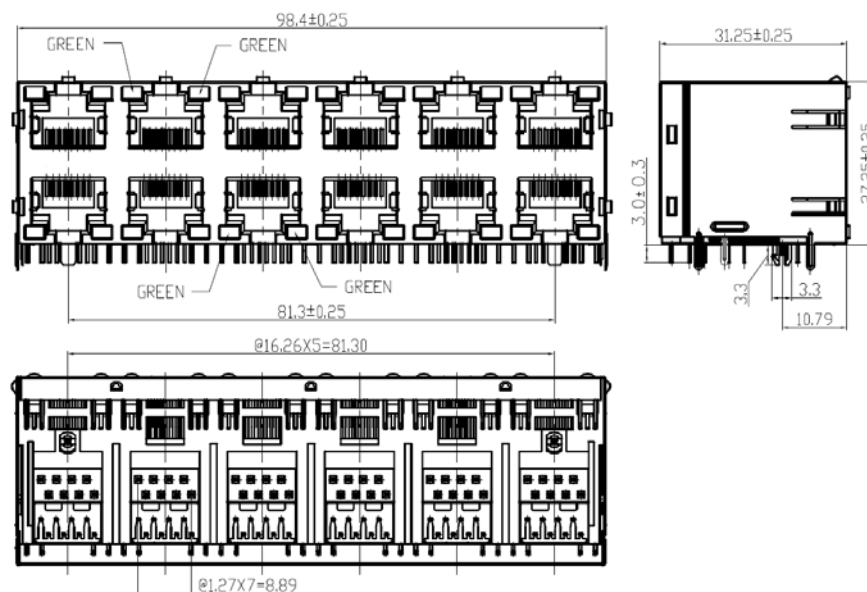
Part Number	Durability	Mating Force	Shield	
			Material	Finish
XMD-JFHB30Z00	750 Insertions	5 lbs./2.268 kgs.	Brass	10-20m inches Nickel over

RJ45 Material Specification

Part Number	Contact		Housing	
	Material	Plating Area	Material	Specification
XMD-JFHB30Z00	Phosphor Brass	10-20m inches Nickel over Selective Gold plating Fμ inches	Thermoplastic	UL 94 V-0

* Operating temperature range: 0° to +70°. Storage temperature range: -25° to +125°.

Mechanical



2*6 PORT RJ45 CONNECTOR AND LEDS

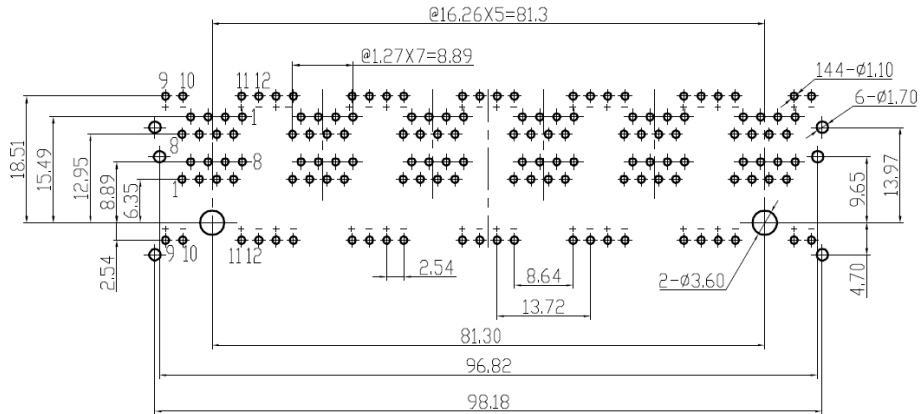
XMD-JFHB30Z00

Page : 2/2

Units: mm.

Tolerance: ± 0.25 unless specified otherwise.

PCB Layout Mounting Hole (Top View)



NOTE:

Datasheet Change History:

V0	Datasheet Set Up