

2*1 RJ45 CONNECTOR MODULE

XMD-JAKG00100

Page : 1/2

- 2*1 RJ45 connector module.
- Suitable for CAT 5 & 6 Fast Ethernet Cable or better UTP.
- RoHS compliant.



RJ45 Durability Testing Rating & Material Specification

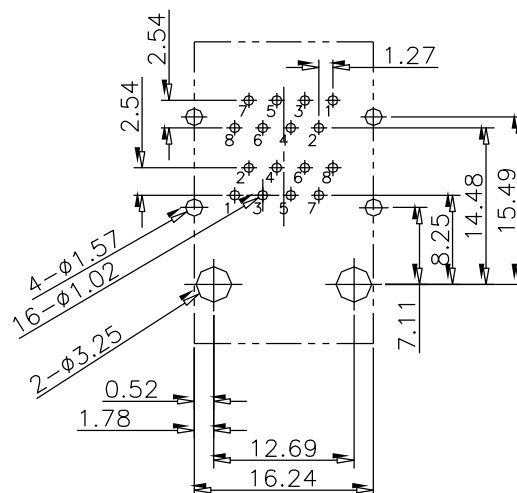
Part Number	Durability	Mating Force	Shield	
			Material	Finish
XMD-JAKG00100-MH	750 Insertions	5 lbs./2.268 kgs.	Brass	10-20m inches Nickel over

RJ45 Material Specification

Part Number	Contact		Housing	
	Material	Plating Area	Material	Specification
XMD-JAKG00100-MH	Phosphor Brass	10-20m inches Nickel over selective gold plating Fμ inches	Thermoplastic	UL 94 V-0

* Operating temperature range: -40C to +85C. Storage temperature range: -40C to +125C degrees.

PCB LAYOUT

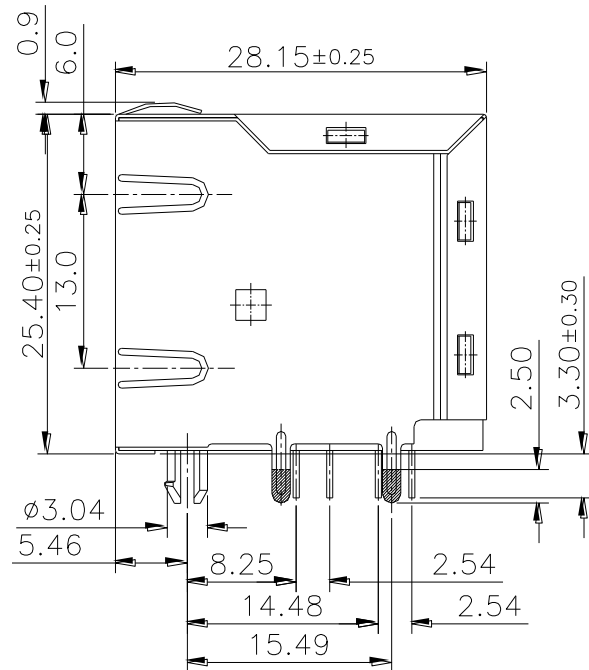
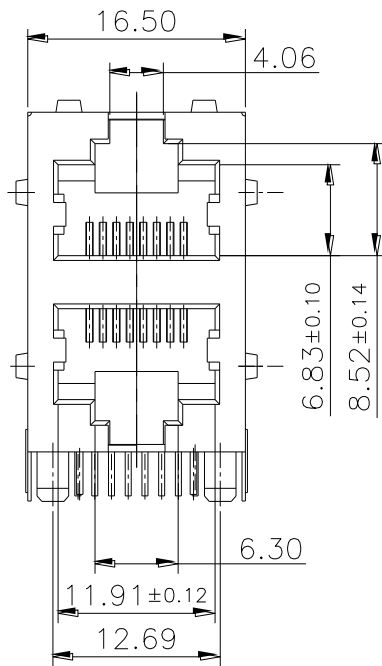


2*1 RJ45 CONNECTOR MODULE

XMD-JAKG00100

Page : 2/2

MECHANICAL



Units: mm.
Tolerance: ±0.25 unless specified otherwise.