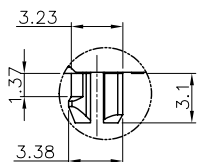
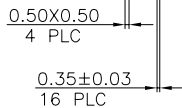
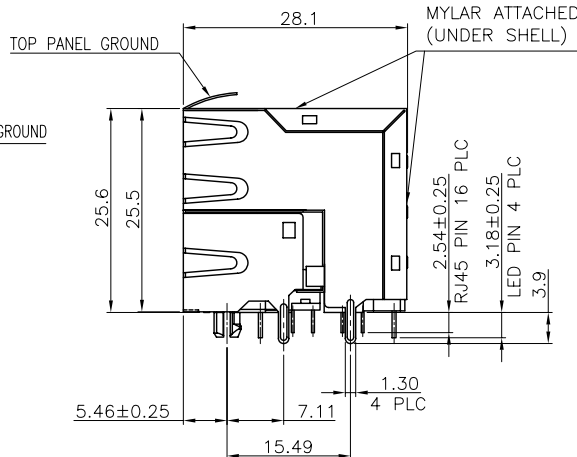
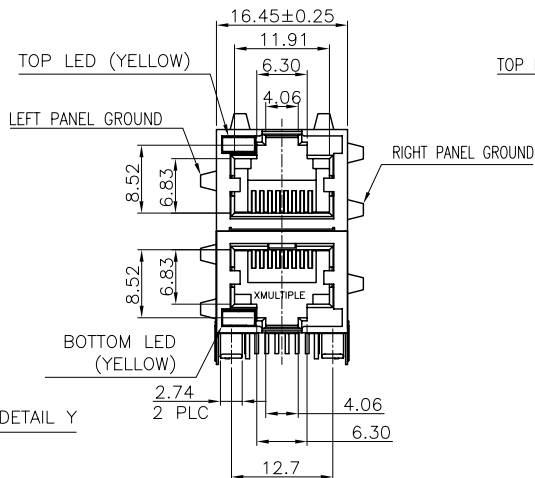
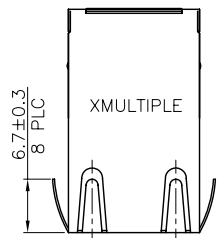
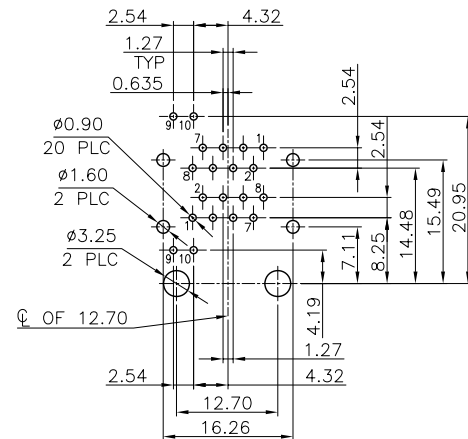
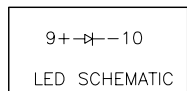
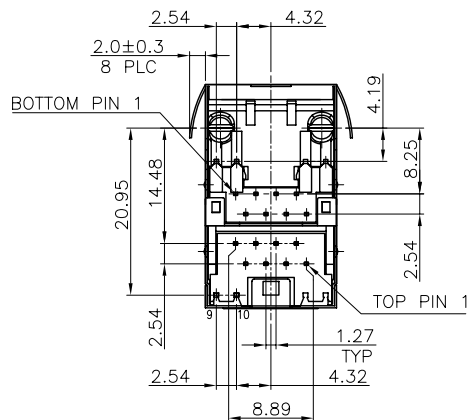


# RoHS Compliance



DETAIL Y  
SCALE 2:1



RECOMMENDED PCB LAYOUT  
RECOMMENDED PCB THICKNESS: 1.6mm  
TOLERANCE: ±0.05 (TOP VIEW)

NOTE:

CAVITY CONFIRMS TO FCC RULES AND REGULATIONS PART 68, SUBPART F.

- MATERIAL:  
HOUSING: PA46, WITH GLASS FIBER,,  
UL 94V-0, STANDARD COLOR-BLACK.  
INSERT HOUSING: PA46, WITH GLASS FIBER,  
UL 94V-0, STANDARD COLOR-BLACK.  
CONTACTS: PHOSPHOR BRONZE.  
SHELL: BRASS.  
LED SOLDER TAIL: STEEL.
- FINISH:  
CONTACTS: 0.152µm [6µ"] GOLD PLATED ON CONTACT AREA,  
2.54µm [100µ"] TIN PLATED ON SOLDER TAIL,  
WITH ENTIRE CONTACT UNDERPLATED  
1.27µm [50µ"] MIN. NICKEL  
SHELL: 0.508µm [20µ"] MIN. NICKEL PLATED.  
LED SOLDER TAIL: 2.159µm [85µ"] MIN. TIN PLATED.

THIS DRAWING IS A CONTROLLED DOCUMENT.  
DO NOT SCALE DRAWING.

DIMENSIONS: MM TOLERANCES UNLESS OTHERWISE SPECIFIED:

0 PLC	± -
1 PLC	± 0.25
2 PLC	± 0.20
3 PLC	± 0.15
ANGLES	± -

THIRD ANGLE PROJECTION

MATERIAL SEE NOTES FINISH SEE NOTES

DWN *A.HUANG* DATE AUG-30-2010

CHK *M.CHANG* AUG-30-2010

APVD *W.J.YANG* AUG-31-2010

# XMULTIPLE

TITLE STACKED RJ45 CONNECTORS, W/LED, SHIELDED, THRU HOLE, 2 PIECE STRUCTURE

SIZE CAUGE CODE DRAWING NO  
A3 - XMD-9850-8814-2-S3LT-A

WEIGHT - GRAMS Ref. REV 3 SHEET 1

LTR	DESCRIPTION	DATE	APVD
REVISIONS			