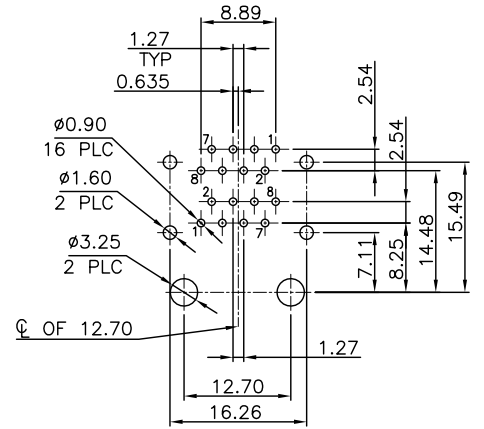
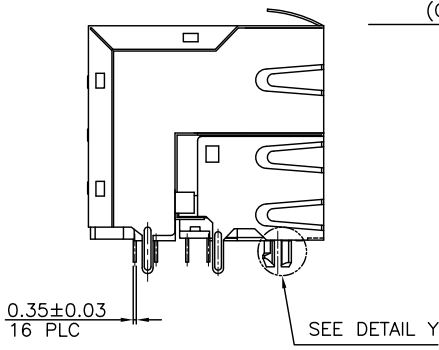
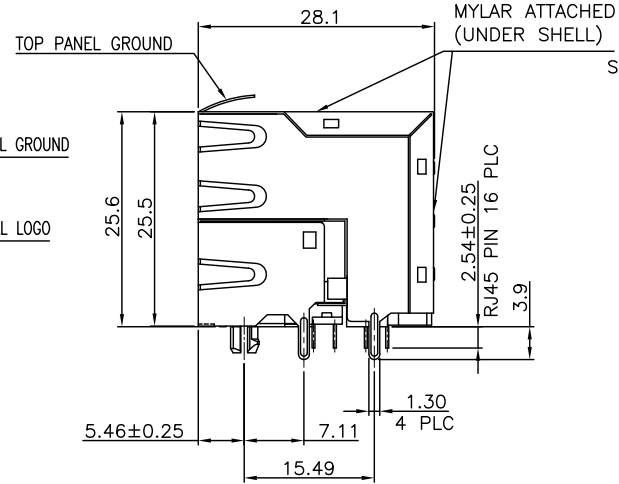
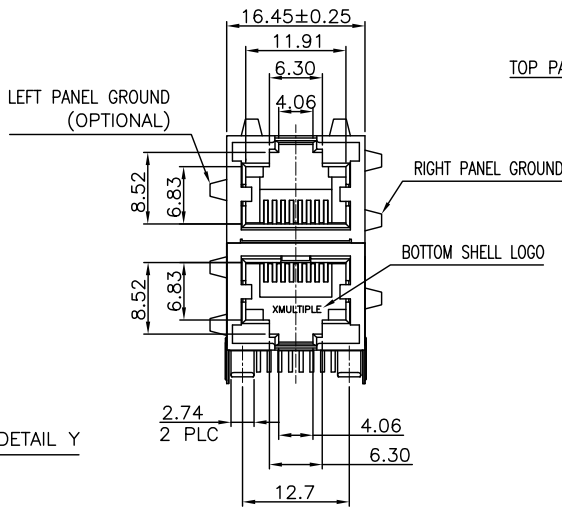
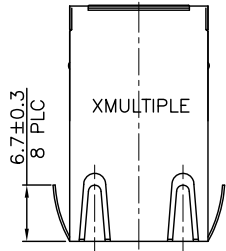
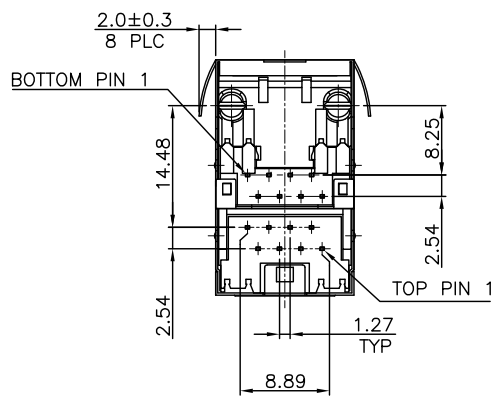
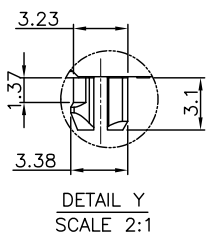


RoHS Compliance



RECOMMENDED PCB LAYOUT
 RECOMMENDED PCB THICKNESS: 1.6mm
 TOLERANCE: ±0.05 (TOP VIEW)



NOTE:
 CAVITY CONFIRMS TO FCC RULES AND REGULATIONS PART 68, SUBPART F.

1. MATERIAL:
 HOUSING: PA46, WITH GLASS FIBER,,
 UL 94V-0, STANDARD COLOR-BLACK.
 INSERT HOUSING: PA46, WITH GLASS FIBER,
 UL 94V-0, STANDARD COLOR-BLACK.
 CONTACTS: PHOSPHOR BRONZE.
 SHELL: BRASS.

2. FINISH:
 CONTACTS: 1.27μm [50μ"] GOLD PLATED ON CONTACT AREA,
 2.54μm [100μ"] TIN PLATED ON SOLDER TAIL,
 WITH ENTIRE CONTACT UNDERPLATED
 1.27μm [50μ"] MIN. NICKEL
 SHELL: 0.508μm [20μ"] MIN. NICKEL PLATED.

THIS DRAWING IS A CONTROLLED DOCUMENT. DO NOT SCALE DRAWING.	
DIMENSIONS: MM	TOLERANCES UNLESS OTHERWISE SPECIFIED:
	0 PLC ± - 1 PLC ± 0.25 2 PLC ± 0.20 3 PLC ± 0.15 ANGLES ± -
THIRD ANGLE PROJECTION	
MATERIAL SEE NOTES	FINISH SEE NOTES
DWN <i>A.HUANG</i>	DATE OCT-14-2010
CHK <i>M.CHANG</i>	OCT-14-2010
APVD <i>W.J.YANG</i>	OCT-15-2010

<h1>XMULTIPLE</h1>		
TITLE STACKED RJ45 CONNECTORS, W/O LED, SHIELDED, THRU HOLE, 2 PIECE STRUCTURE		
SIZE A3	CAUSE CODE -	DRAWING NO XMD-9850-8813-2-S3-A
WEIGHT -	GRAMS Ref.	REV 1 SHEET 1

LTR	DESCRIPTION	DATE	APVD
REVISIONS			