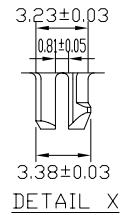
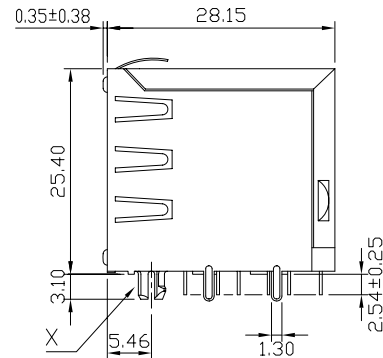
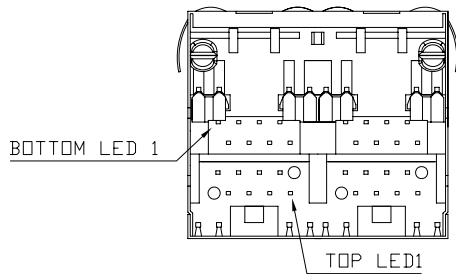
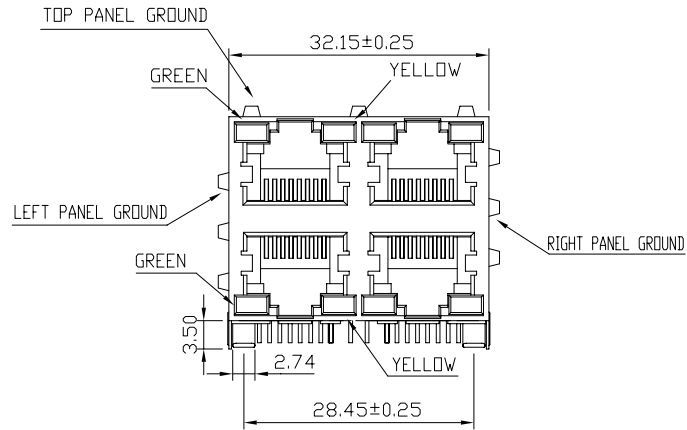
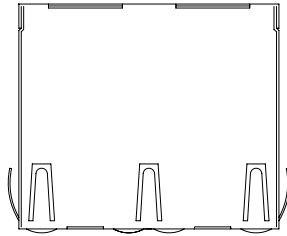
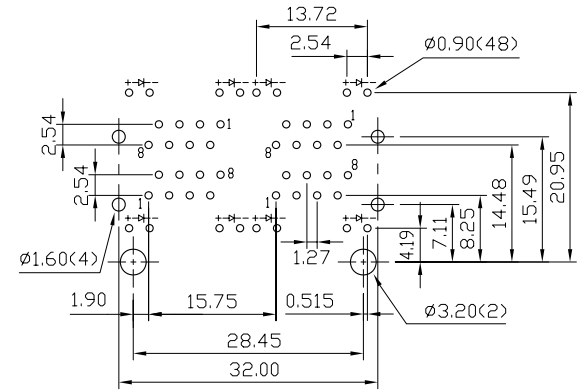


RoHS Compliance



- MATERIALS:
- HOUSING-DSM STANYL TE250F6 (NYLON-46)
HEAT DEFLECTION TEMP.290°
BLACK COLOR, UL94V-0
 - CONTACTS-0.35mm THICK PHOS-BRONZE PLATED
WITH HARD GOLD AND GOLD FLASH IN
SOLDER AREA.
 - SHIELD-0.25mm THICK COPPER ALLOY,
PLATED WITH NICKEL.
CAVITY CONFIRMS TO FCC RULES AND REGULATIONS
PART 68,SUBPART F.



DO NOT SCALE DRAWING	TOLERANCES UNLESS OTHERWISE NOTED	INCH	MM	DR. <i>M.L.HUANG</i>	DATE MAR-09 '10	<i>XMULTIPLE</i>	
THIRD ANGLE PROJECTION	LINEAR $\frac{\text{MM}}{\text{INCH}}$	$00 \pm .01$ $000 \pm .005$ $0000 \pm .002$	0.0 ± 0.25 0.00 ± 0.13 0.000 ± 0.05	CK'D <i>M.CHANG</i>	MAR-09 '10		TITLE 2X2 STACKABLE MODULAR JACK RJ45, WITH LED'S AND SHIELD
MM INCH	ANGLE $\pm 0^{\circ} 30'$	RADII	$+ 0.40$ $- 0.15$	APP'D <i>W.J.YANG</i>	MAR-09 '10		SCALE SIZE DWG.NO. XMD-9766-881X-4-S3L1-LFG-AAS