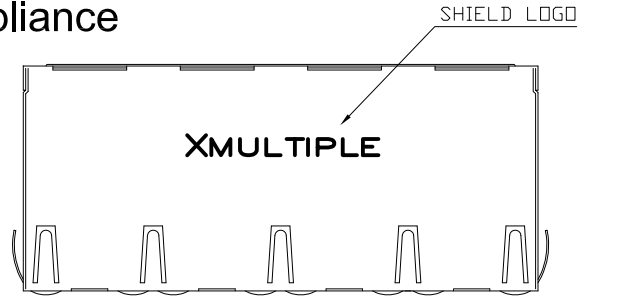
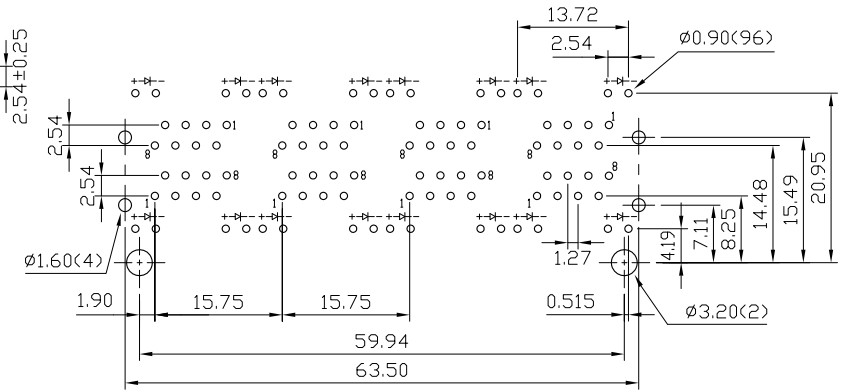
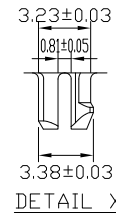
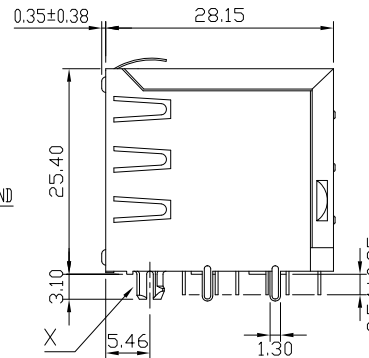
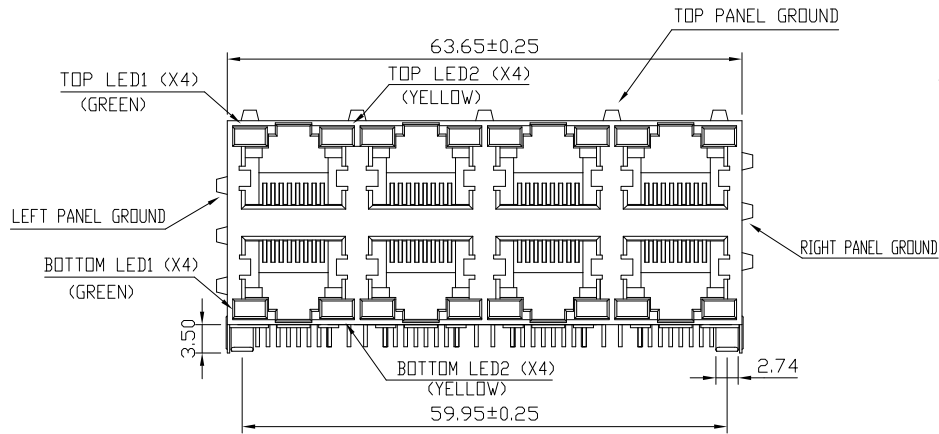


# RoHS Compliance



## MATERIALS:

- BOTTOM HOUSING-DSM STANYL TE250F6 (NYLON-46)  
HEAT DEFLECTION TEMP.290°  
BLACK COLOR, UL94V-0
- TOP HOUSING-PBT POLYESTER UL94V-0  
MIXED GLASS FIBER, BLACK COLOR.
- CONTACTS-0.35mm THICK PHOS-BRONZE PLATED  
WITH 15u" HARD GOLD ON SOLDER AREA.
- SHIELD-0.25mm THICK COPPER ALLOY,  
CAVITY COATED WITH NICKLES AND REGULATIONS



PCB LAYOUT  
Ref.

DO NOT SCALE DRAWING	TOLERANCES UNLESS OTHERWISE NOTED	INCH	MM	DR. <i>M.L.HUANG</i>	DATE SEP-05 '07
THIRD ANGLE PROJECTION	LINEAR MM INCH	00 ± .01 000 ± .005 0000 ± .002	0.0 ± 0.25 0.00 ± 0.13 0.000 ± 0.05	CK'D <i>M.CHANG</i>	SEP-05 '07
MM INCH	ANGLE ± 0° 30'	RADII	+ 0.40 - 0.15	APP'D <i>W.J.YANG</i>	SEP-06 '07

# XMULTIPLE

TITLE	2X4 STACKABLE MODULAR JACK RJ45, WITH LEDS AND SHIELD
SCALE	SIZE DWG.NO. XMD-9766-8811-8-S3L1-J