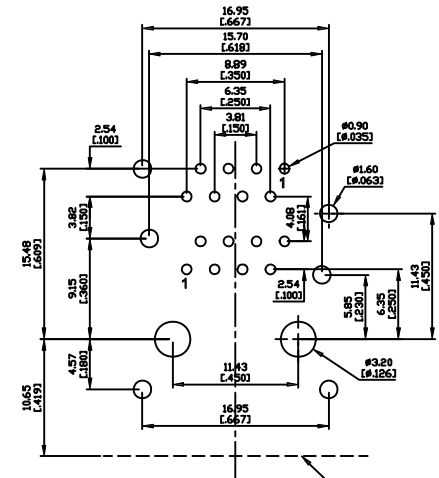
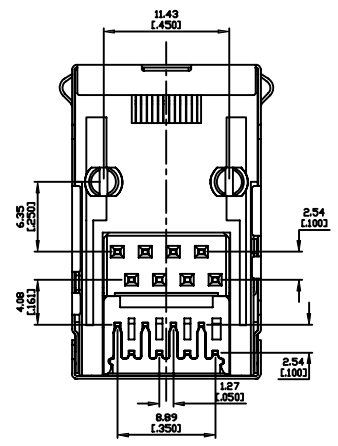
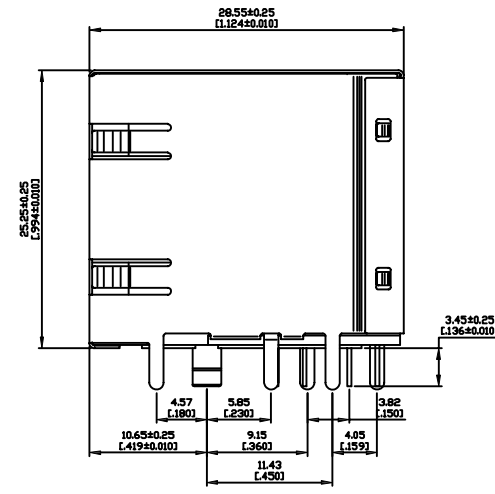
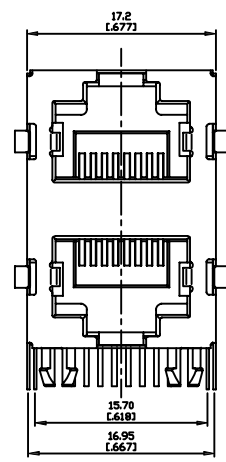


REV.	ECN. NO.	NAME	DATE
A	NEW	Bob Zou	2010/10/10



PCB EDGE

SUGGESTED PCB LAYOUT

PCB LAYOUT TOLERANCE
 .XX±0.05[0.002]

NOTES:

- MATERIALS:
 HOUSING: HIGH TEMP. THERMOPLASTIC, BLACK, UL 94V-0
 CONTACTS: T=0.35 mm PHOSPHOR BORNZE, 6u" GOLD ON CONTACT AREA.
 SHIELD: T=0.25 mm COPPER ZINC ALLOY
- JACK CAVITY CONFORMS TO FCC RULES AND REGULATIONS PART 68, SUBPART F
- UNSPECIFIED TOLERANCE: .XX ±0.25[0.010]
 .X ±0.30[0.012]

TOLERANCE	UNSPECIFIED
.0	± 0.50
.00	± 0.38
.000	± 0.25
ANGLE	± 3°
CUSTOMER	COPY

X MULTIPLE



TITLE: Stacked RJ45, Connectors, w/LED, 8P, 8C, Shielded, Thru Hole

DRAWING	Bob Zou	SIZE: A4	UNIT: mm	PART NO.: XMD-8288D-B115-D-AVT
CHECKED	Bob Zou	SCALE: FREE	PROJECTION	REV.: A
APPROVED	Ipls Aseng	DWG. PATH	C/XMD-8288D-B115-D-AVT	SHEET: 1 of 1