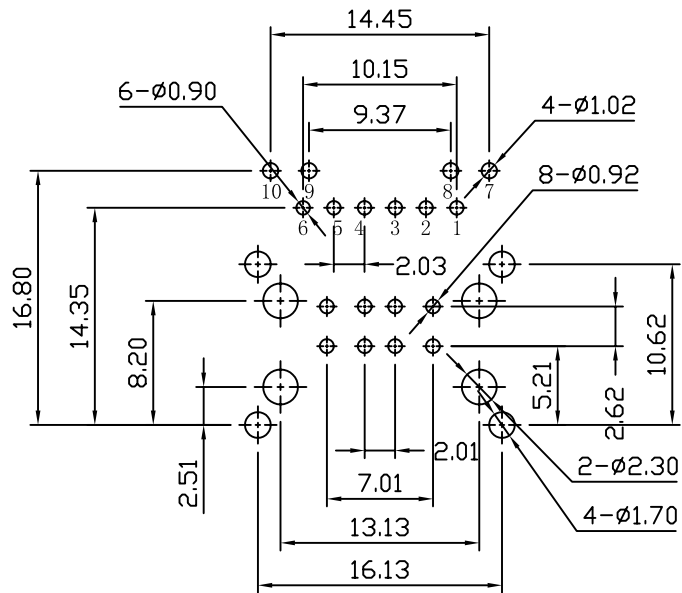
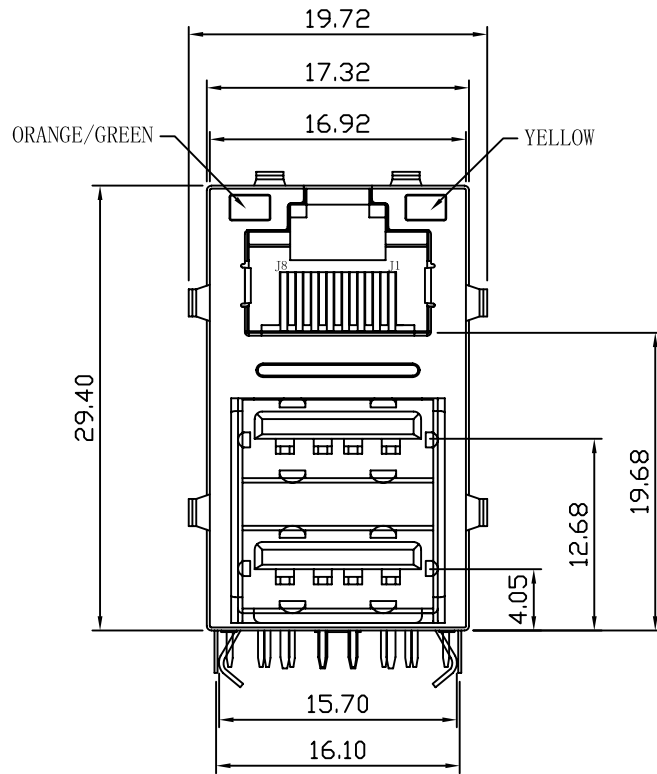
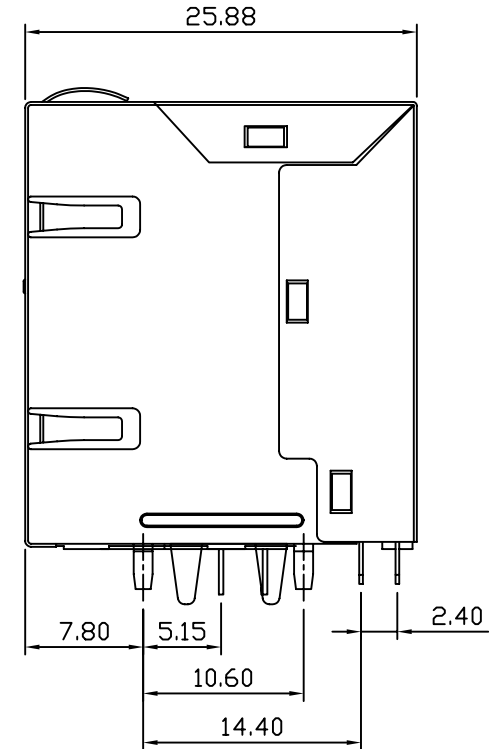


# Mechanical:



SUGGESTED PCB LAYOUT (TOP VIEW)

REV.	ECN NO.	DESCRIPTION	DATE	APPD
A	REL		30/01/2010	



## NOTES:

1. Designed to support application, such as SOHO (ADSL modems), LAN-on-Motherboard (LOM), hub and Switches.
2. Meets IEEE 802.3 specification
3. Connector Materials:  
 Housing: Thermoplastic PBT+30%G.F UL94V-0  
 Contact: Phosphor Bronze C5210 EH T=0.30mm  
 Shield: Iron T=0.2mm  
 Shield plating: TIN  
 Contact plating: Gold 6 micro-inches min. In contact area.  
 USB Contact plating: Gold Flash.



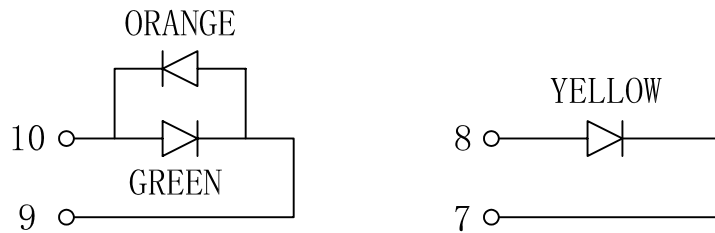
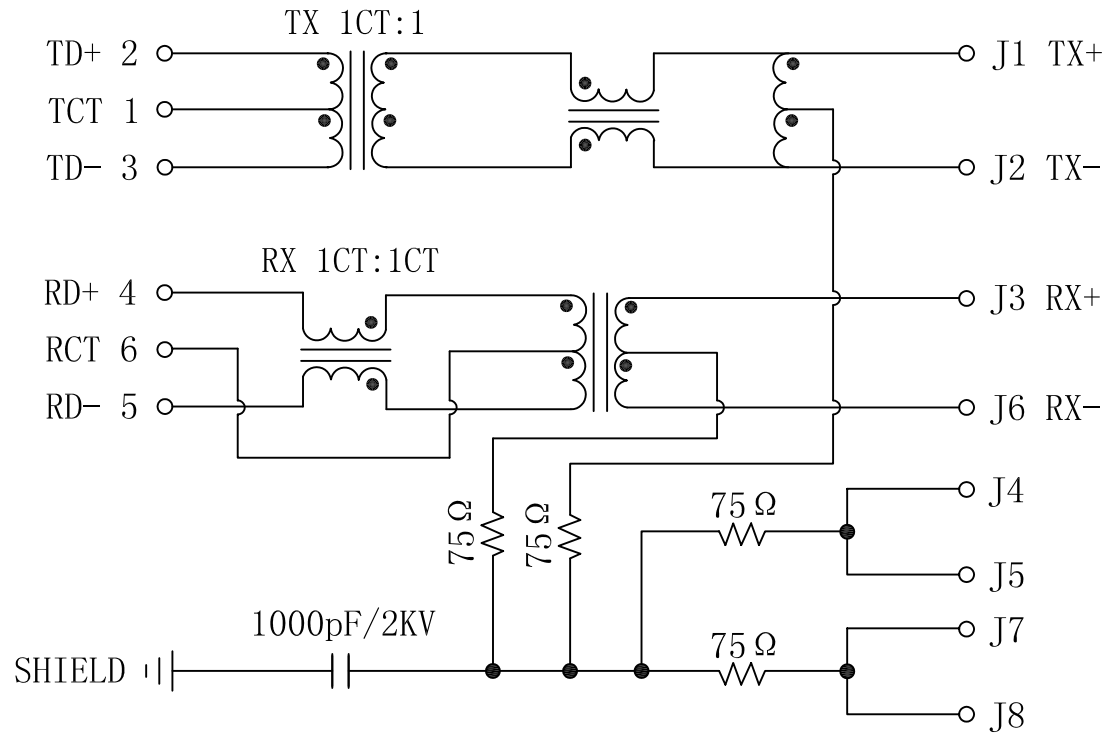
X:X	$\pm 0.25$	APPD:	<b>X</b> MULTIPLE
X:XX	$\pm 0.20$	CHKD:	
X:XXX	$\pm 0.05$	DR: C.H.Y	
ANGLES $\pm 1^\circ$		UNIT: mm	TITLE: RJ45 10/100 Base-TX Jack/Dual USB Combo
			PART NO. : XMJB-TRJU4101AONL-SER
	SCALE: 2/1	SHEET: 1/2	REV: A
			DWG NO. : TRC10013003

Schematic:

REV.	ECN NO.	DESCRIPTION	DATE	APPD
A	REL		30/01/2010	

PCB SIDE TO PHY

CABLE SIDE



ELECTRICAL SPECIFICATIONS @25°C

- Turn Ratio ( $\pm 2\%$ ):  
TX=1CT:1 RX=1CT:1CT
- Inductance OCL:  
350uH MIN@100KHz/0.1V 8mA DC Bias
- Insertion Loss:  
-1.0dB MAX @ 1.0-100MHz
- Return Loss:  
-18dB MIN @ 1-30MHz  
-15dB MIN @ 30-60MHz  
-12dB MIN @ 60-80MHz  
-10dB MIN @ 80-100MHz
- Cross talk:  
-35dB MIN @ 1-100MHz
- Common Mode Rejection:  
-40dB MIN @ 30MHz  
-35dB MIN @ 60MHz  
-30dB MIN @ 100MHz
- Hipot Test: 1500VAC 2Ses
- LED Lamp:  
Wave Length: GREEN/YELLOW: 570nm/590nm  
Forward Voltage (Vf):  
1.8V-2.6V (Test Condition: 20mA)
- Operating Temperature Range: 0°C TO 70°C



X:X	$\pm 0.25$	APPD:	<b>X</b> MULTIPLE
X:XX	$\pm 0.20$	CHKD:	
X:XXX	$\pm 0.05$	DR: C.H.Y	TITLE: RJ45 10/100 Base-TX Jack/Dual USB Combo
ANGLES	$\pm 1^\circ$	UNIT: mm	PART NO.: XMJB-TRJU4101AONL-SER
	SCALE: 2/1	SHEET: 2/2	REV: A
			DWG NO.: TRC10013003