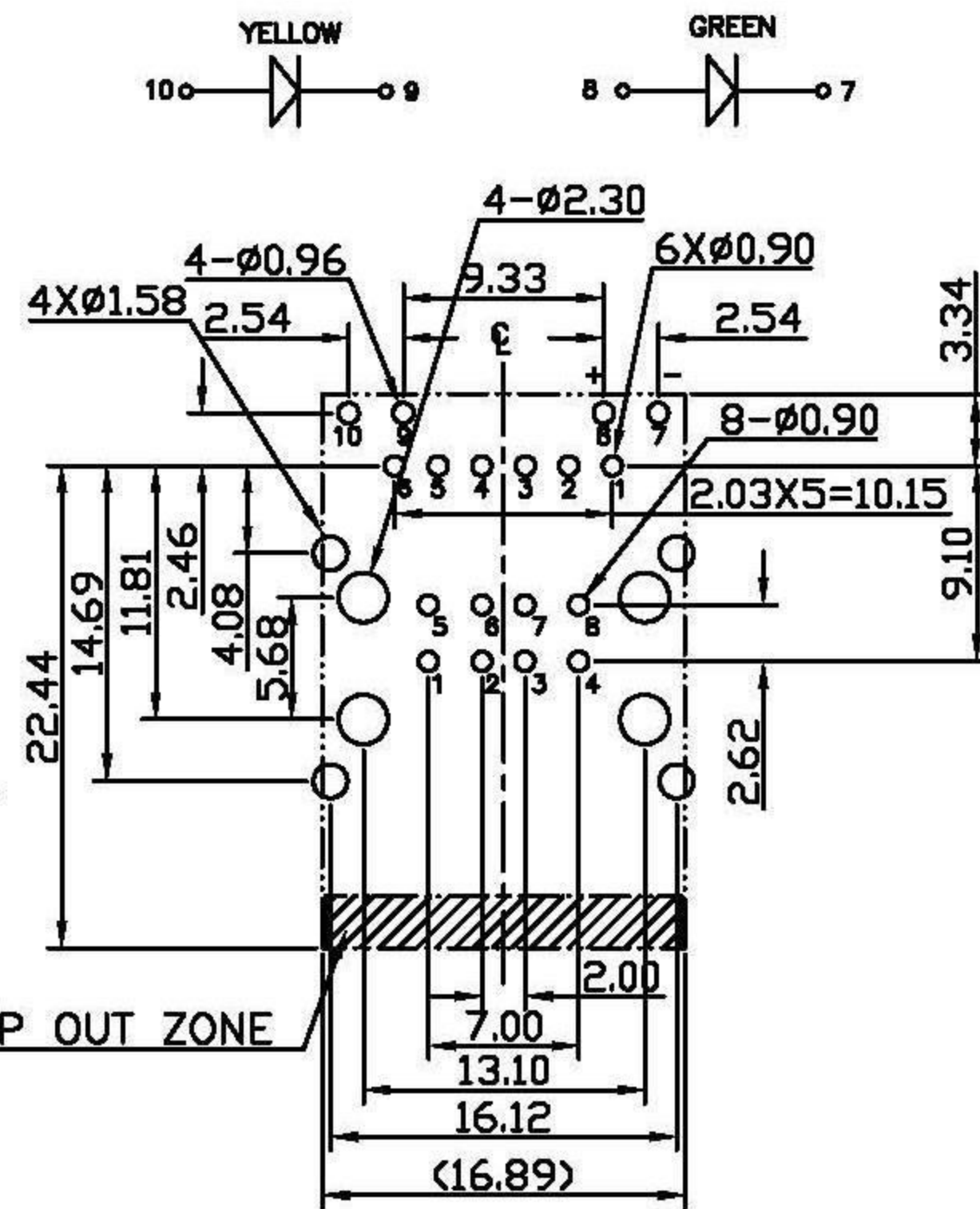
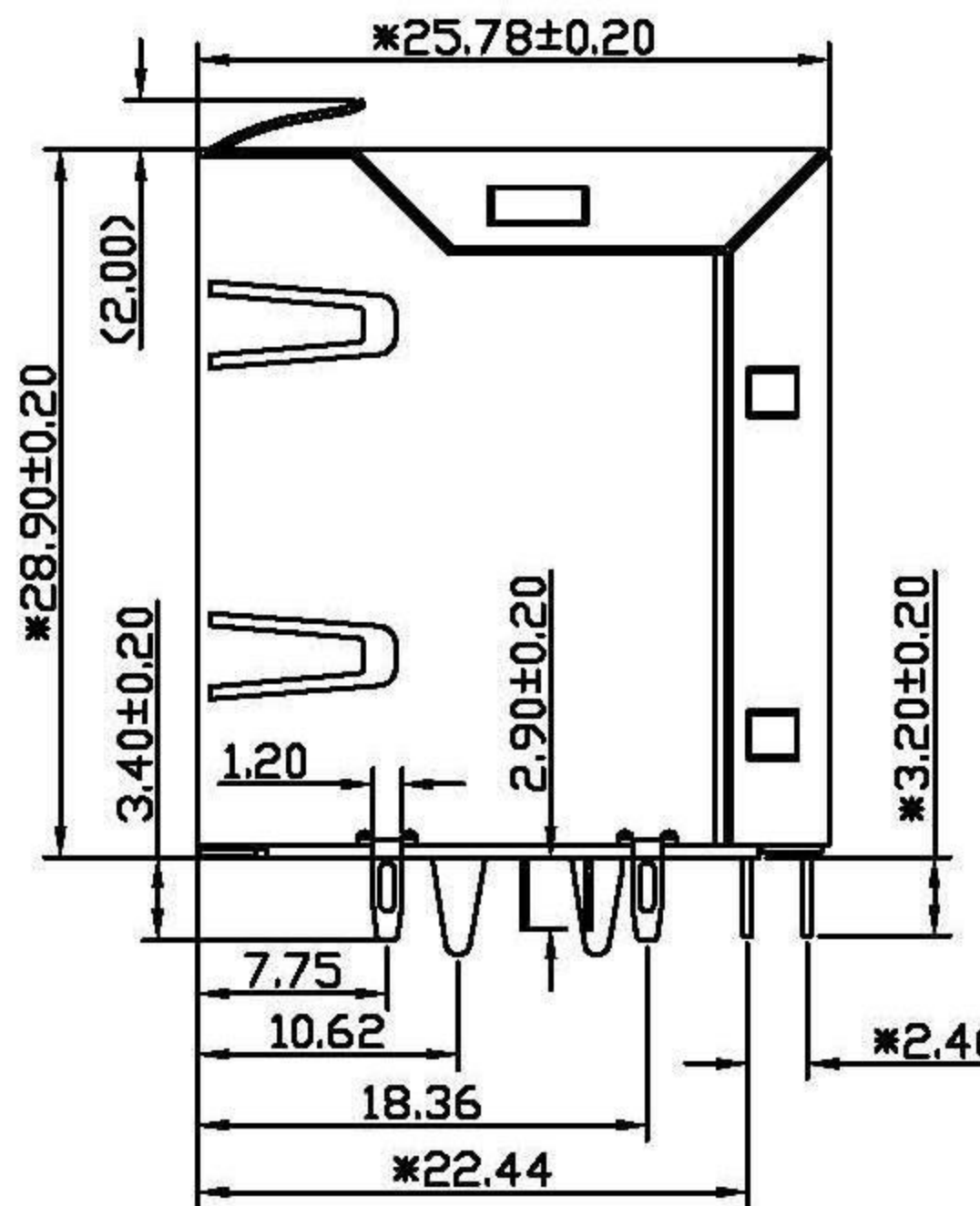
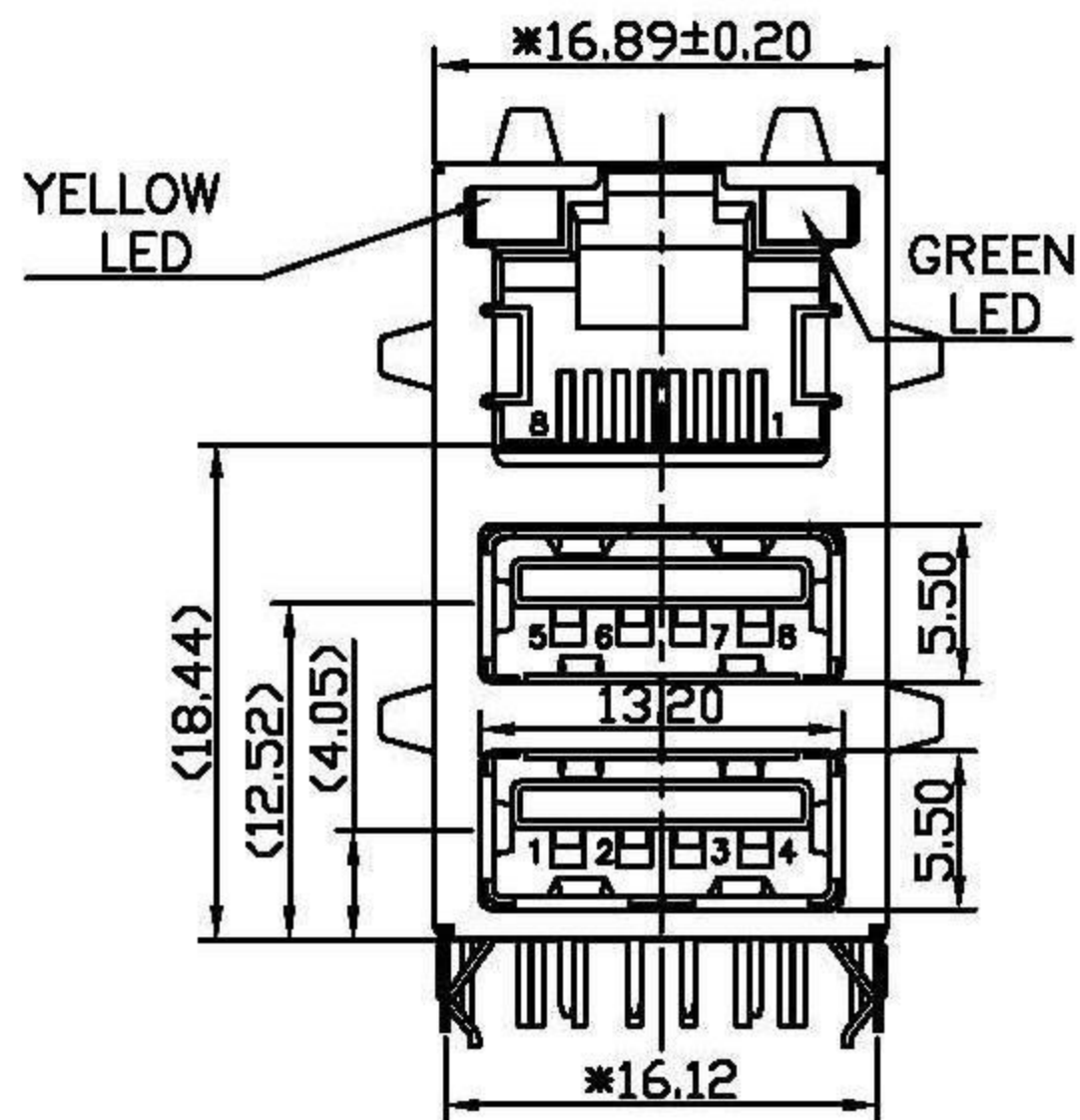


REVISION RECORD				
REV	ECD	DESCRIPTION	DRFT	CHKD



MECHANICAL:

- SHIELD MATERIAL : CARTRIDGE t=0.25mm. PLATED Nickel 50u" & OPTION PLATED Sn 100u". Tinned grounding tab, H=2.00mm(Min), W=2.10mm(Max).
- HOUSING MATERIAL : NYLON+30%.G.F(FR52) UL94V-0
- INSERT MATERIAL : PBT30%.G.F UL94V-0
- CONTACT MATERIAL : PHOSPHORUS BRONZE THICKNESS=0.35MM.
- PLATING :
 - MATING PLATING GOLD OVER NICKEL.
 - SOLDER PLATING TIN OVER NICKEL.
 - LED PINS PLATING TIN OVER NICKEL.

RJ45 SPECIFICATIONS:

- ELECTRICAL CHARACTERISTICS:
 - CURRENT RATING: 1.5 AMPERES MAXIMUM.
 - VOLTAGE RATING: 125VAC MAXIMUM.
 - INSULATION RESISTANCE: 1000 MEGAOHMS MINIMUM @ 500VDC.
 - DIELECTRIC STRENGTH: 1000VAC RMS 60HZ, 1MIN.
 - LED'S CHARACTERISTICS:
 - POWER DISSIPATION: 80MW MAX.
 - FORWARD CURRENT: 30MA MAX.
 - FORWARD VOLTAGE: 2.2 VOLTS TYPICAL.
 - REVERSE VOLTAGE: 5.0VOLTS MAX.
 - PEAR EMISSION WAVELENGTH: YELLOW/GREEN LED 568nm TYPICAL GREEN/YELLOW LED 568nm TYPICAL
- MECHANICAL CHARACTERISTICS:
 - MATING/UNMATING FORCE: 5 LBS MAXIMUM.
 - DURABILITY (MATING/UNMATING CYCLES): 750CYCLES.
 - OPERATING TEMPERATURE: -40°C TO +85°C.
 - STORAGE TEMPERATURE: -40°C TO +85°C.
 - Wave Soldering Temperature: 255~265° (5~10 SECONDS)
 - CONNECTOR TO PCB INSERTION FORCE < 8LBS.
 - PLUG TO JACK RETENTION: 30LBS MIN.

PART NUMBER: SJC88-41D2MX-L

Gold Thickness:
 1-3u" 2-6u" 3-15u"
 4-30u" 5-50u"

USB SPECIFICATIONS:

- ELECTRICAL CHARACTERISTICS:
 - CONTACT CURRENT RATING: 1 AMPERS.
 - CONTACT RESISTANCE : 30 mOHMS MAX.
 - DIELECTRIC WITHSTANDING VOLTAGE: 750 VAC RMS 60HZ, 1 MIN.
 - INSULATION RESISTANCE: 1000 MOHMS MIN @500 VDC.
- MECHANICAL CHARACTERISTICS:
 - CONTACT MATING FORCE: 34.3N(3.5kg) MAX.
 - CONNECTOR UNMATING FORCE : 9.8N(1.0kg) MIN.
 - DURABILITY: 1500 CYCLES.
 - OPERATING TEMPERATURE: 0°C TO +70°C.

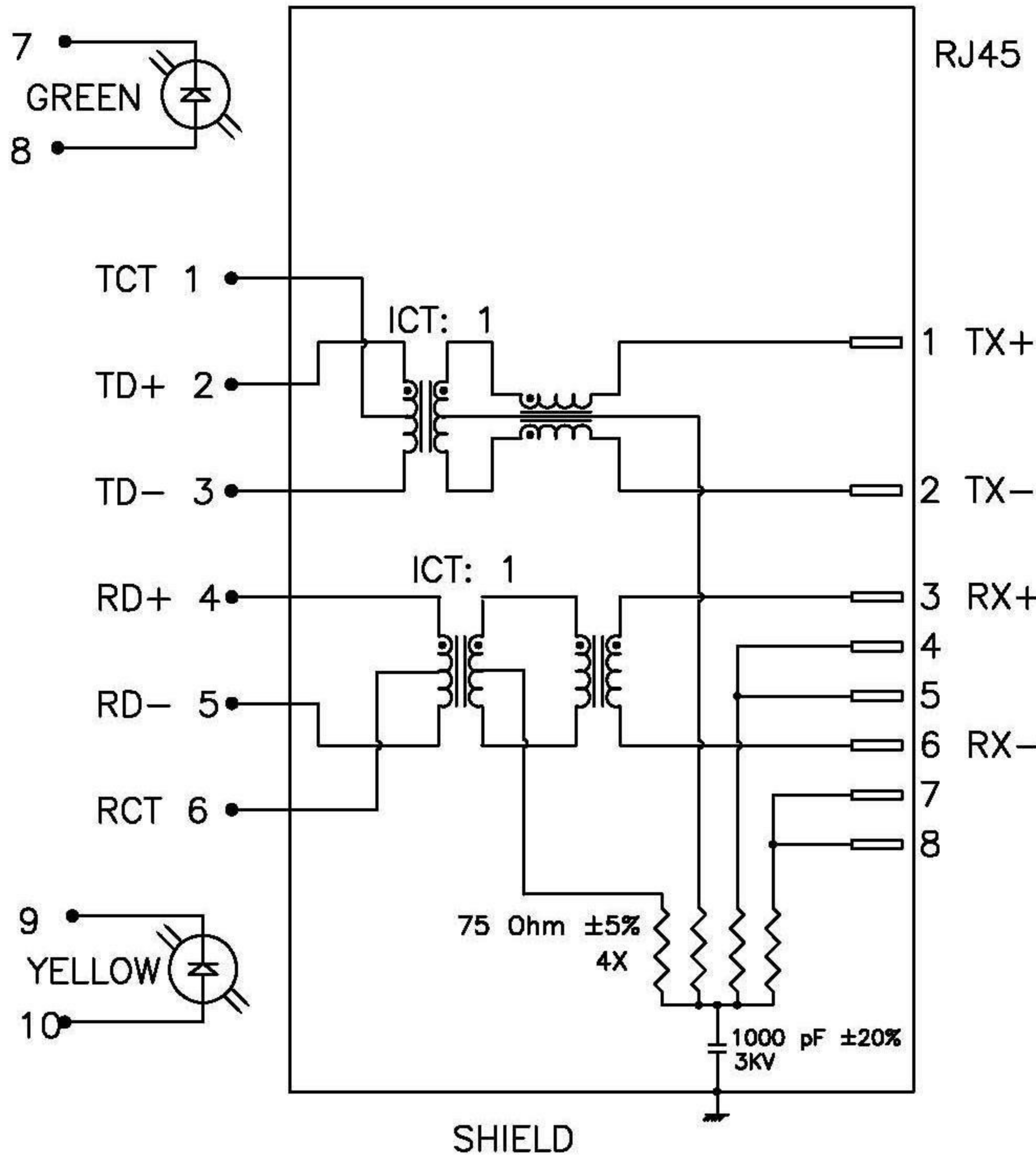
TRACE KEEP OUT ZONE

PC Board Layout
Component Side Shown

DETACHED LISTS DIM Ø ± 0.20 .06 ± 0.15 .080 ± 0.075 ANGLES ± THIRD ANGLE PROJECTION	DFTD JERRY DATE 03/08/05 CHKD DATE MFD DATE	XMULTIPLE	
	APPVL ALANN DATE 03/10/05 MATERIAL :		
	QT'Y : FINISH:	TITLE COMBO JACK (FOUR IN ONE)	
	SCALE :	DRAWING NO. XMB-TS-70010-1 /PART NO. SEE NOTE	SIZE A3 REV 0

REVISION RECORD				
REV	ECD	DESCRIPTION	DRFT	CHKD

SCHEMATIC



ELECTRICAL CHARACTERISTICS @ 25°C

URNS RATIO

TX ICT: 1
RX ICT: 1

DCL @100KHz/100mVRMS 350uH MIN

8mA DC BIAS

INS. LOSS -1.0dB MAX

1MHz TO 100MHz

RET.LOSS(MIN)

1MHz-30MHz -18dB

30MHz-60MHz -18+20LOG(F/30MHz)dB

60MHz-80MHz -12dB

CROSS TALK (TX - RX) -35dB MIN

100KHz-100MHz

CM TO CM REJ -30dB MIN

100KHz-100MHz

CM TO DM REJ -35dB MIN

100KHz-100MHz

HIPDT (Isolation voltage): 2500 Vdc

TOLERANCES EXCEPT AS NOTED MM .3 ± 0.20 .00 ± 0.15 .000 ± 0.075 ANGLES ± THIRD ANGLE PROJECTION	APPVL ALANN DATE 03/10/05	XMULTIPLE	
	MATERIAL :		
	QT'Y :	TITLE COMBO JACK (FOUR IN ONE)	
	FINISH: SCALE :	DRAWING NO. XMB-SJC-006D /PART NO. SEE NOTE	SIZE A3
DO NOT SCALE DRAWING		SHEET X OF Y	