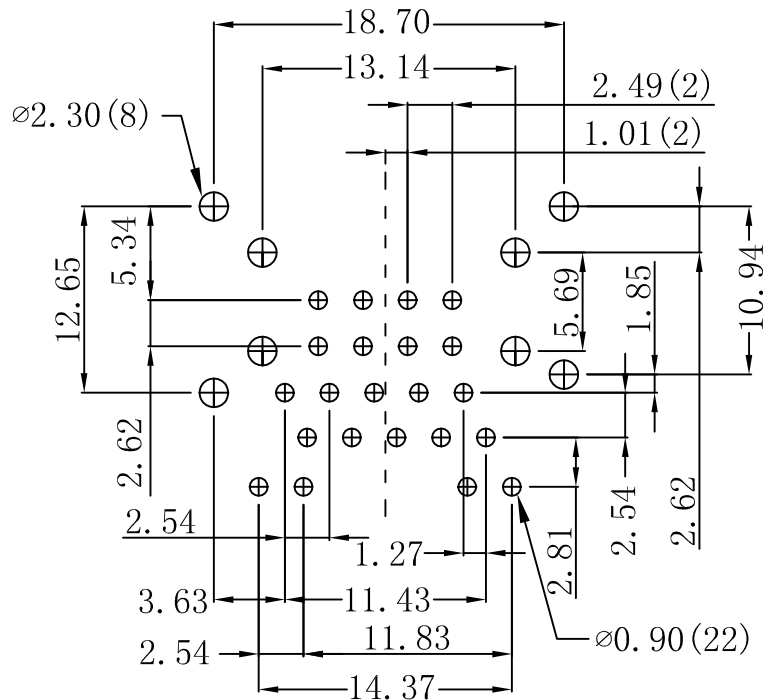
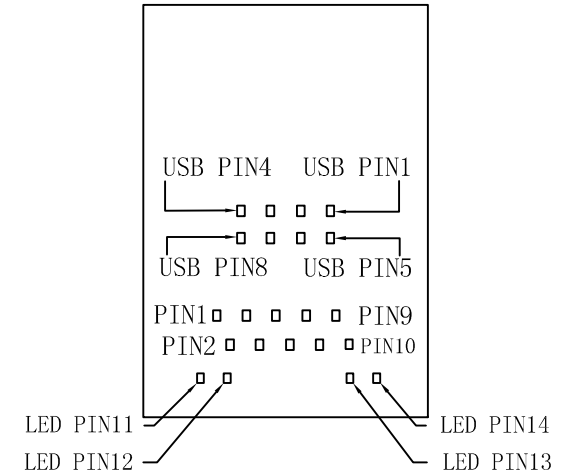
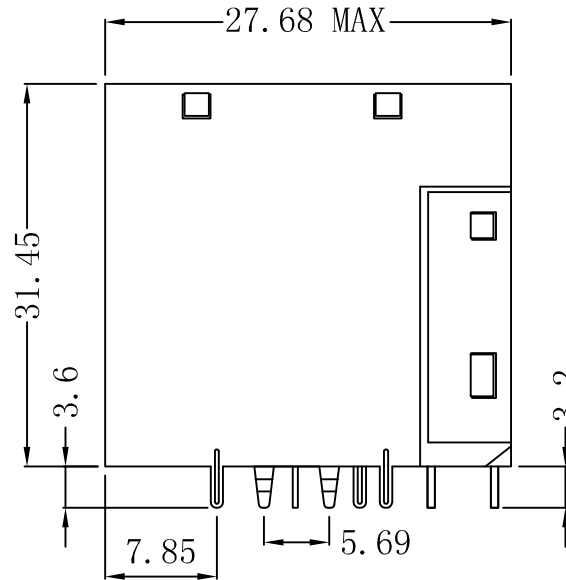
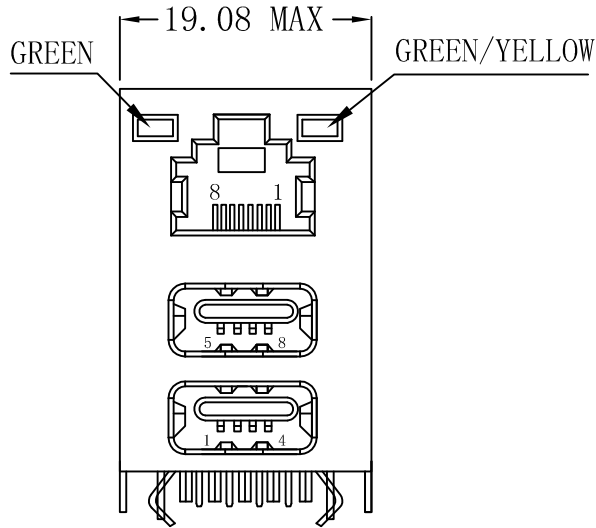


# Mechanical:

REV.	ECN NO.	DESCRIPTION	DATE	APPD
A	REL		17/08/2009	



SUGGESTED PCB LAYOUT (TOP VIEW)

## NOTES:

1. Designed to support application, such as SOHO (ADSL modems), LAN-on-Motherboard (LOM), hub and Switches.
2. Meets IEEE 802.3 specification
3. Connector Materials:  
 Housing: Thermoplastic UL94V-0  
 Contact/Shield: Copper alloy  
 Shield plating: Nickel  
 RJ-45 Contact plating: Gold 6 micro-inches min. In contact area  
 USB Contact plating: Gold Flash.
4. Wave peak temperature: 260°C, 5Sec.
5. UL Certification: File Number E321120

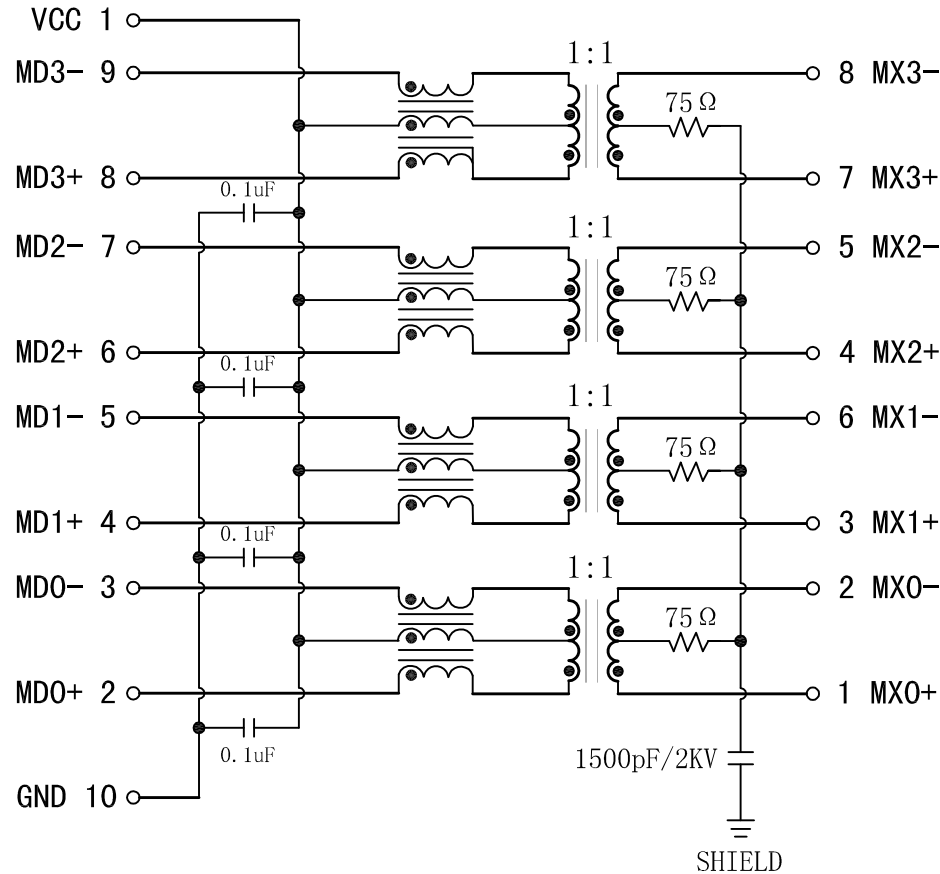


X:X	±0.30	APPD:	<b>X</b> MULTIPLE
X:XX	±0.20	CHKD:	
X:XXX	±0.10	DR: leo	TITLE: RJ45 10/100/1000BASE-TX JACK/ Dual USB Combo
ANGLES	±1°	UNIT: mm	PART NO.: XMB-TRJU5303B50NL-CGT
	SCALE: 2/1	SHEET: 1/2	REV: A
			DWG NO.: TRC10022503

# Schematic:

REV.	ECN NO.	DESCRIPTION	DATE	APPD
A	REL		17/08/2009	

PCB CONNECTIONS



CABLE

## Electrical Specifications @25°C

### 1. TURNS RATIOS:

TX=1:1      RX=1:1

### 2. LX(100KHz, 100mV, 8mA, DC Bias):

350uH MIN

### 3. HIPOT: 1500Vrms

### 4. INSERTION LOSS:

-1.0dB MAX @ 1MHz TO 100MHz

### 5. RETURN LOSS(@100 Ω):

-18dB MIN @ 1MHz TO 30MHz

-16dB MIN @ 30MHz TO 60MHz

-12dB MIN @ 60MHz TO 80MHz

### 6. CROSS TALK:

-40dB MIN @ 1MHz TO 10MHz

-35dB MIN @ 30MHz TO 60MHz

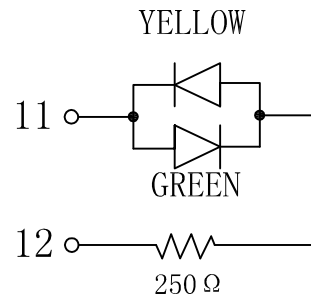
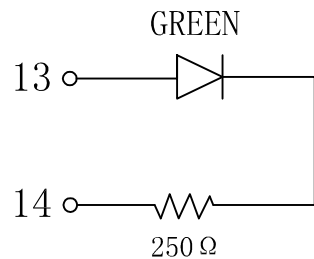
-30dB MIN @ 60MHz TO 100MHz

### 7. COMMON MODE REJECTION:

-30dB MIN @ 1MHz TO 50MHz

-20dB MIN @ 50MHz TO 150MHz

### 8. OPERATING TEMPERATURE: 0°C ~ +70°C.



X:X	±0.30	APPD:	<b>XMULTIPLE</b>
X:XX	±0.20	CHKD:	
X:XXX	±0.10	DR: leo	TITLE: RJ45 10/100/1000BASE-TX JACK/ Dual USB Combo
ANGLES	±1°	UNIT: mm	PART NO.: XMB-TRJU5303B50NL-CGT
	SCALE: 2/1	SHEET: 2/2	REV: A      DWG NO.: TRC10022503